

[54] CARRYING CASE FOR DOCUMENTS OR THE LIKE

[76] Inventors: Michel Wajs; Helene Wajs, both of Rue de Fiennes 61, 1070 Bruxelles, Belgium

[\*\*] Term: 14 Years

[21] Appl. No.: 49,479

[22] Filed: Jun. 18, 1979

[51] Int. Cl. .... D3-01

[52] U.S. Cl. .... D3/52; D3/53; D3/79

[58] Field of Search ..... D3/30, 42, 48, 52, 53, D3/56, 71, 76, 79; 150/28 R, 34, 1.6, 52 B, 39

[56] References Cited

U.S. PATENT DOCUMENTS

D. 256,632	9/1980	Workman	.....	D3/71
1,907,676	5/1933	Roth	.....	150/1.6
2,884,980	5/1959	Miller	.....	150/39

OTHER PUBLICATIONS

Hazel Cat. 1971/72, p. 4, Item R-217.

Primary Examiner—George P. Word  
Attorney, Agent, or Firm—Robert E. Burns; Emmanuel J. Lobato; Bruce L. Adams

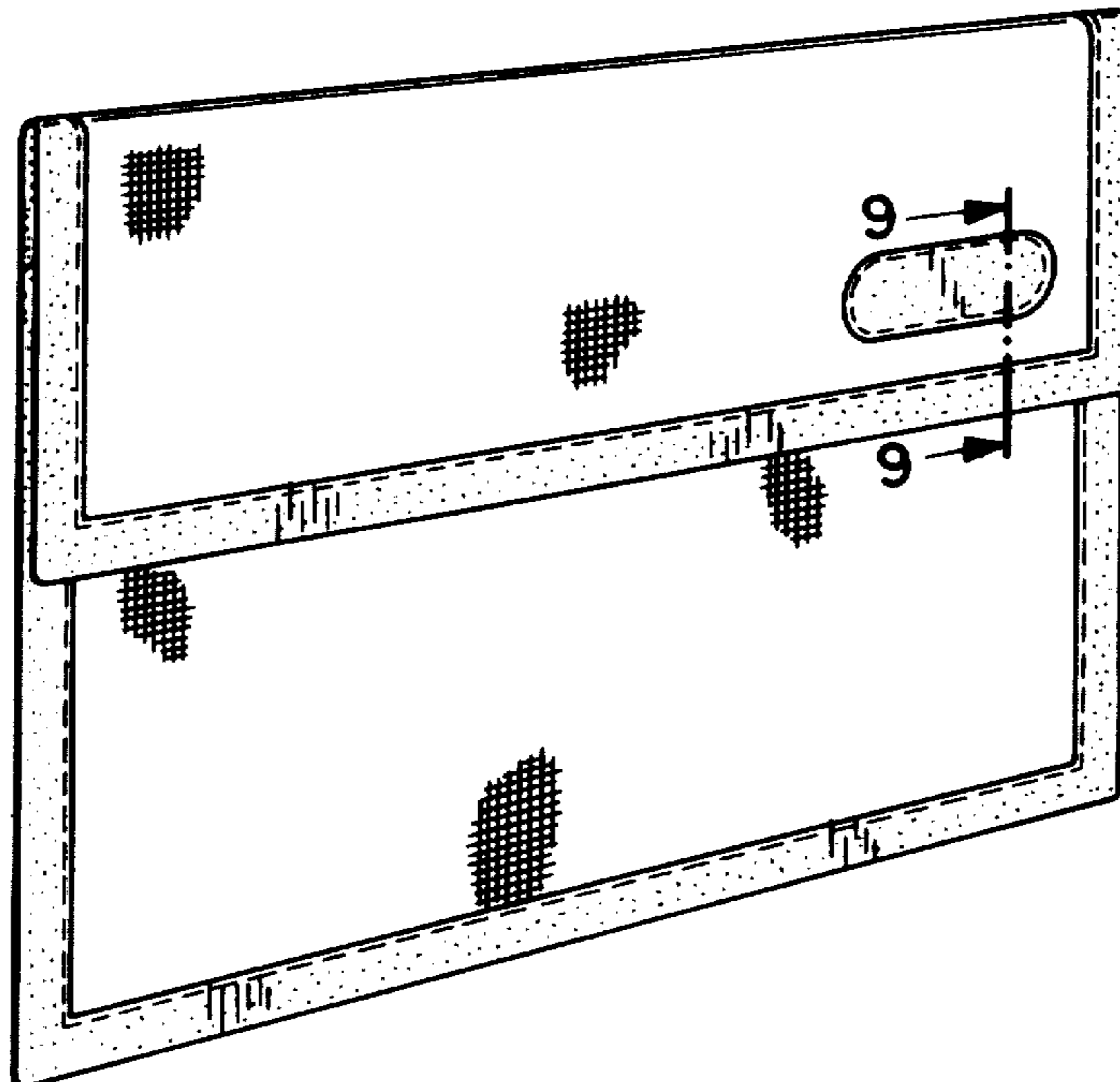
[57] CLAIM

The ornamental design for a carrying case for documents or the like, as shown and described.

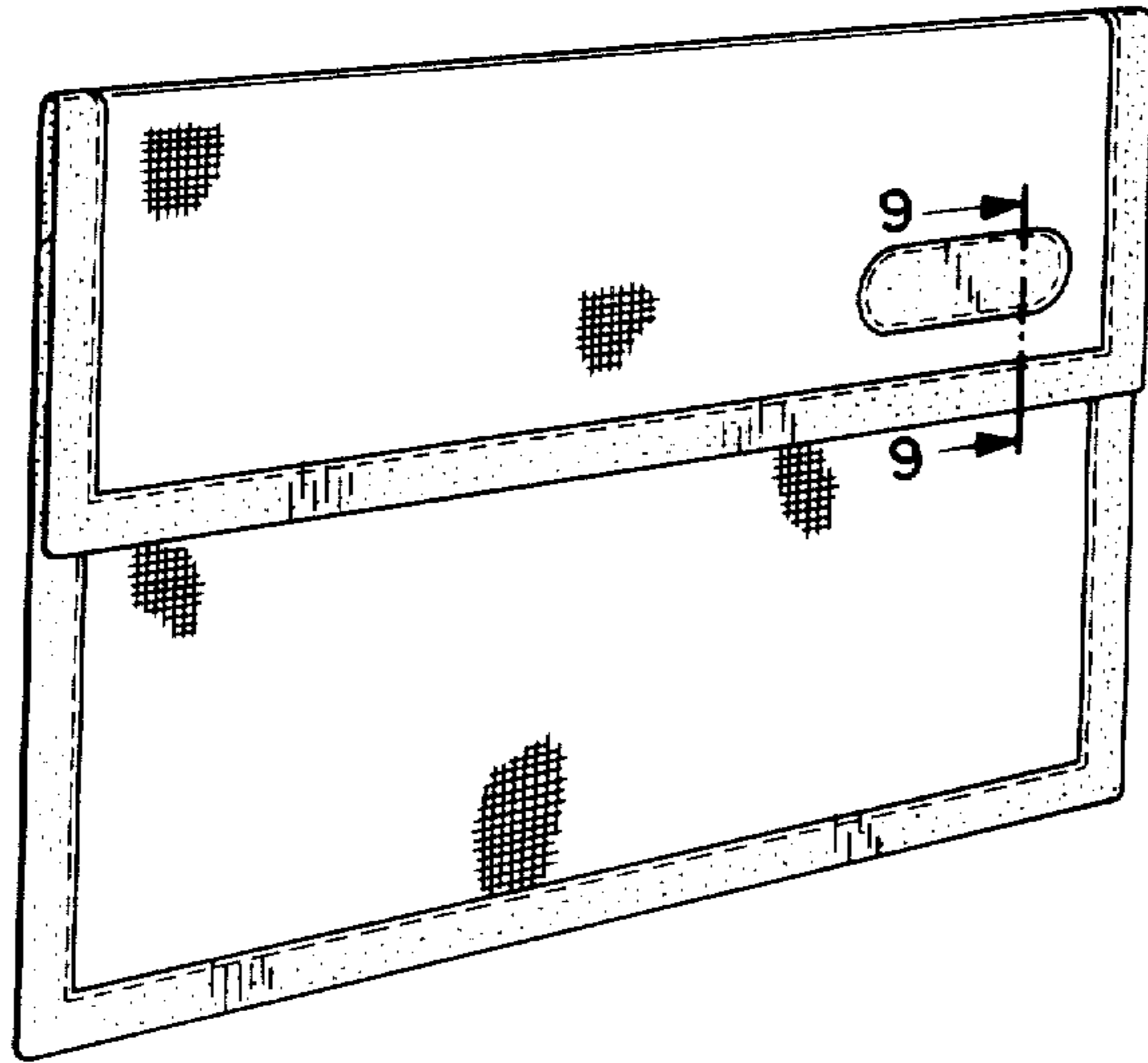
DESCRIPTION

FIG. 1 is a perspective view of a carrying case for documents or the like showing our new design; FIG. 2 is a perspective view thereof with the flap in the open position; FIG. 3 is a front elevational view thereof with the flap closed; FIG. 4 is a left side elevational view thereof; FIG. 5 is a right side elevational view thereof; FIG. 6 is a top plan view thereof; FIG. 7 is a rear elevational view thereof; FIG. 8 is a bottom plan view thereof; and FIG. 9 is an enlarged scale fragmentary sectional perspective view of the flap taken along line 9-9 of FIG. 1.

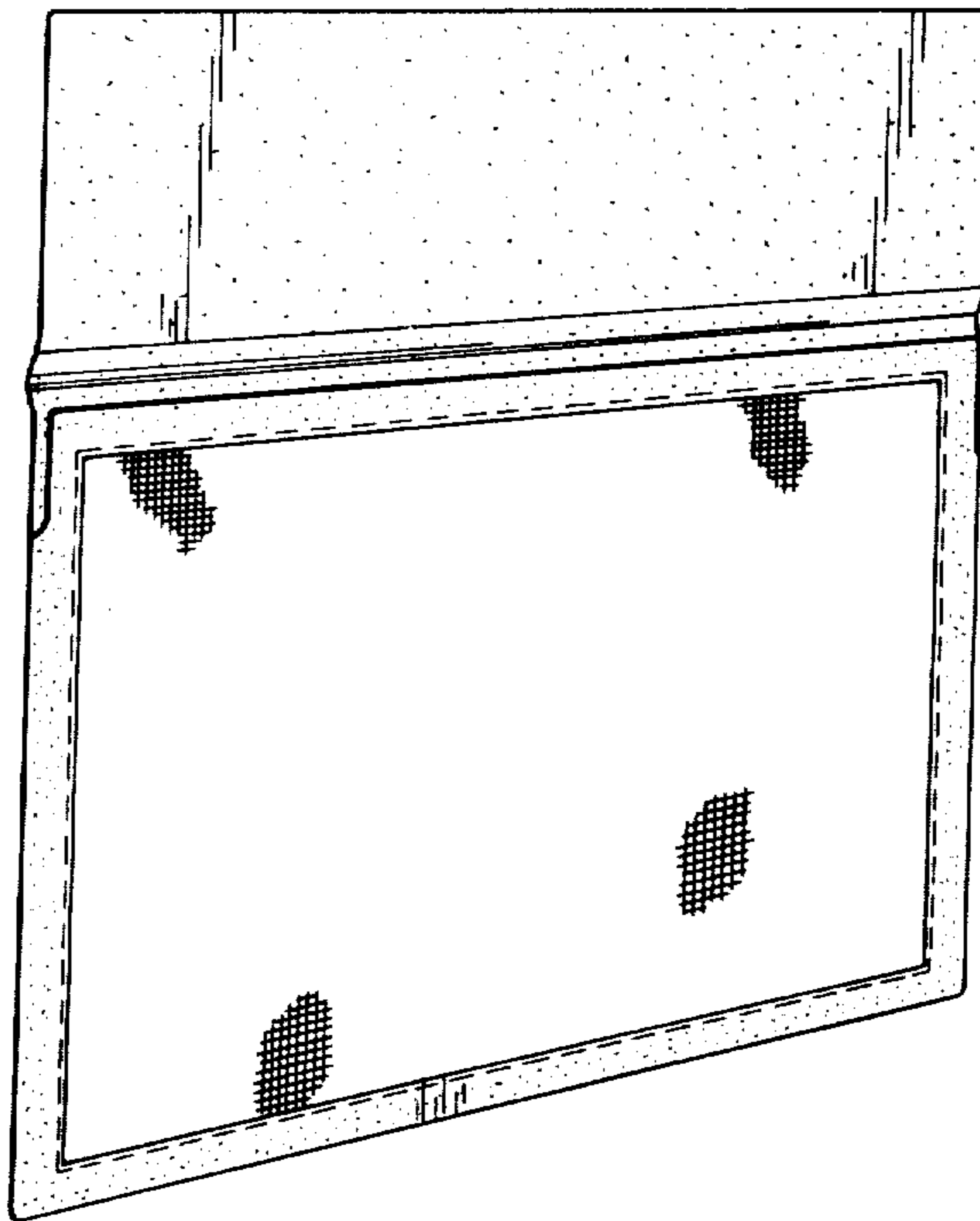
The characteristic feature of the design resides in the simulated stitching in combination with the contrasting surface textures of which adjacent portions are in substantially the same plane.



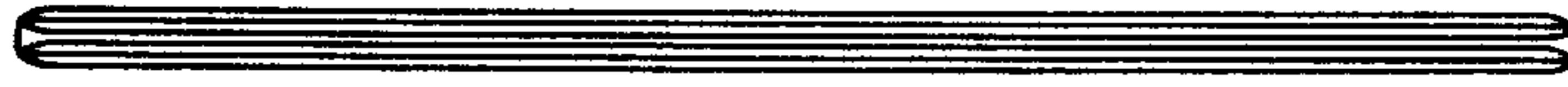
***Fig. 1***



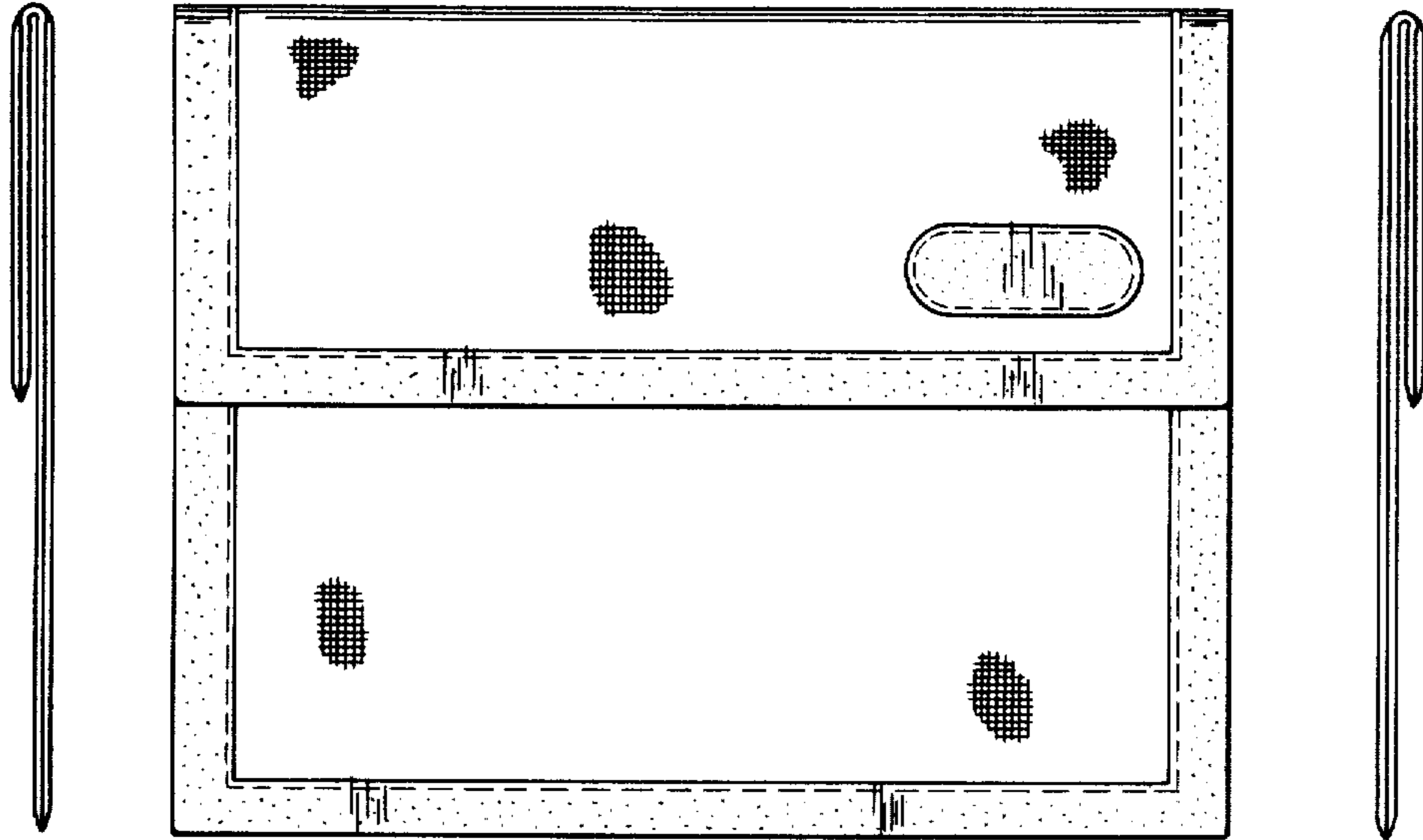
***Fig. 2***



**Fig. 8**

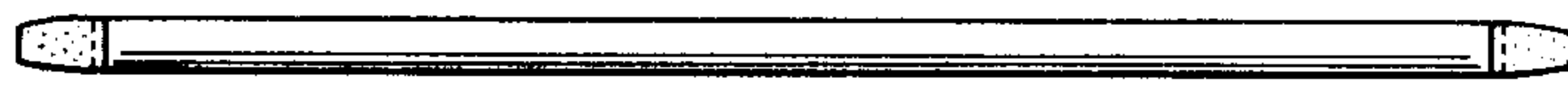


**Fig. 3**

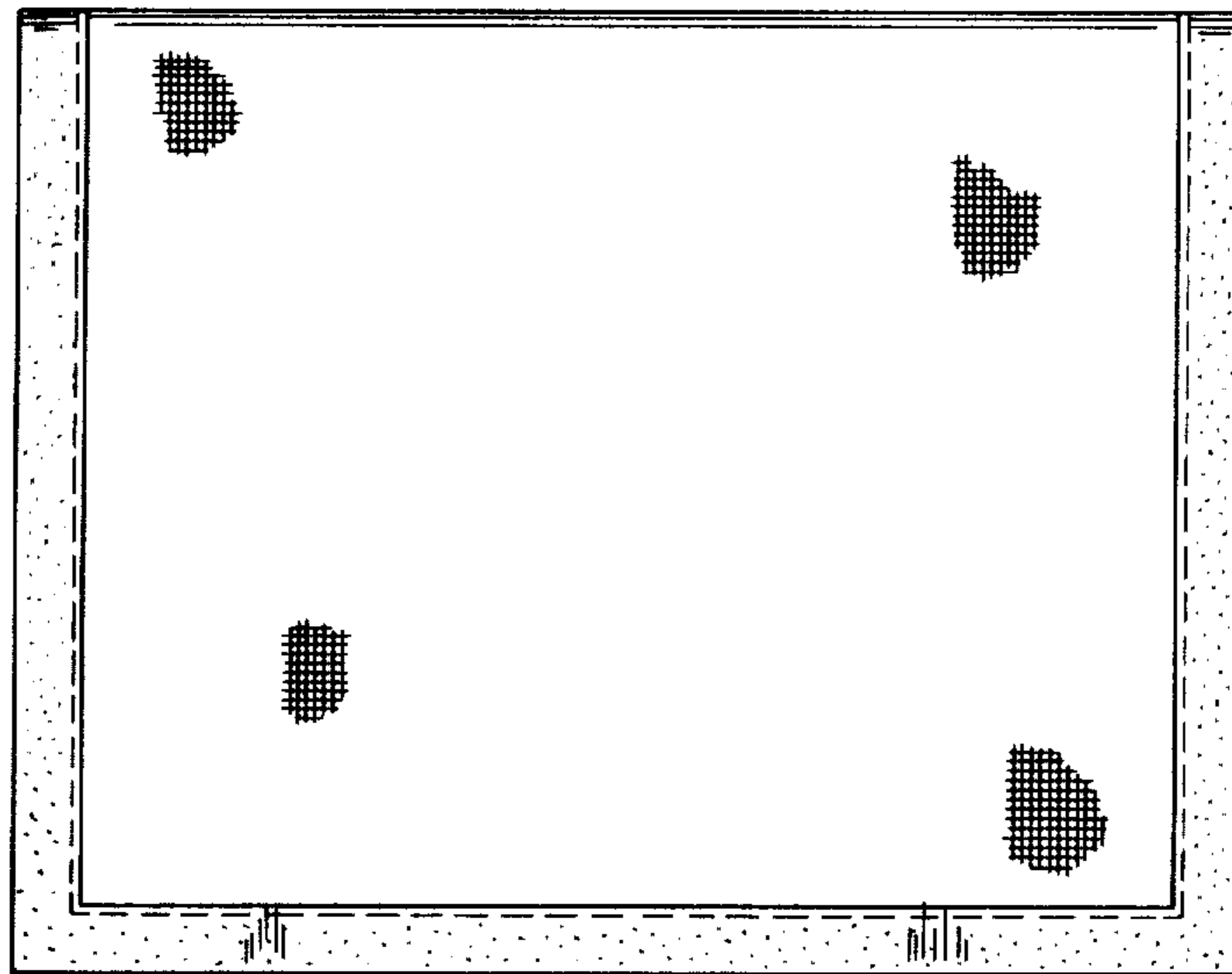


**Fig. 5**

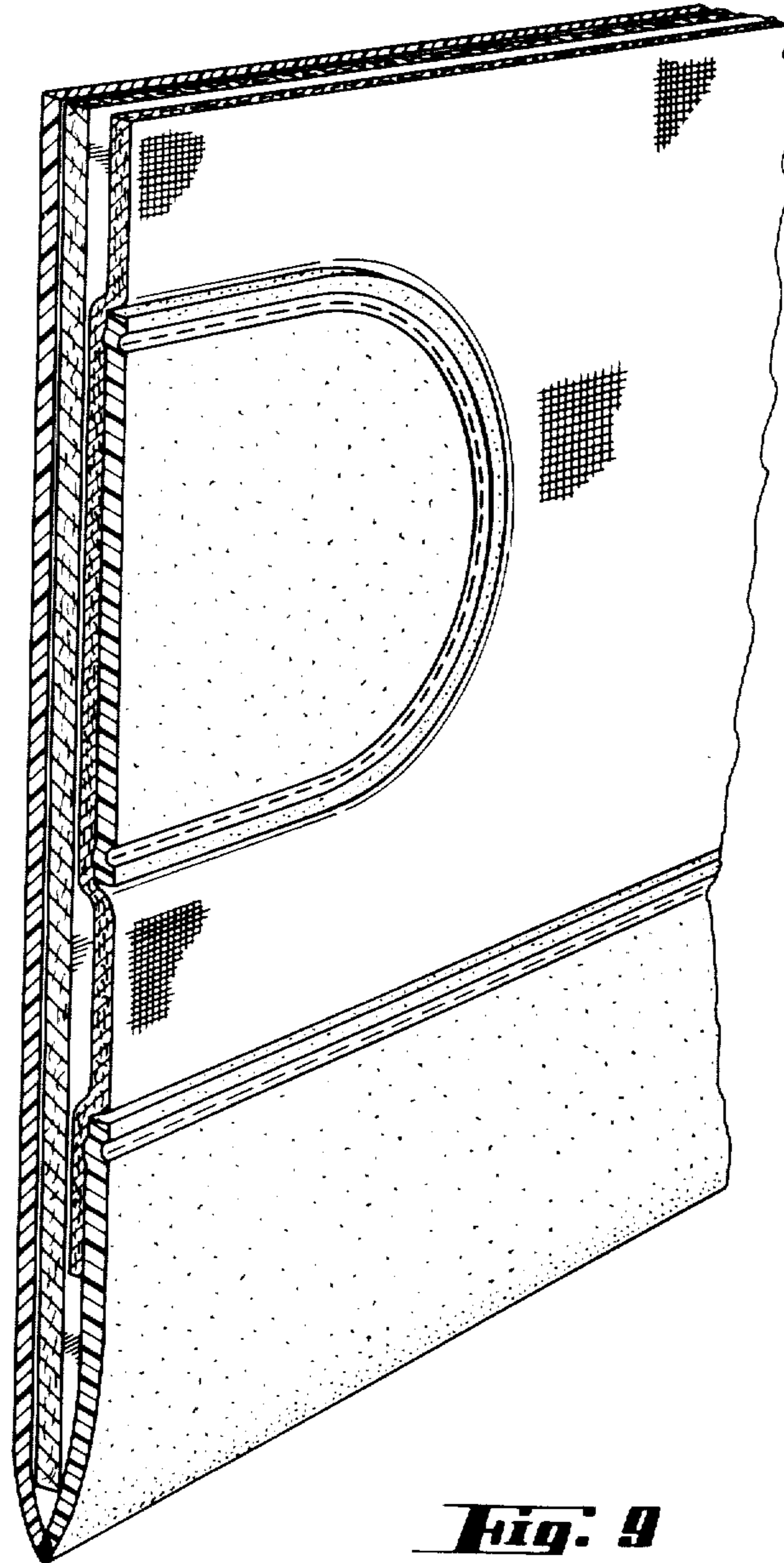
**Fig. 4**



**Fig. 6**



**Fig. 7**



***Fig. 9***