

[54] IN-LINE FILTER FOR LABORATORY USE

[75] Inventors: Roy T. Eddleman, Los Angeles; Gregory F. Moran, Monrovia, both of Calif.

[73] Assignee: Spectrum Medical Industries, Inc., Los Angeles, Calif.

[\*\*] Term: 14 Years

[21] Appl. No.: 38,462

[22] Filed: May 14, 1979

[51] Int. Cl. .... D24—02; D23—99

[52] U.S. Cl. .... D24/52; D23/4

[58] Field of Search ..... D23/4; D24/52, 99, 21; 210/499, 446; 128/214 B, 214 C

[56] References Cited

U.S. PATENT DOCUMENTS

- D. 234,721 4/1975 Rosenberg ..... D23/4
- D. 235,035 4/1975 Rosenberg ..... D24/21

- D. 247,252 2/1978 Rosenberg ..... D23/4
- 3,765,537 10/1973 Rosenberg ..... 210/499 X
- 4,111,807 9/1978 Boomus et al. .... 210/446 X
- 4,113,627 9/1978 Leason ..... 210/446
- 4,159,954 7/1979 Gangemi ..... 210/446
- 4,170,056 10/1979 Meyst et al. .... 210/446

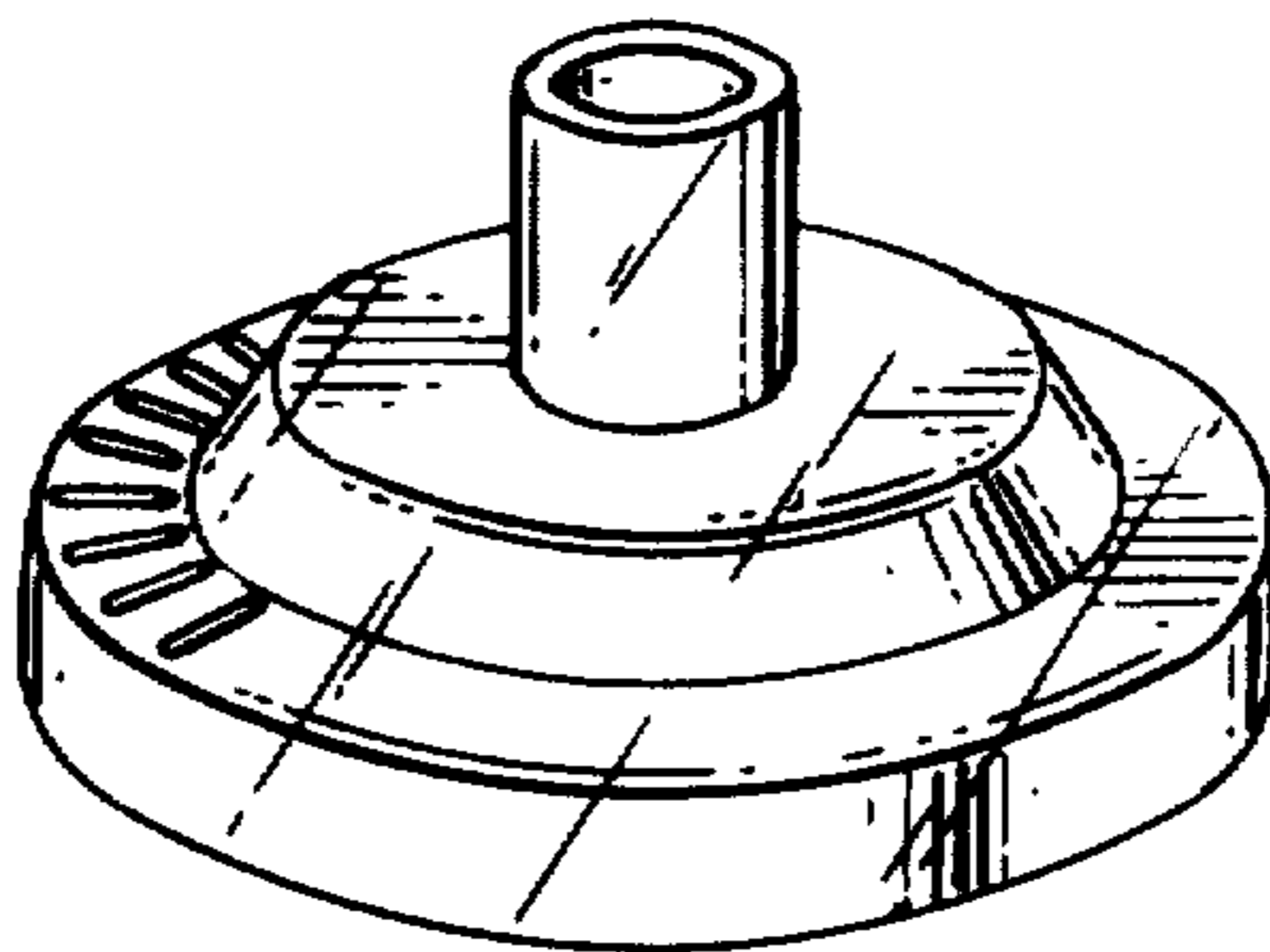
Primary Examiner—Bernard Ansher  
Attorney, Agent, or Firm—Edgar W. Averill, Jr.

[57] CLAIM

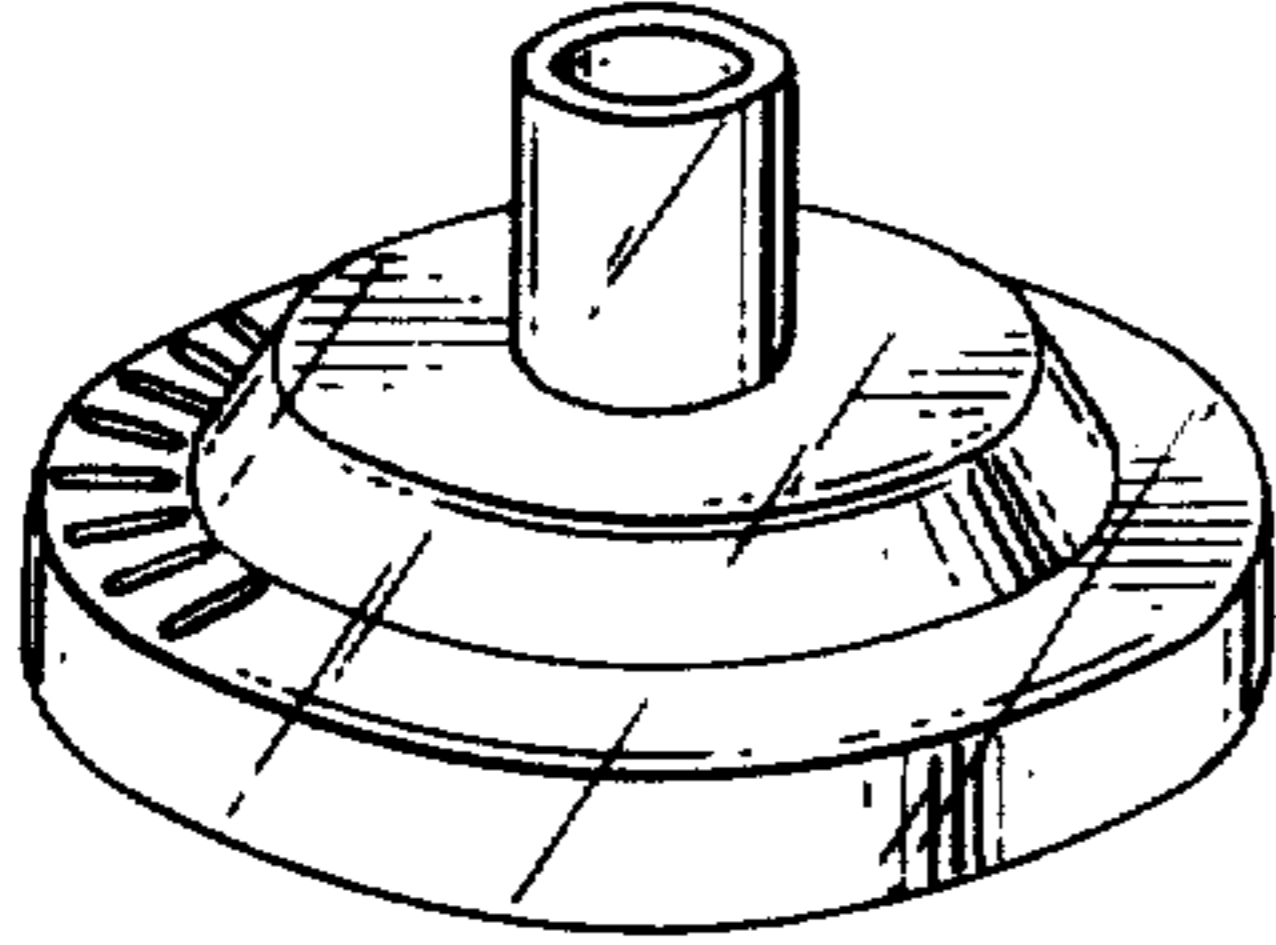
The ornamental design for an in-line filter for laboratory use, as shown and described.

DESCRIPTION

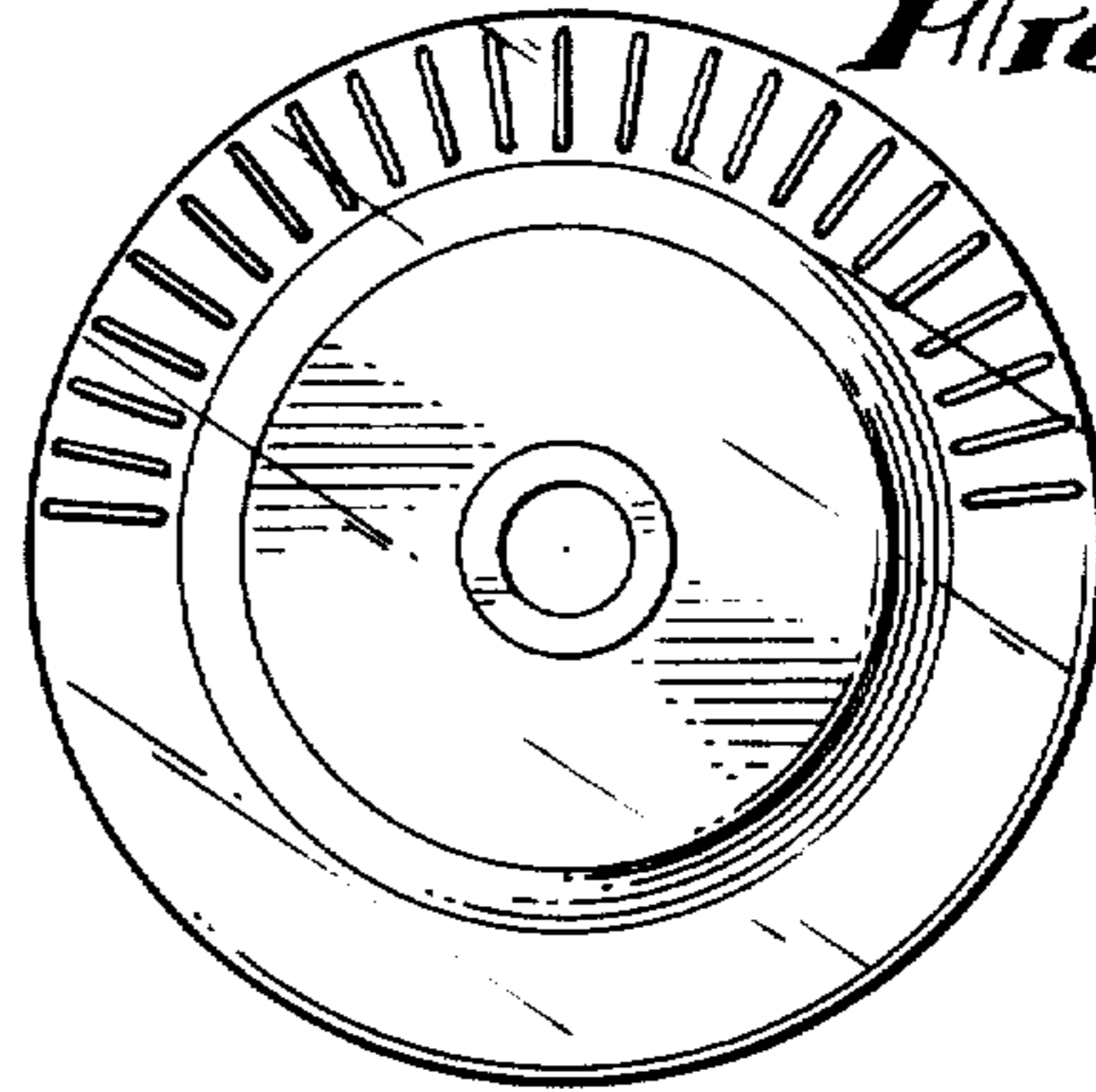
FIG. 1 is a perspective view of an in-line filter for laboratory use showing my new design; FIG. 2 is a top plan view of the filter of FIG. 1; FIG. 3 is a side elevational view of the filter of FIG. 1; the broken lines are shown for illustrative purpose only; FIG. 4 is a bottom plan view of the filter of FIG. 2; FIG. 5 is a cross-sectional view taken along line 5—5 of FIG. 4.



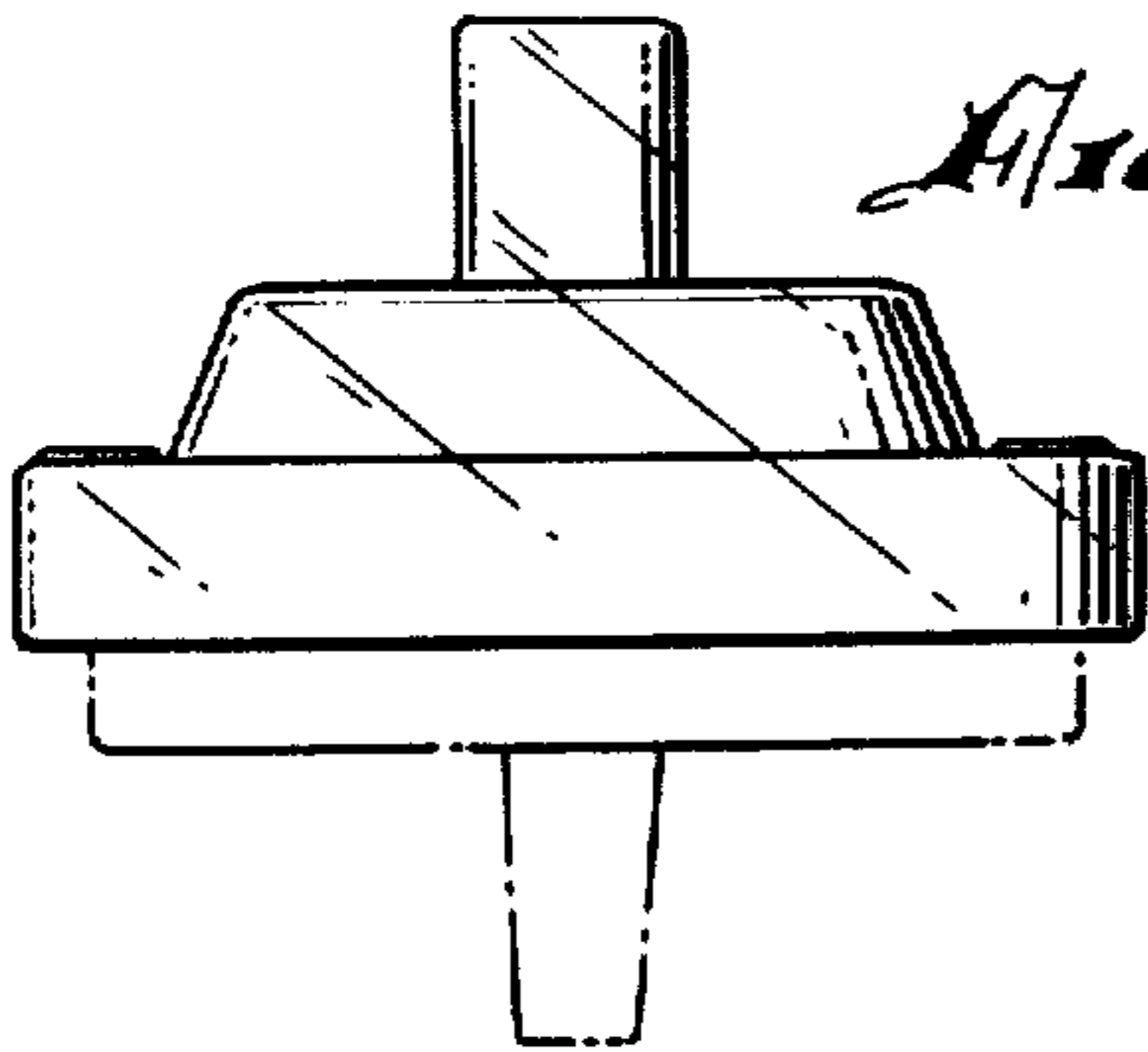
*FIG. 1.*



*FIG. 2.*

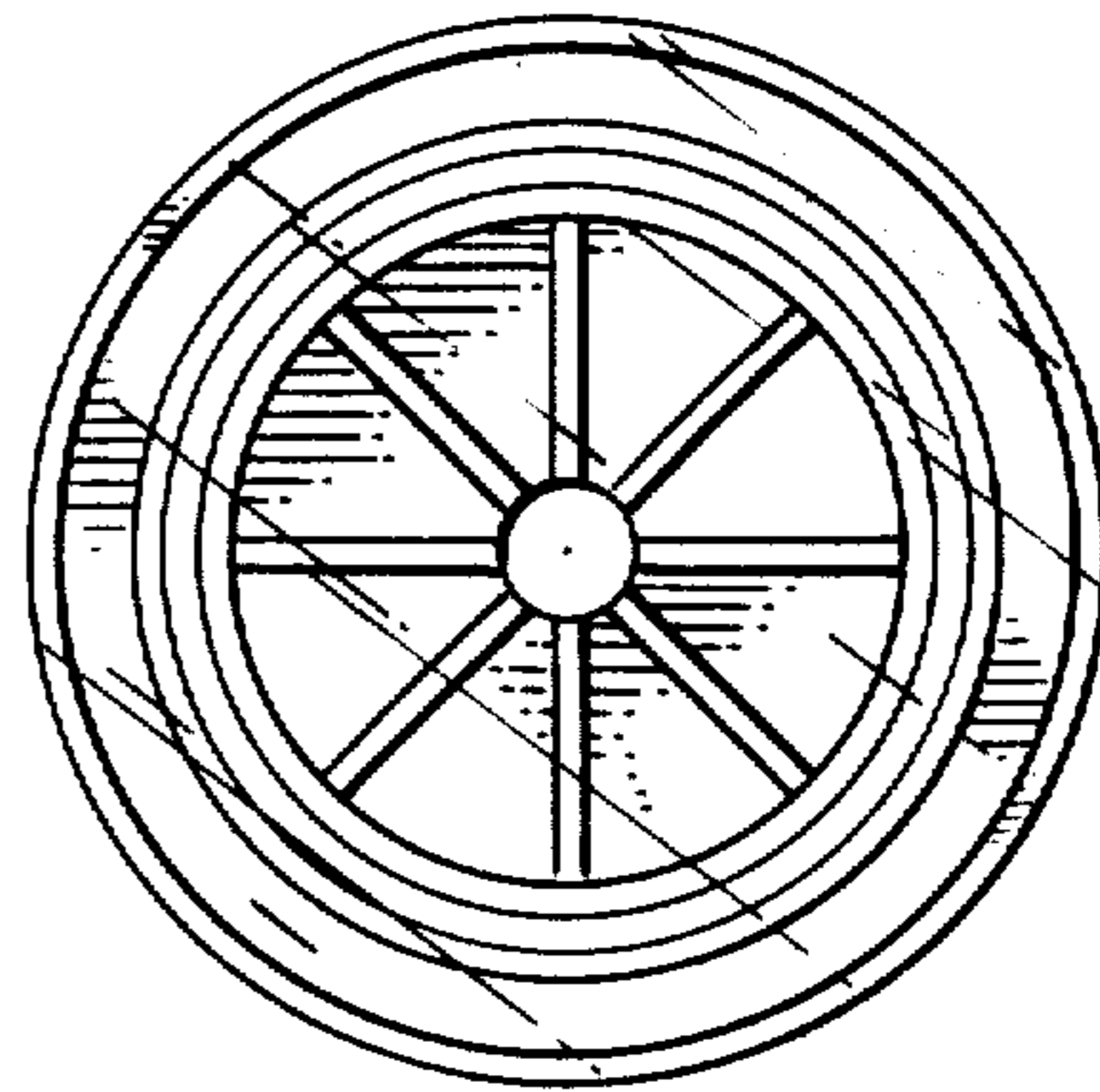


*FIG. 3.*



*FIG. 4.*

↓  
5



↓  
5

*FIG. 5.*

