

[54] **LOW PROFILE FORCED AIR FIREPLACE FURNACE**

[75] Inventors: **Thomas V. Metz, Portland; W. James Sirois, Beaverton, both of Oreg.**

[73] Assignee: **Pacific Fireplace Furnishings, Inc., Tualatin, Oreg.**

[**] Term: **14 Years**

[21] Appl. No.: **23,609**

[22] Filed: **Mar. 26, 1979**

[51] Int. Cl. **D23—03**

[52] U.S. Cl. **D23/95; D23/127**

[58] Field of Search **D7/206, 207; D23/72, D23/93, 95, 97, 127; 126/120, 121, 163 R, 163 A, 164, 165**

[56] **References Cited**

U.S. PATENT DOCUMENTS

D. 253,067 10/1979 Hartley D23/95

Primary Examiner—Catherine E. Kemper
Attorney, Agent, or Firm—Chernoff & Vilhauer

[57] **CLAIM**

The ornamental design for a low profile forced air fireplace furnace, as shown.

DESCRIPTION

FIG. 1 is a perspective view of a forced air fireplace furnace, showing our new design;
FIG. 2 is a rear elevational view thereof;
FIG. 3 is a front elevational view thereof;
FIG. 4 is a bottom view thereof;
FIG. 5 is a side elevational view, the opposite side being a mirror image thereof;
FIG. 6 is a plan view thereof.

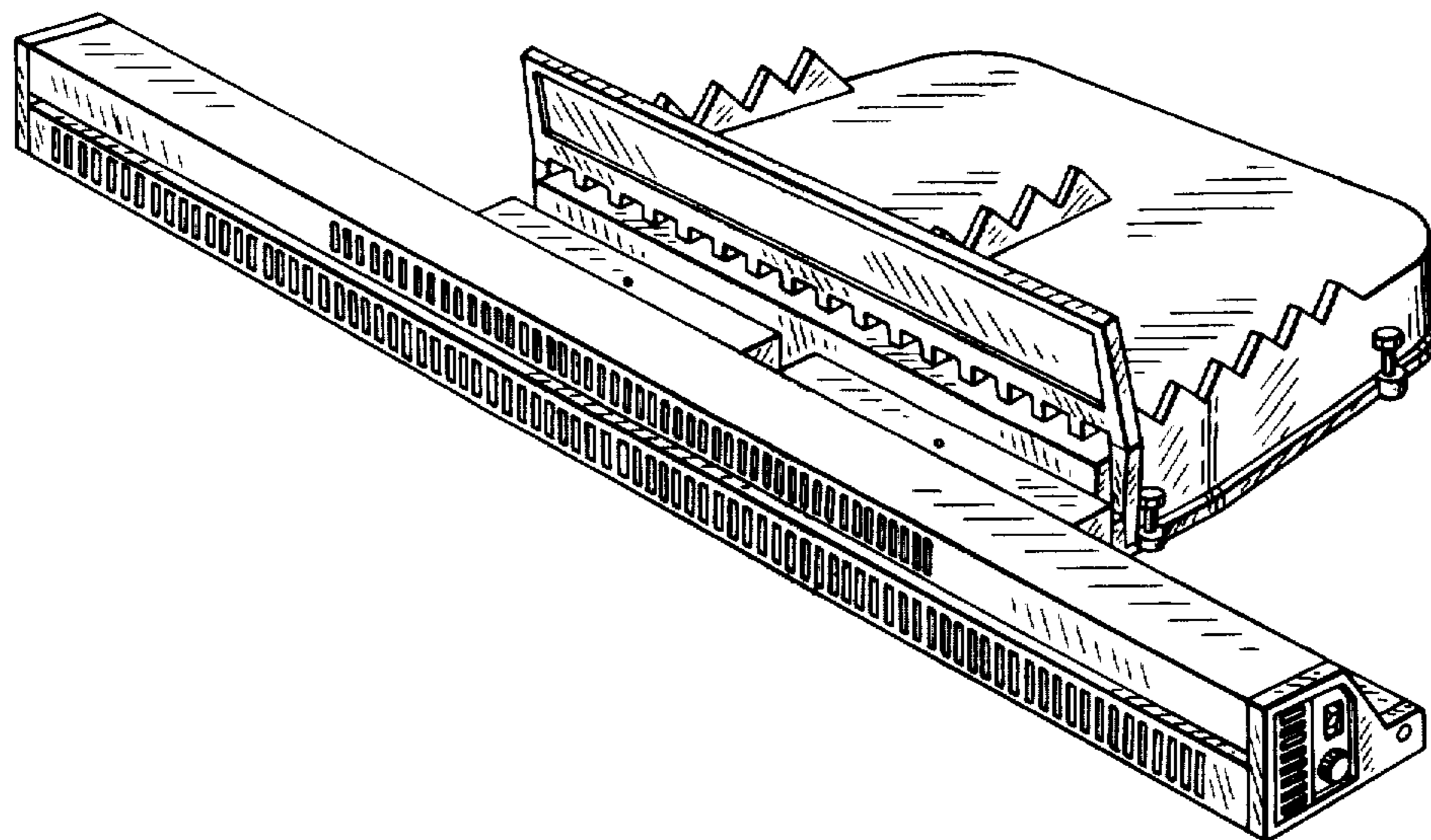


FIG. 1

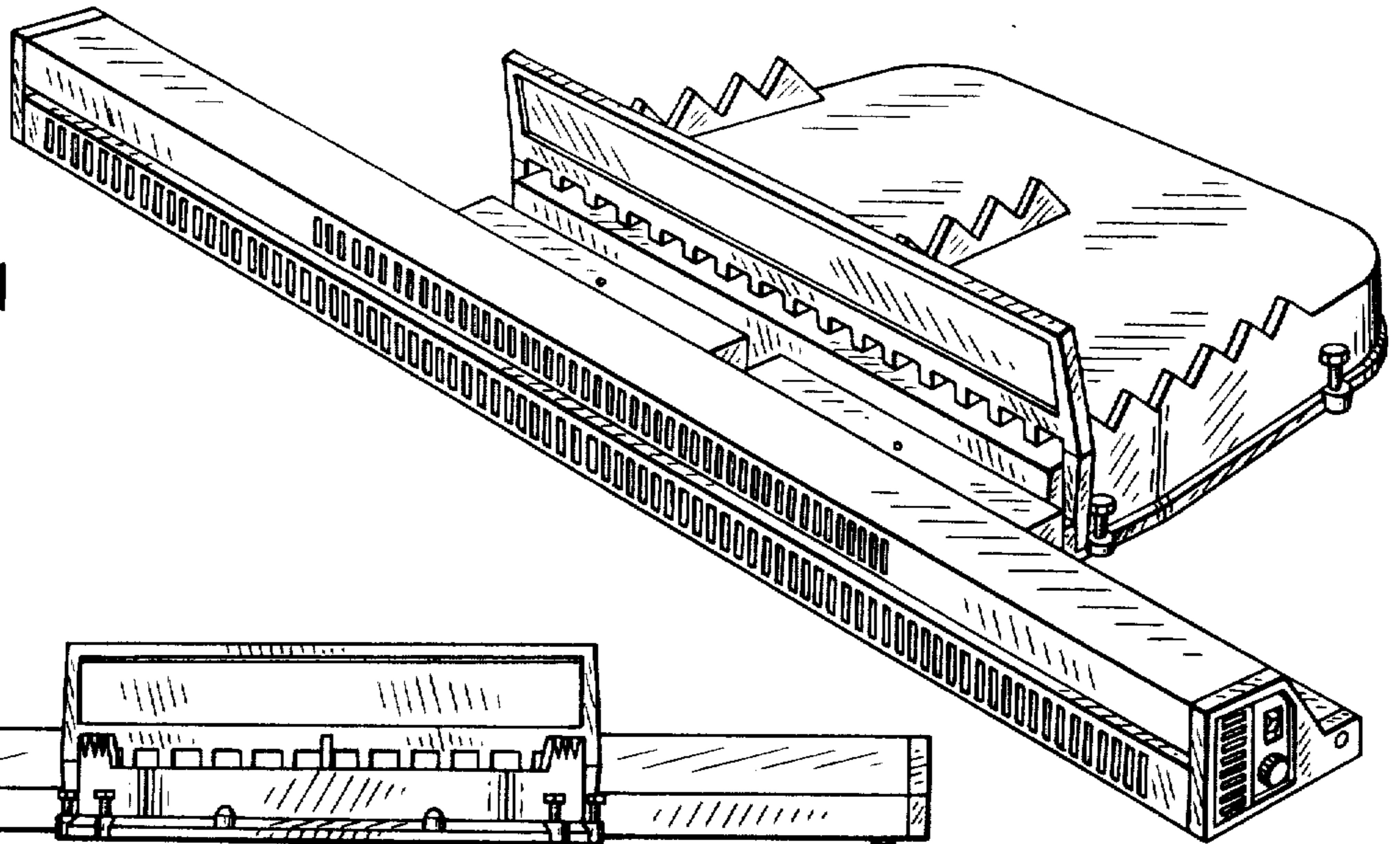


FIG. 2

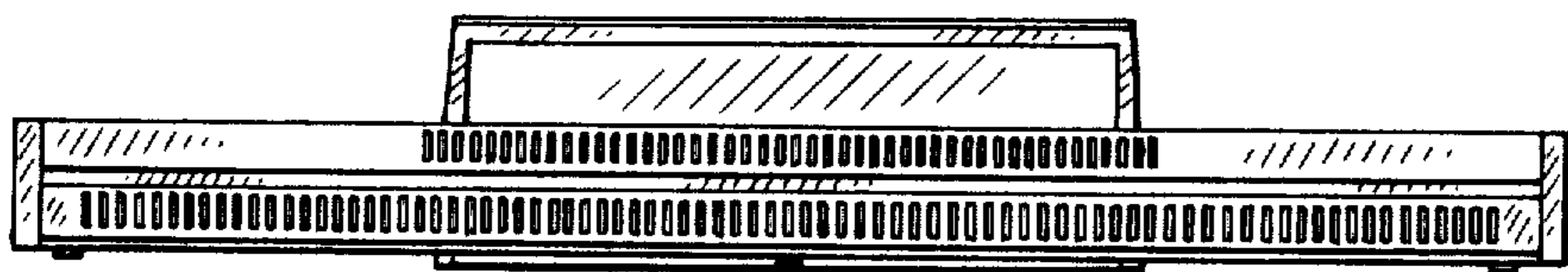
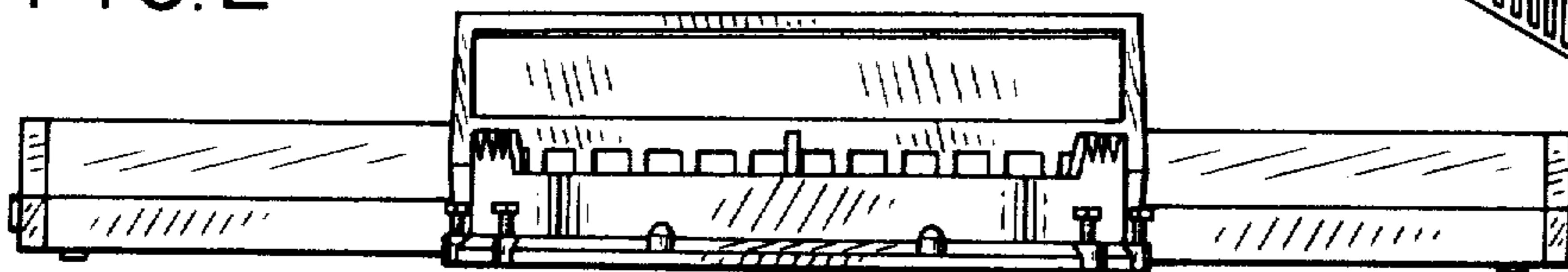


FIG. 3

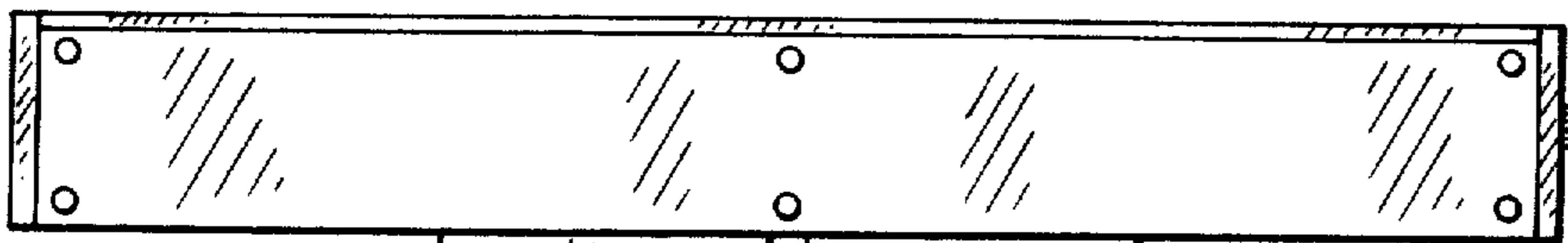


FIG. 4

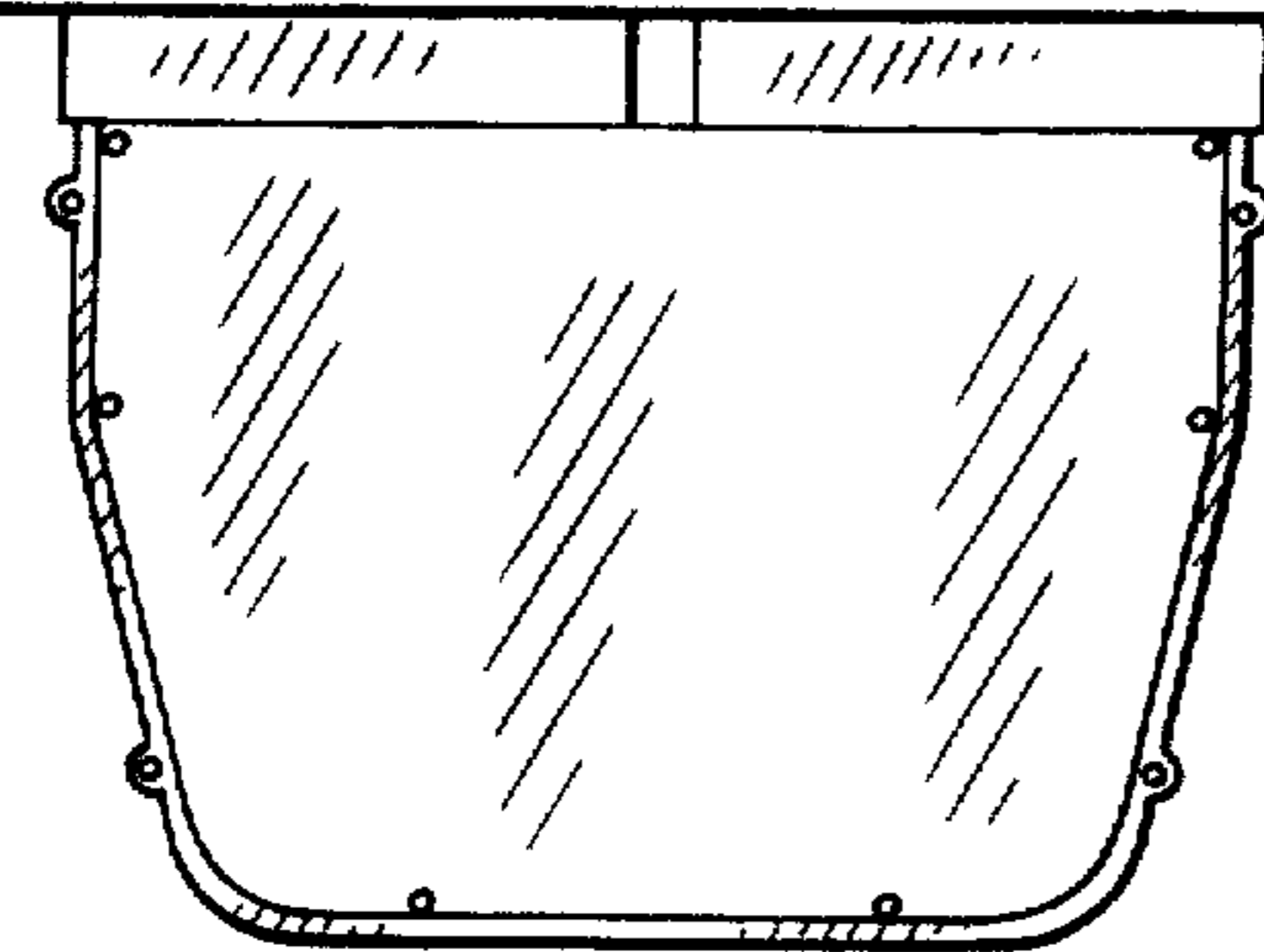


FIG. 5

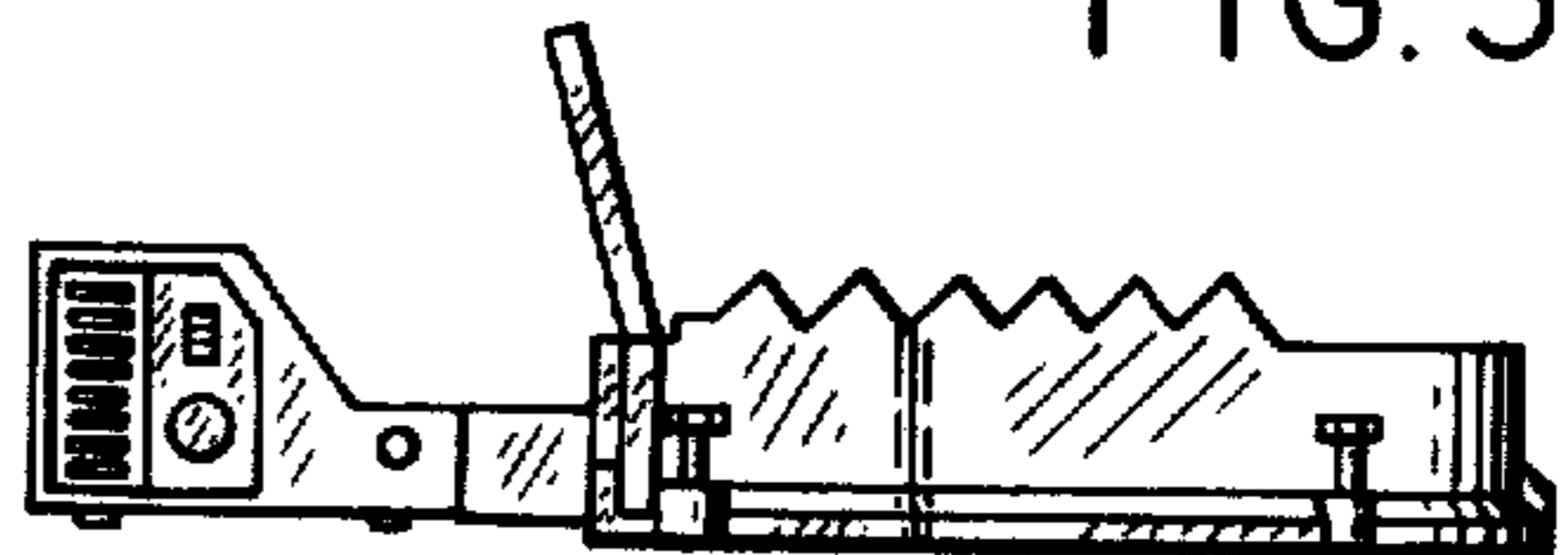


FIG. 6

