

- [54] **SPRINKLER CONTROL VALVE**
- [75] Inventors: **Ho Chow**, River Edge, N.J.; **Tim M. Uyeda**, South San Gabriel, Calif.
- [73] Assignee: **Beatrice Foods Co.**, Moonachie, N.J.
- [\*\*] Term: **14 Years**
- [21] Appl. No.: **145,805**
- [22] Filed: **May 1, 1980**
- [51] Int. Cl. .... **D23-01**
- [52] U.S. Cl. .... **D23/38**
- [58] Field of Search ..... D23/6-12,  
D23/19, 20-22, 38, 39; 137/624.11, 624.12,  
624.21; 239/71

D. 213,498 3/1969 Fegel ..... D23/19

*Primary Examiner*—James R. Largen  
*Attorney, Agent, or Firm*—James & Franklin

[57] **CLAIM**

The ornamental design for a sprinkler control valve, as shown and described.

**DESCRIPTION**

FIG. 1 is a perspective view taken from the top, one side, and one end of a sprinkler control valve showing our new design;

FIG. 2 is an elevational view taken from the side opposite that shown in FIG. 1;

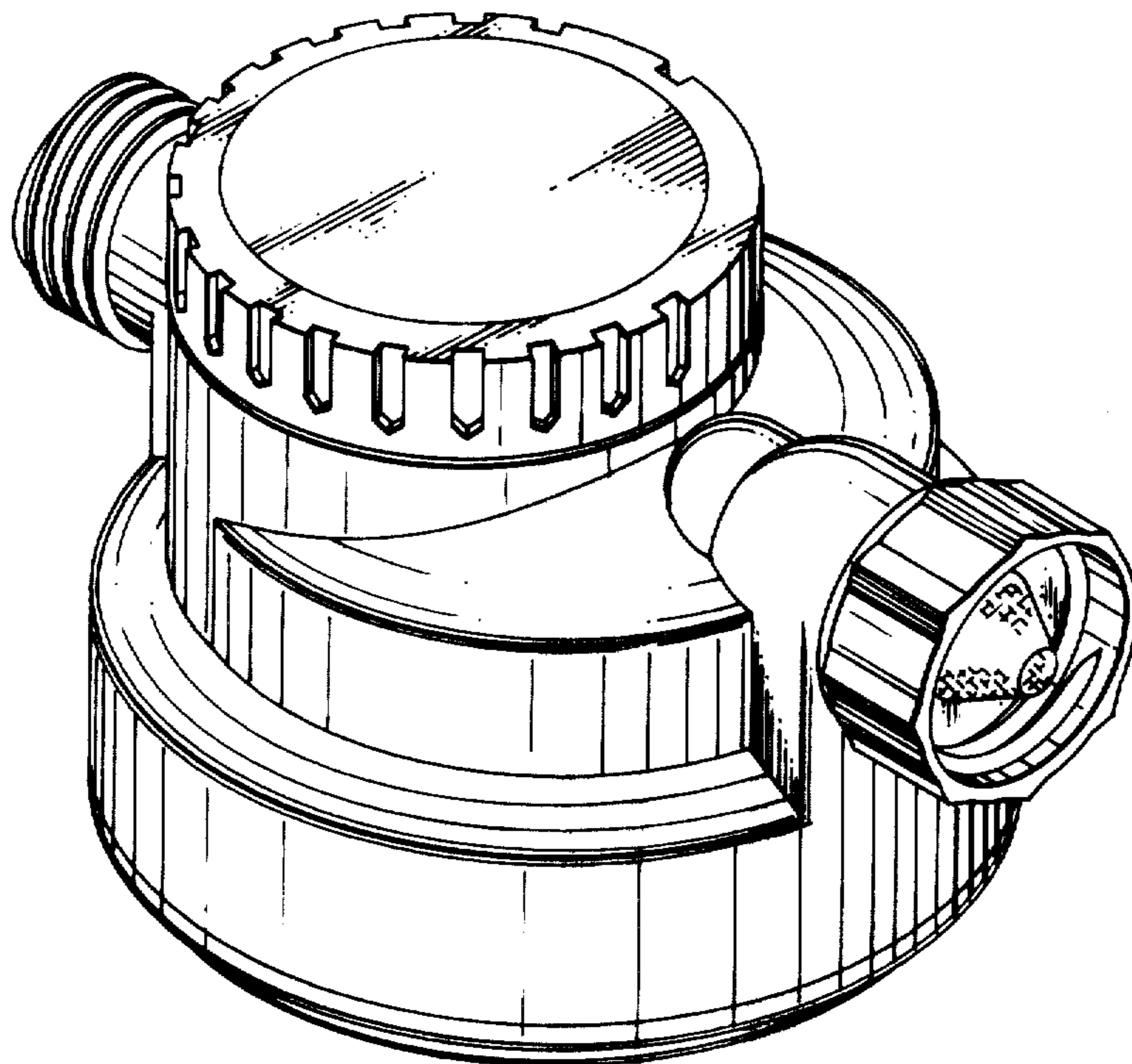
FIG. 3 is an elevational view taken from the end opposite that shown in FIG. 1;

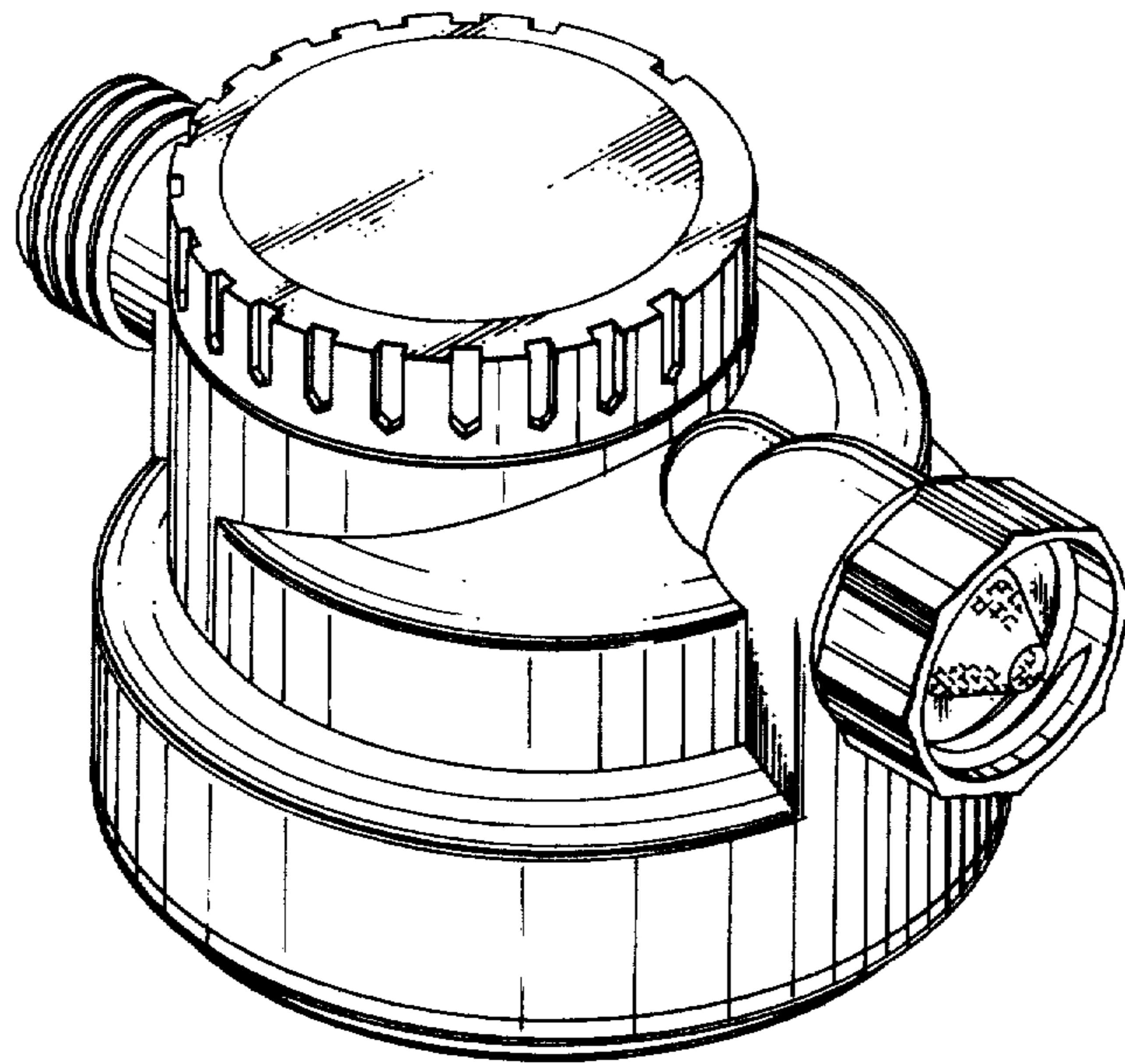
FIG. 4 is an elevational view of the end shown in FIG. 1;

FIG. 5 is a top plan view thereof; and

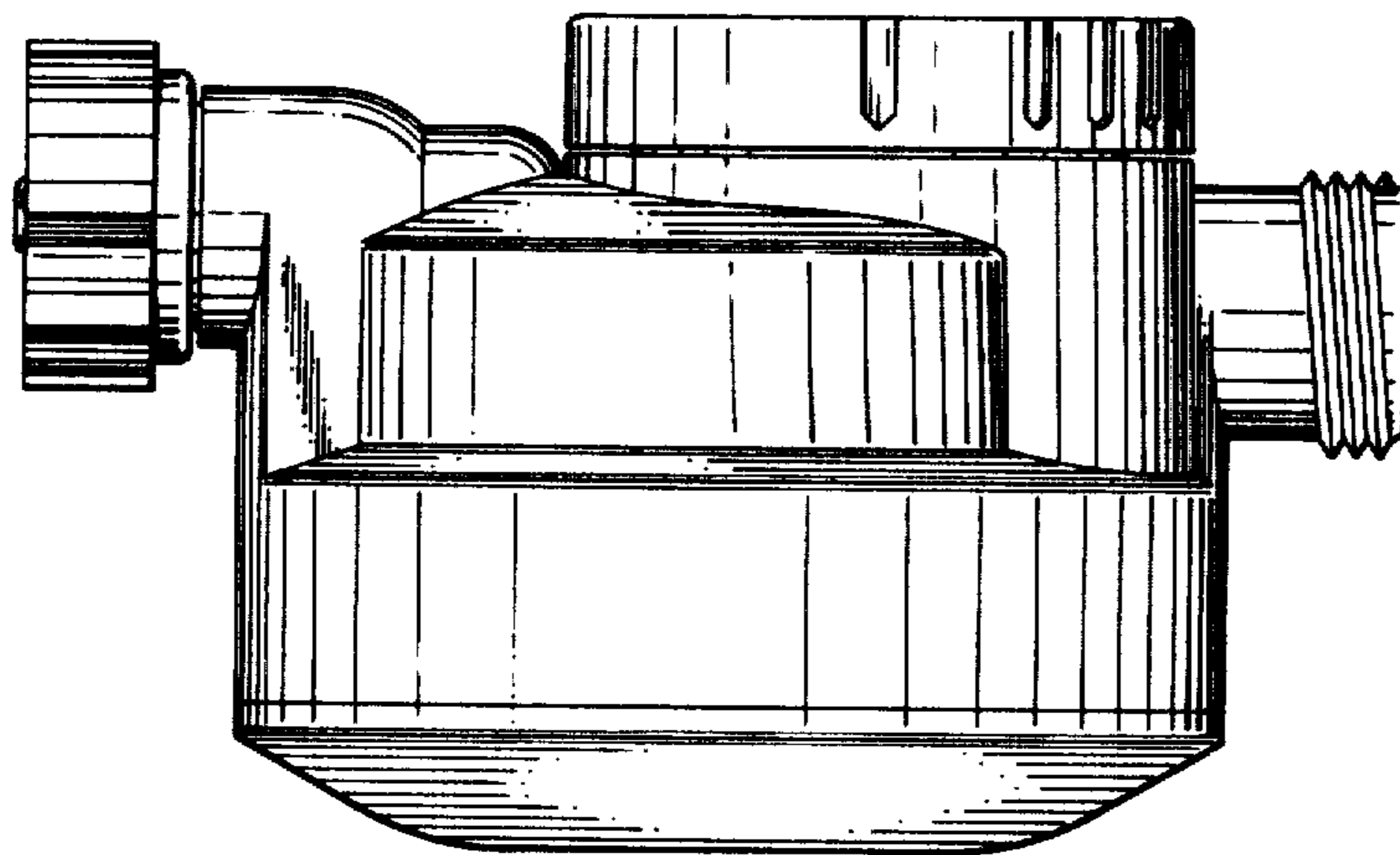
FIG. 6 is a bottom plan view thereof.

- [56] **References Cited**
- U.S. PATENT DOCUMENTS**
- D. 207,766 5/1967 Keane ..... D23/19

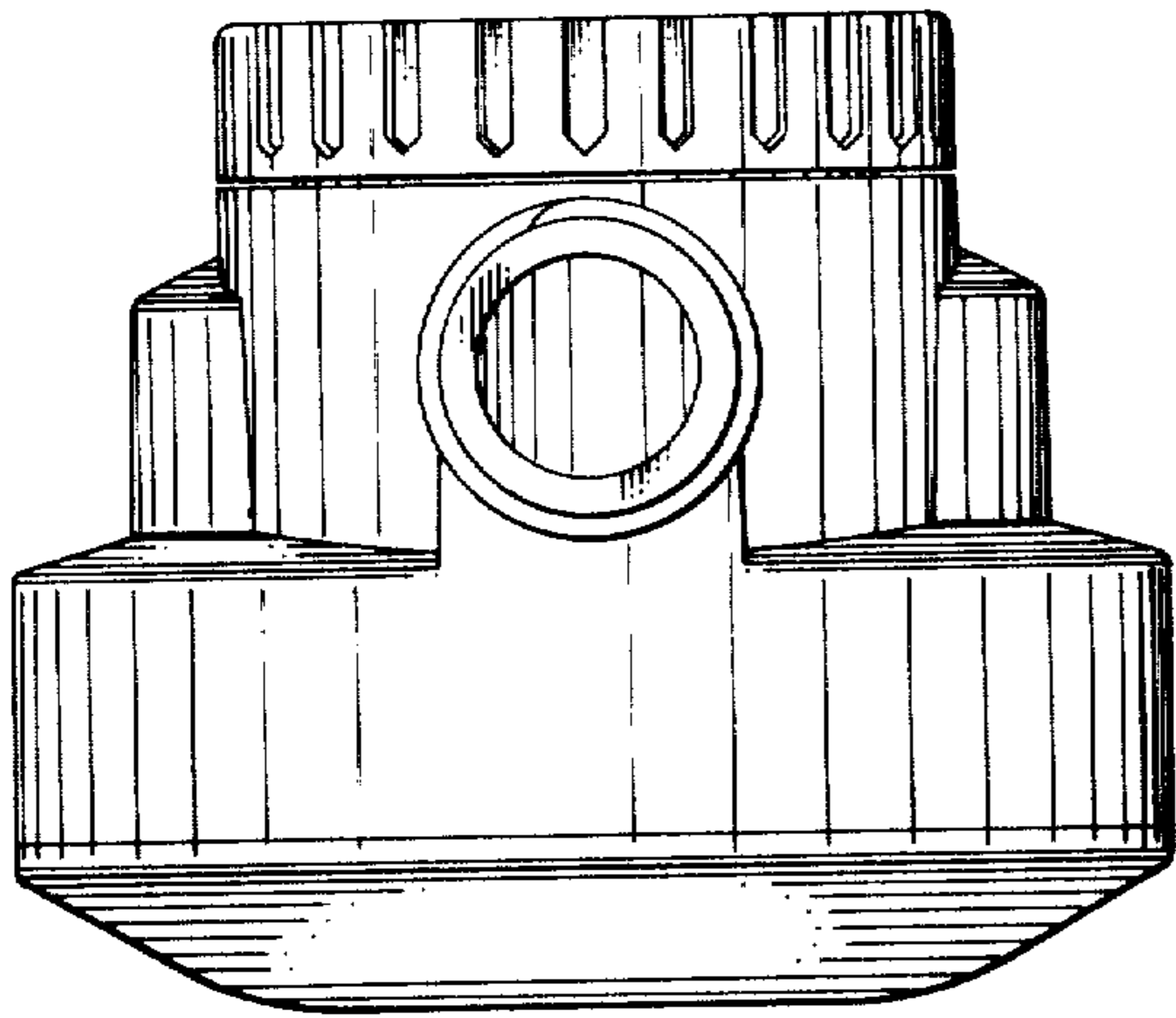




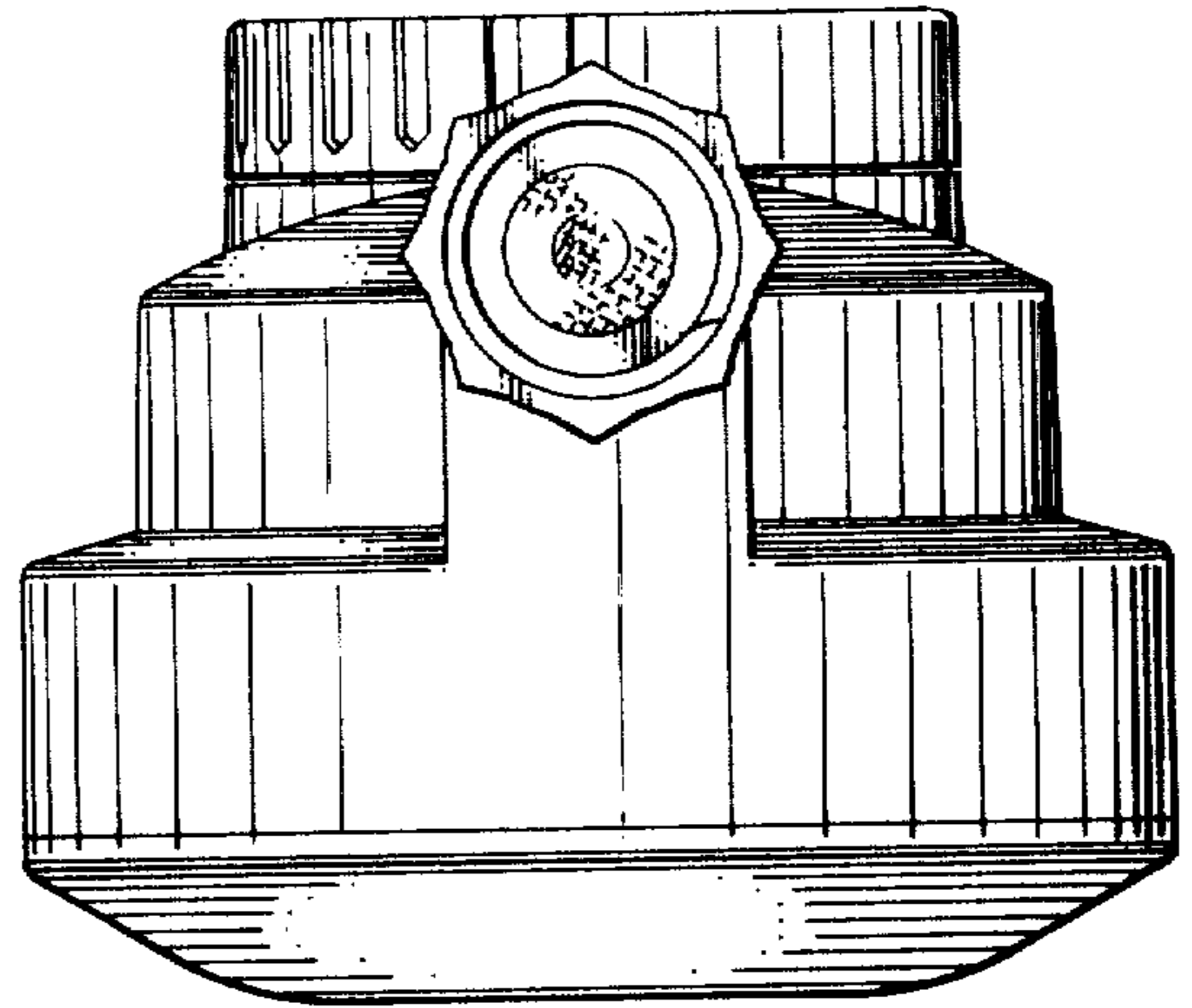
*Fig\_1*



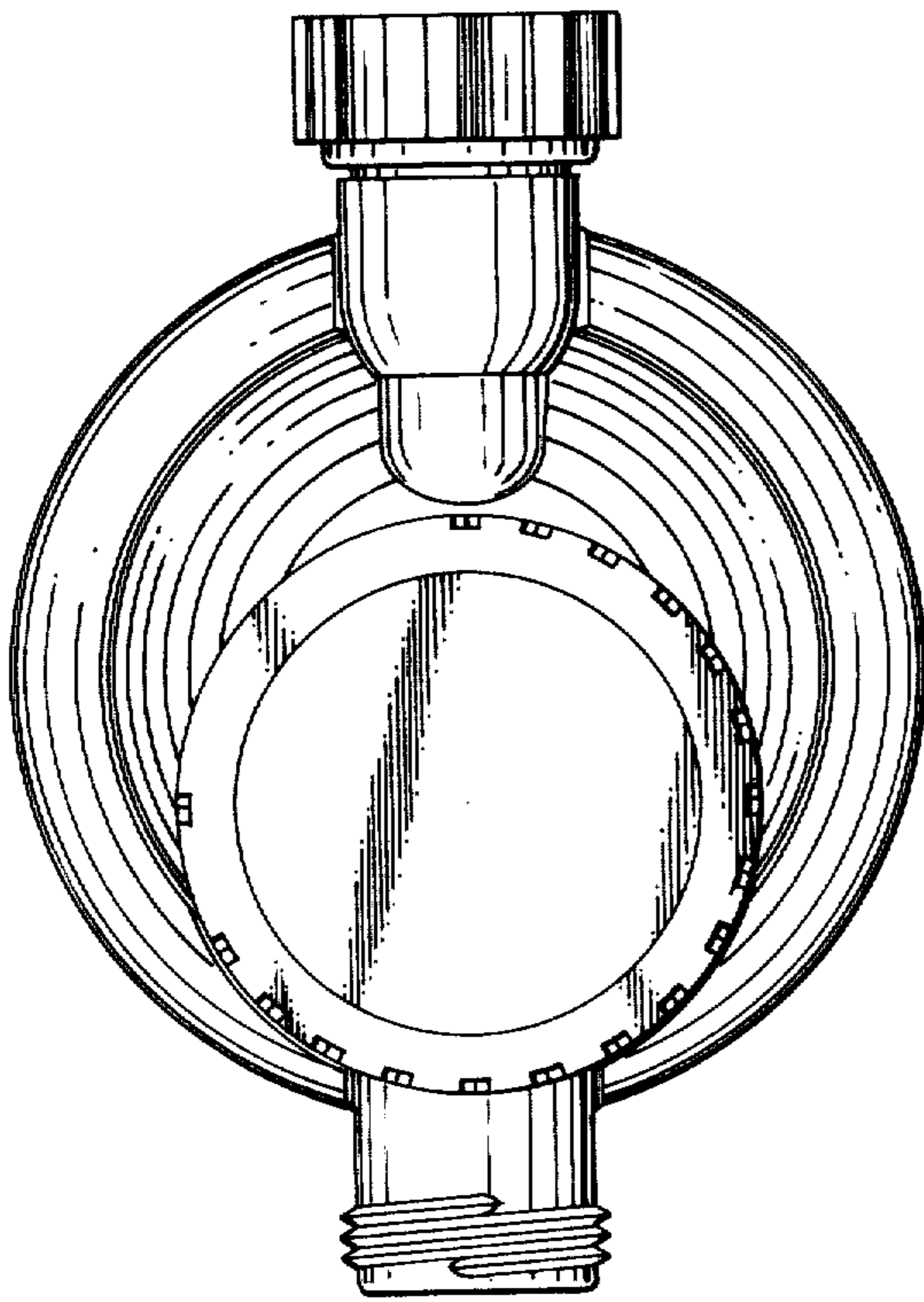
*Fig\_2*



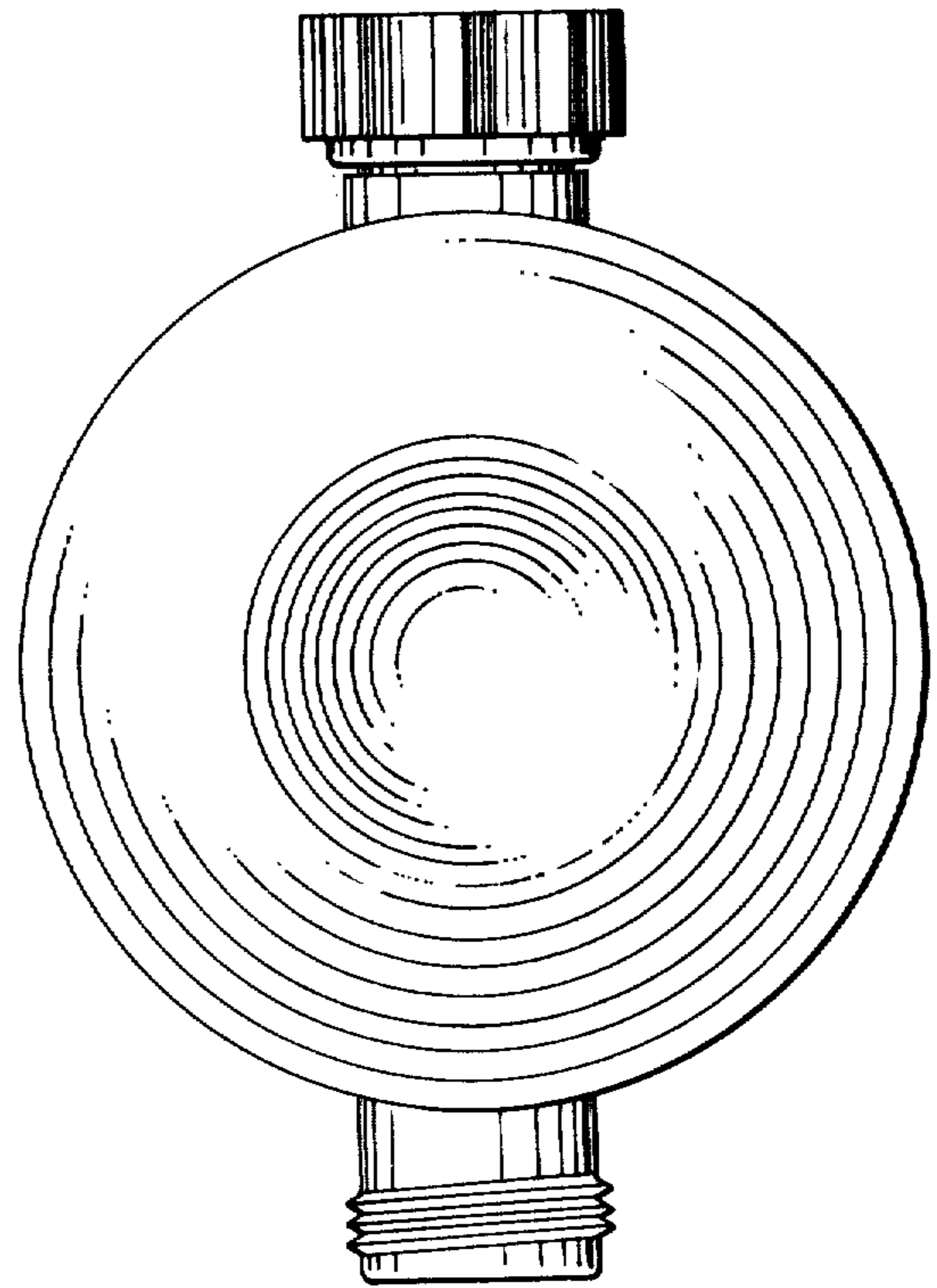
*Fig\_3*



*Fig\_4*



*Fig\_5*



*Fig\_6*