

[54] VACUUM OPERATED INSECT COLLECTOR

[76] Inventor: Robert W. Knebel, Naples, N.Y.  
14512

[\*\*] Term: 7 Years

[21] Appl. No.: 133,638

[22] Filed: Mar. 24, 1980

[51] Int. Cl. .... D22-06

[52] U.S. Cl. .... D22/19; D32/33

[58] Field of Search ..... D22/19; 43/110, 112,  
43/113, 139, 140; D7/164; 15/344, 341

[56] References Cited

U.S. PATENT DOCUMENTS

D. 232,802 9/1974 Steinkamp et al. .... D7/164

D. 233,209	10/1974	Terraillon	.....	D7/164
2,036,789	4/1936	Baker	.....	D7/164 X
3,965,608	6/1976	Schuman	.....	43/110
4,074,458	2/1978	Catlett	.....	43/139
4,175,352	11/1979	Catlett	.....	43/139

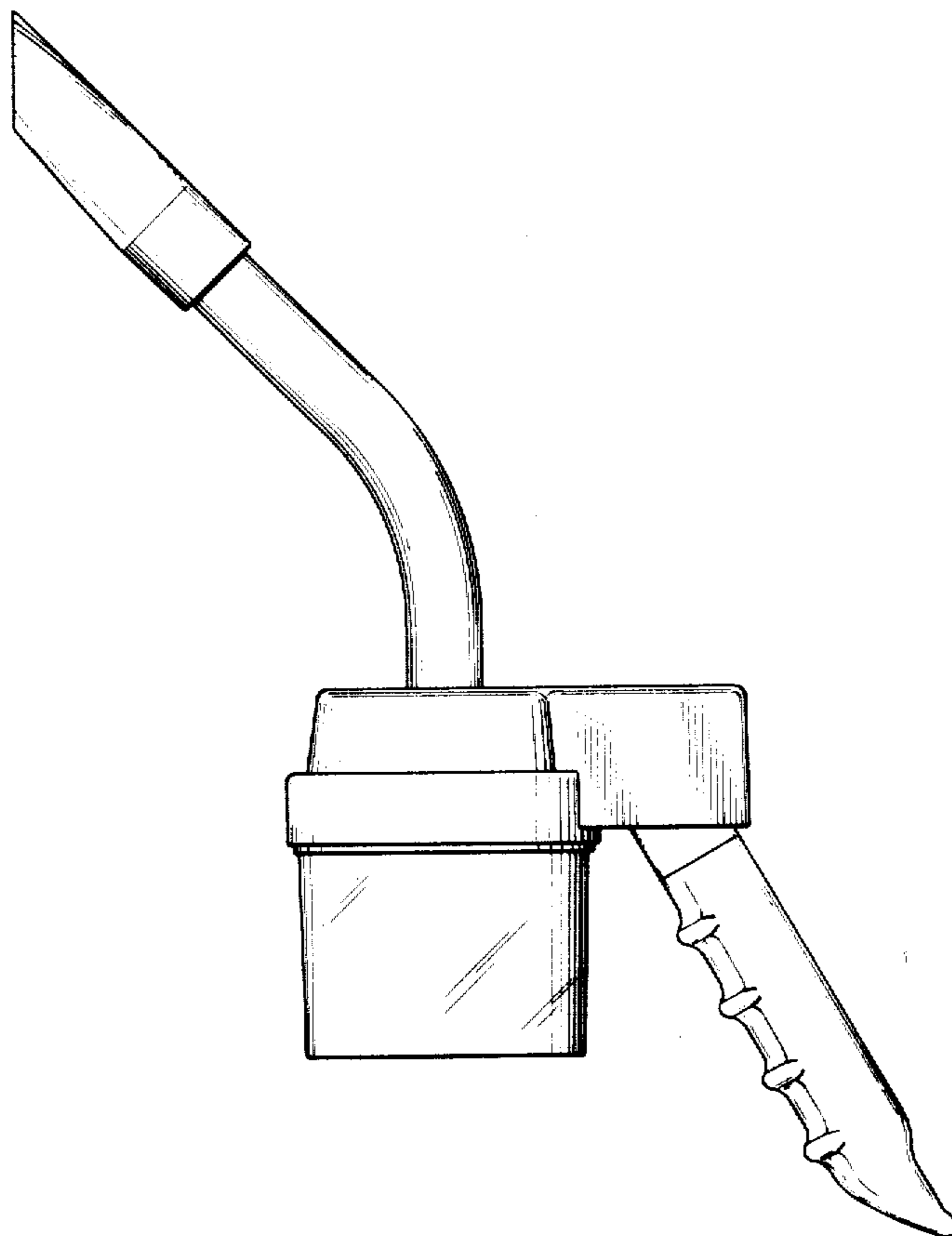
Primary Examiner—A. Hugo Word

[57] CLAIM

The ornamental design for a vacuum operated insect collector, substantially as shown.

DESCRIPTION

FIG. 1 is a front elevational view of a vacuum operated insect collector showing my new design;  
FIG. 2 is a top plan view thereof;  
FIG. 3 is a left side elevational view thereof;  
FIG. 4 is a right side elevational view thereof; and  
FIG. 5 is a bottom plan view thereof.



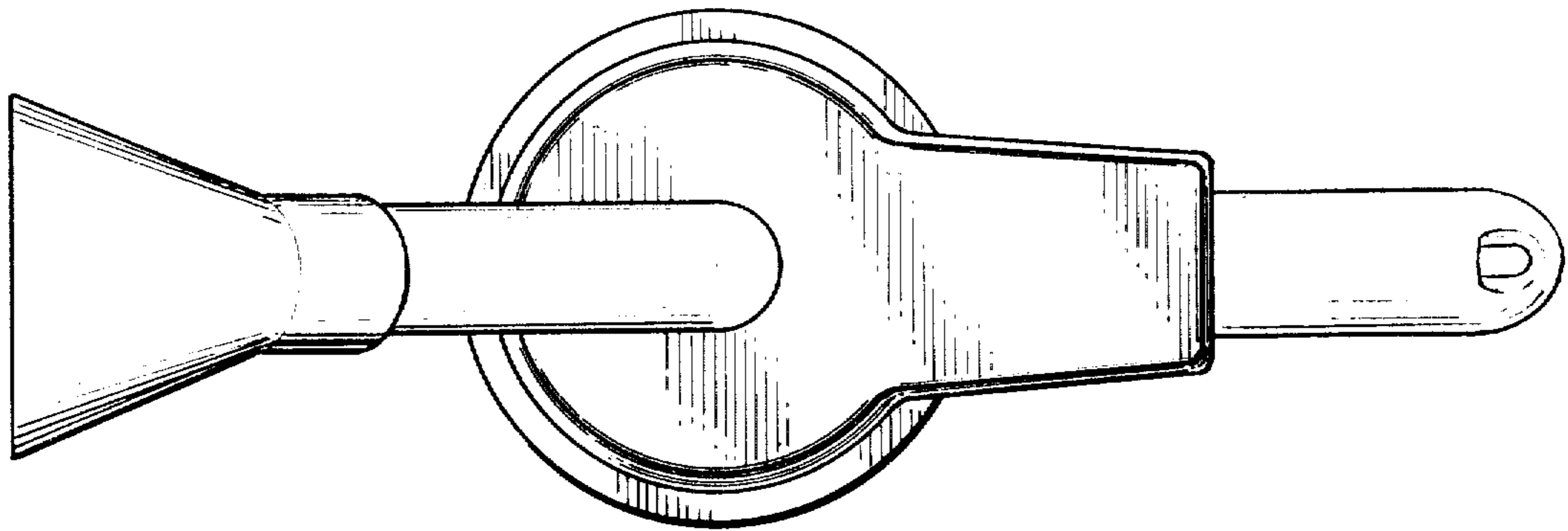


FIG. 2

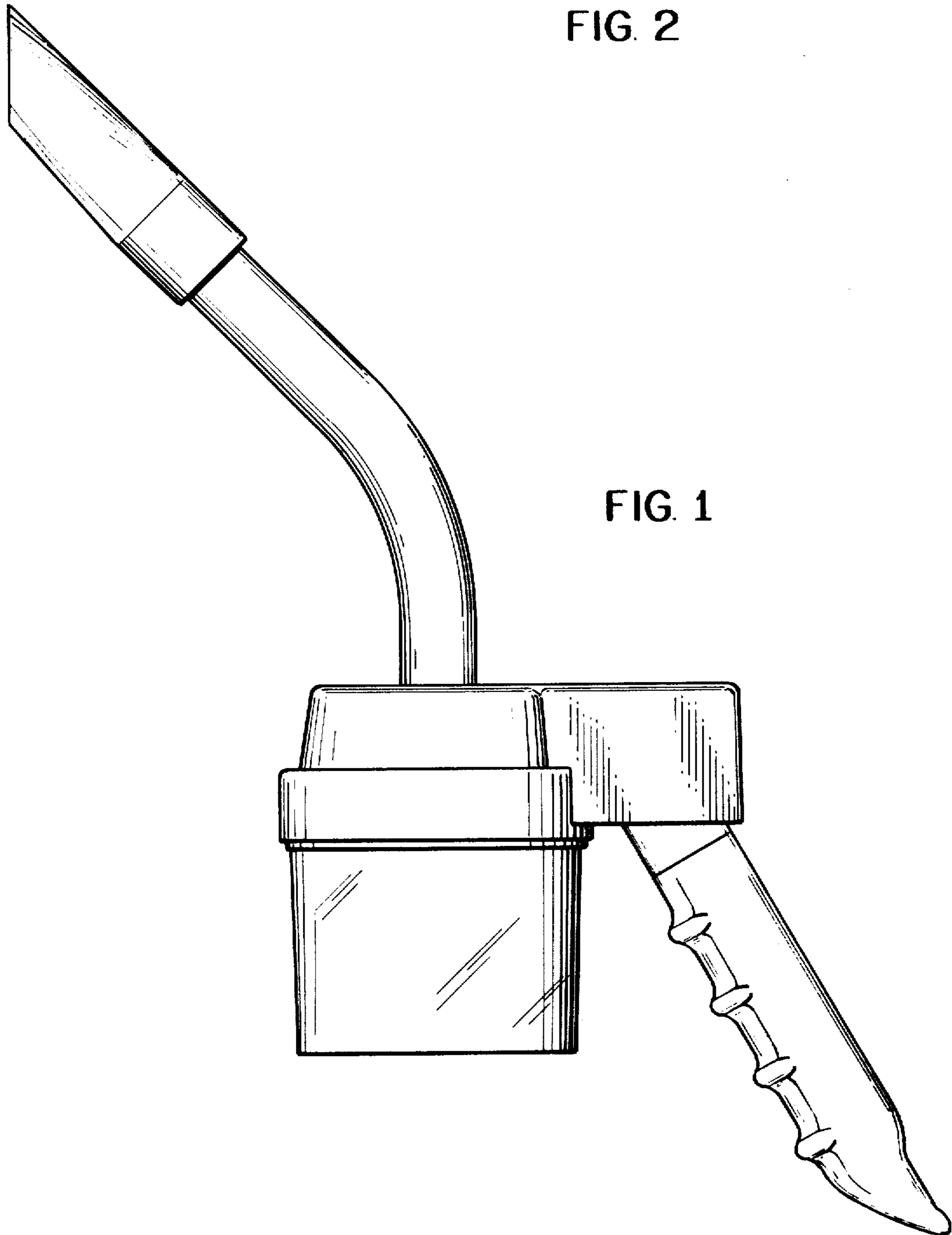


FIG. 1

FIG. 3

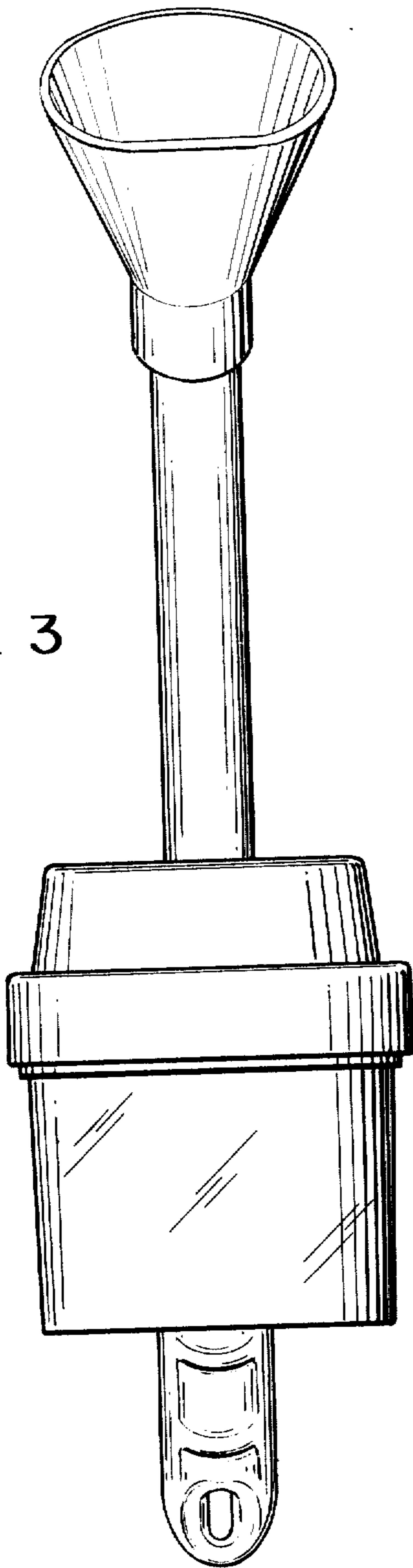


FIG. 4

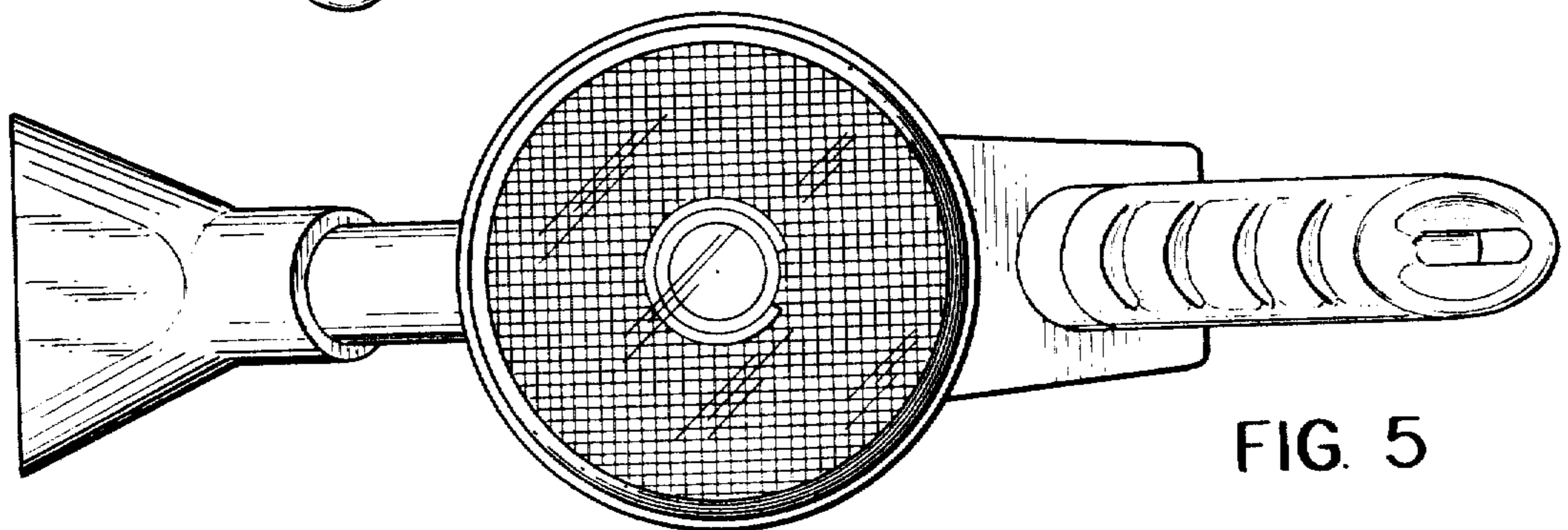
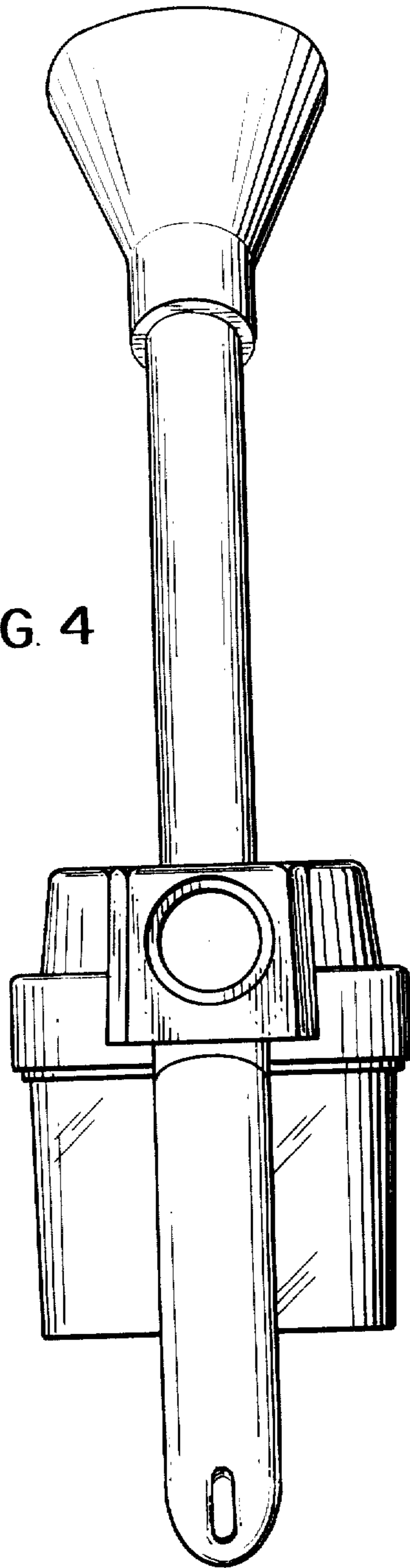


FIG. 5