

[54] BUBBLE MAKER TOY

[75] Inventor: Kurt S. Rasmussen, Oak Park, Ill.

[73] Assignee: Strombecker Corporation, Chicago, Ill.

[\*\*] Term: 14 Years

[21] Appl. No.: 94,484

[22] Filed: Nov. 15, 1979

[51] Int. Cl. .... D21-01

[52] U.S. Cl. .... D21/61

[58] Field of Search ..... D21/61; 46/6, 7, 8

[56] References Cited

U.S. PATENT DOCUMENTS

- D. 233,358 10/1974 Kort ..... D21/61
- D. 235,030 4/1975 Ziff ..... D21/61
- 2,213,391 9/1940 Gamble ..... D21/61
- 3,295,248 1/1967 Knerr et al. .... 46/6

FOREIGN PATENT DOCUMENTS

1413175 8/1965 France ..... 46/6

Primary Examiner—Melvin B. Feifer

Attorney, Agent, or Firm—Allegretti, Newitt, Witcoff & McAndrews

[57] CLAIM

The ornamental design for a bubble maker toy, as shown and described.

DESCRIPTION

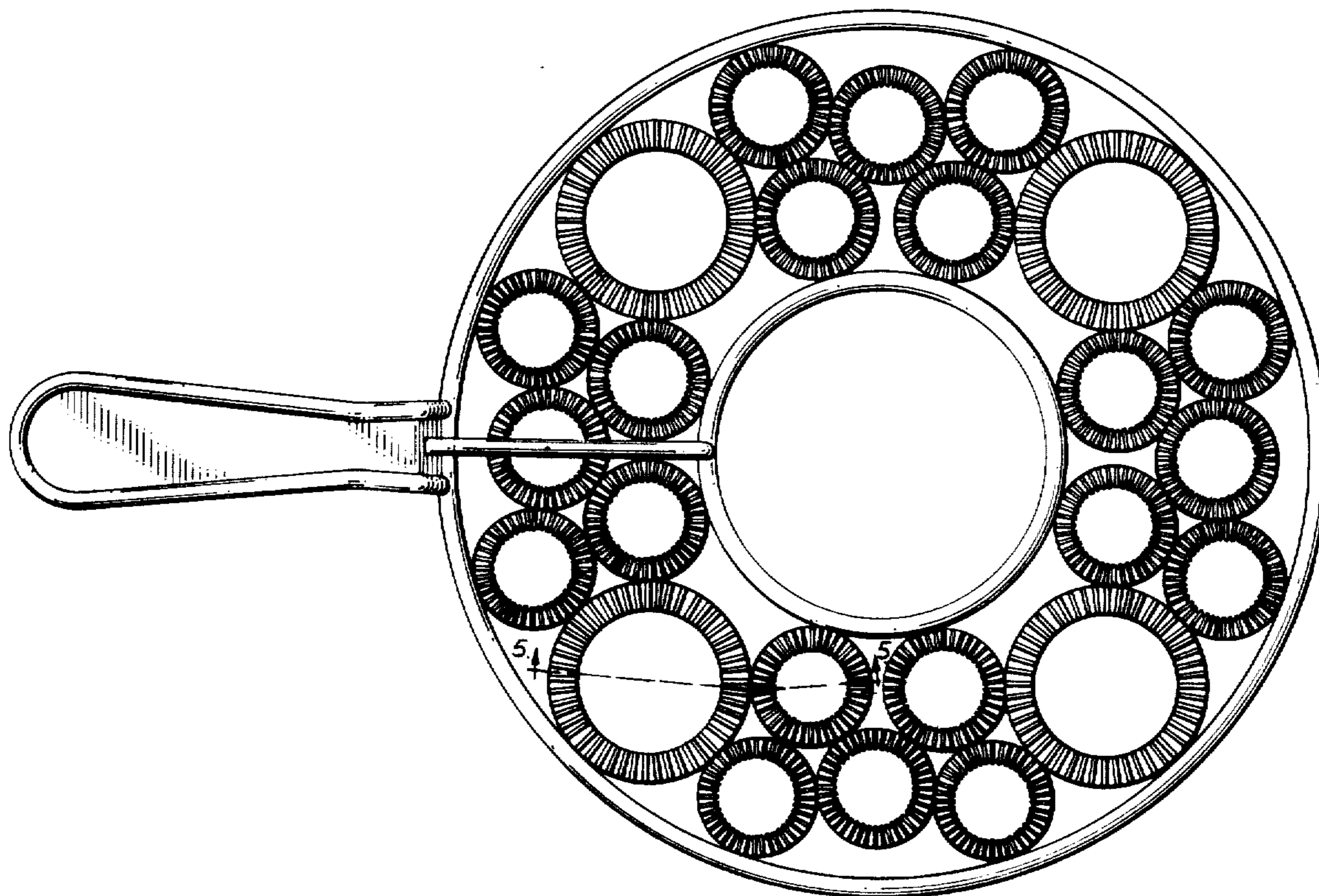
FIG. 1 is a top view of a bubble maker toy showing my new design;

FIG. 2 is a side view;

FIG. 3 is a bottom view, with all of the fins on the circular bubble maker elements not being shown, it being understood that the bottom view of the circular bubble maker elements is the same as the top view;

FIG. 4 is an end view; and

FIG. 5 is a detail cross-sectional view taken generally along line 5-5 of FIG. 1.



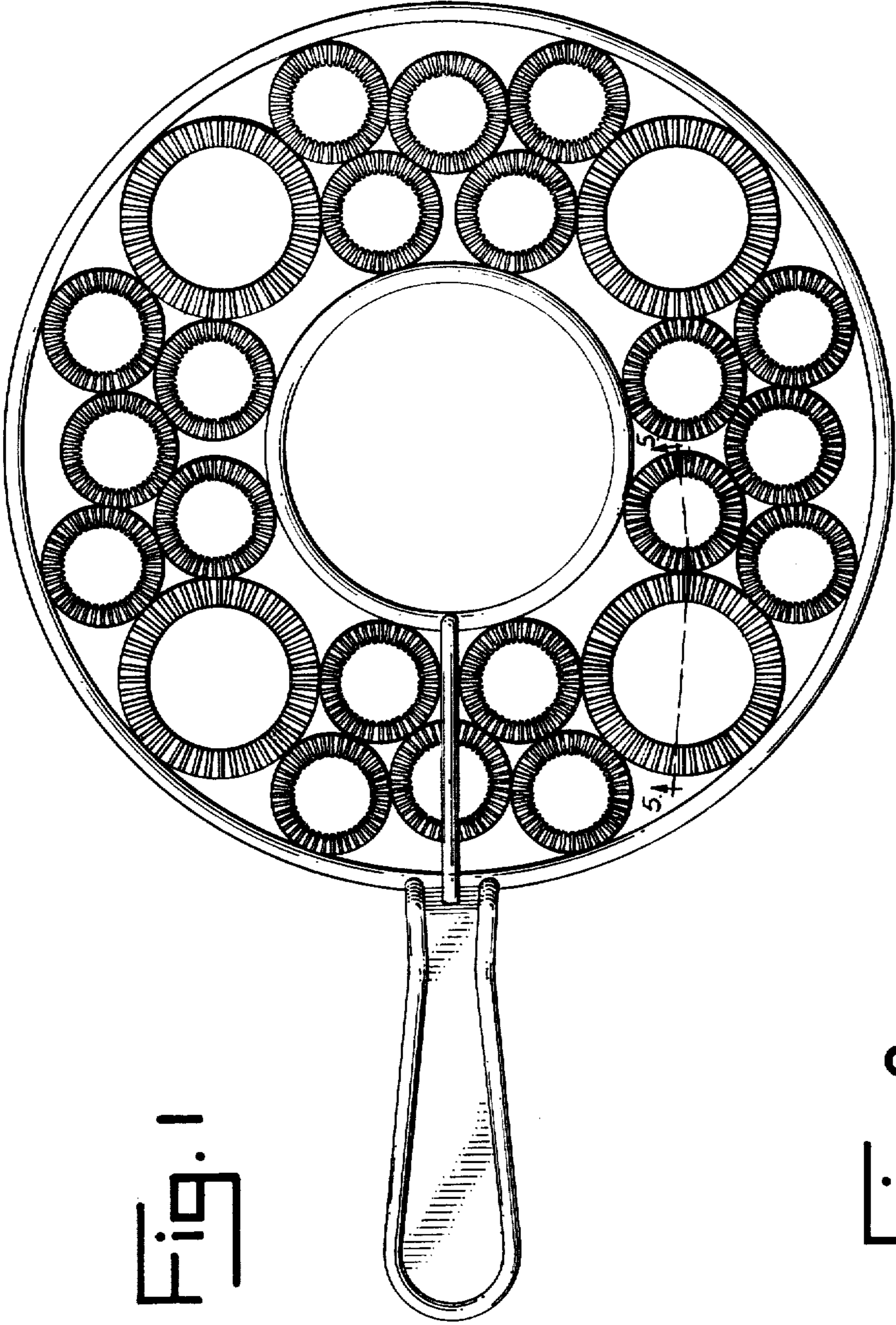


Fig. 1

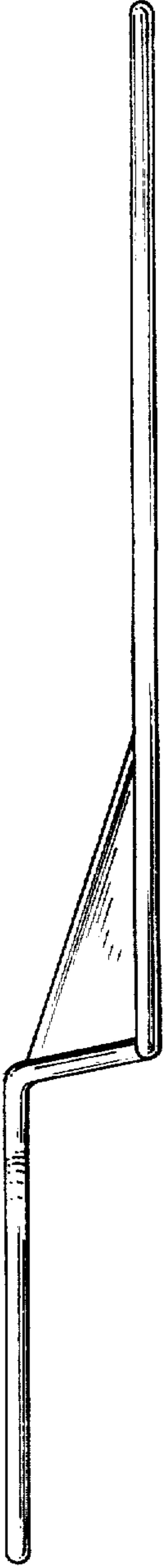


Fig. 2

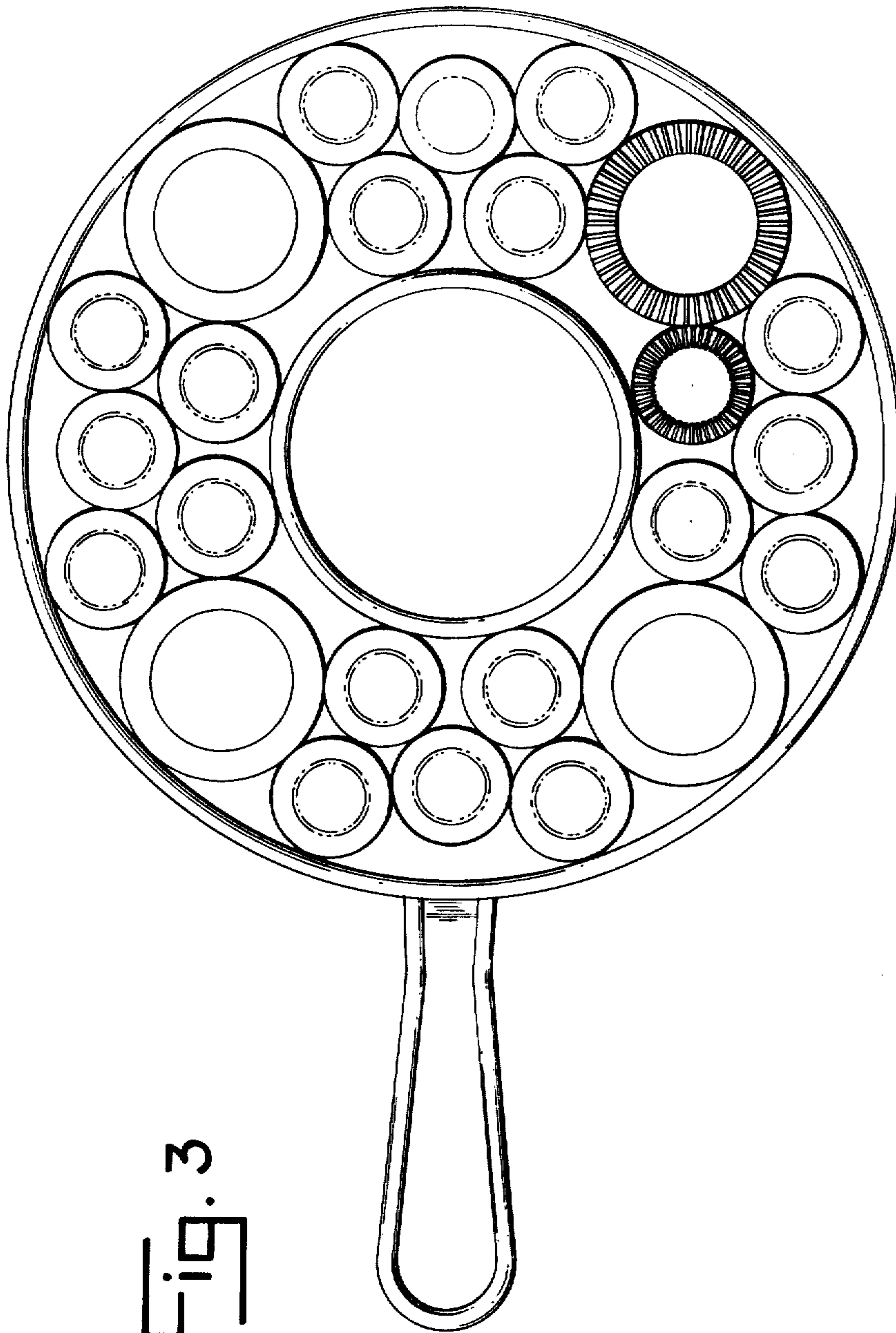


Fig. 3

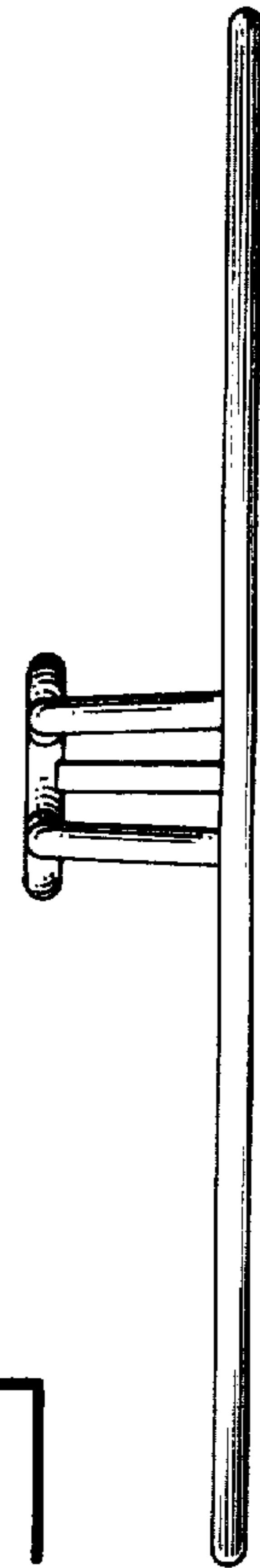


Fig. 4

Fig. 5

