

[54] LABEL DISPENSER OR THE LIKE

3,332,575 7/1967 Pilot et al. .... 221/8  
3,828,972 8/1974 Bender ..... 221/197

[75] Inventors: Jack V. Croyle, North Providence, R.I.; Rino Conti, Stoughton, Mass.

Primary Examiner—George P. Word  
Attorney, Agent, or Firm—Leigh B. Taylor

[73] Assignee: Dart Industries Inc., Los Angeles, Calif.

[57] CLAIM

[\*\*] Term: 14 Years

The ornamental design for a label dispenser or the like, substantially as shown and described.

[21] Appl. No.: 66,905

DESCRIPTION

[22] Filed: Aug. 16, 1979

FIG. 1 is a perspective view of a label dispenser or the like showing our new design;  
FIG. 2 is a top plan view thereof;  
FIG. 3 is a bottom plan view thereof;  
FIG. 4 is an end elevational view thereof;  
FIG. 5 is a side elevational view thereof;  
FIG. 6 is a perspective view thereof in the open position;  
FIG. 7 is a top plan view thereof in the open position;  
FIG. 8 is a bottom plan view similar to FIG. 7;  
FIG. 9 is an end elevational view thereof in the open position; and  
FIG. 10 is a side elevational view thereof similar to FIG. 9.

[51] Int. Cl. .... D19-02

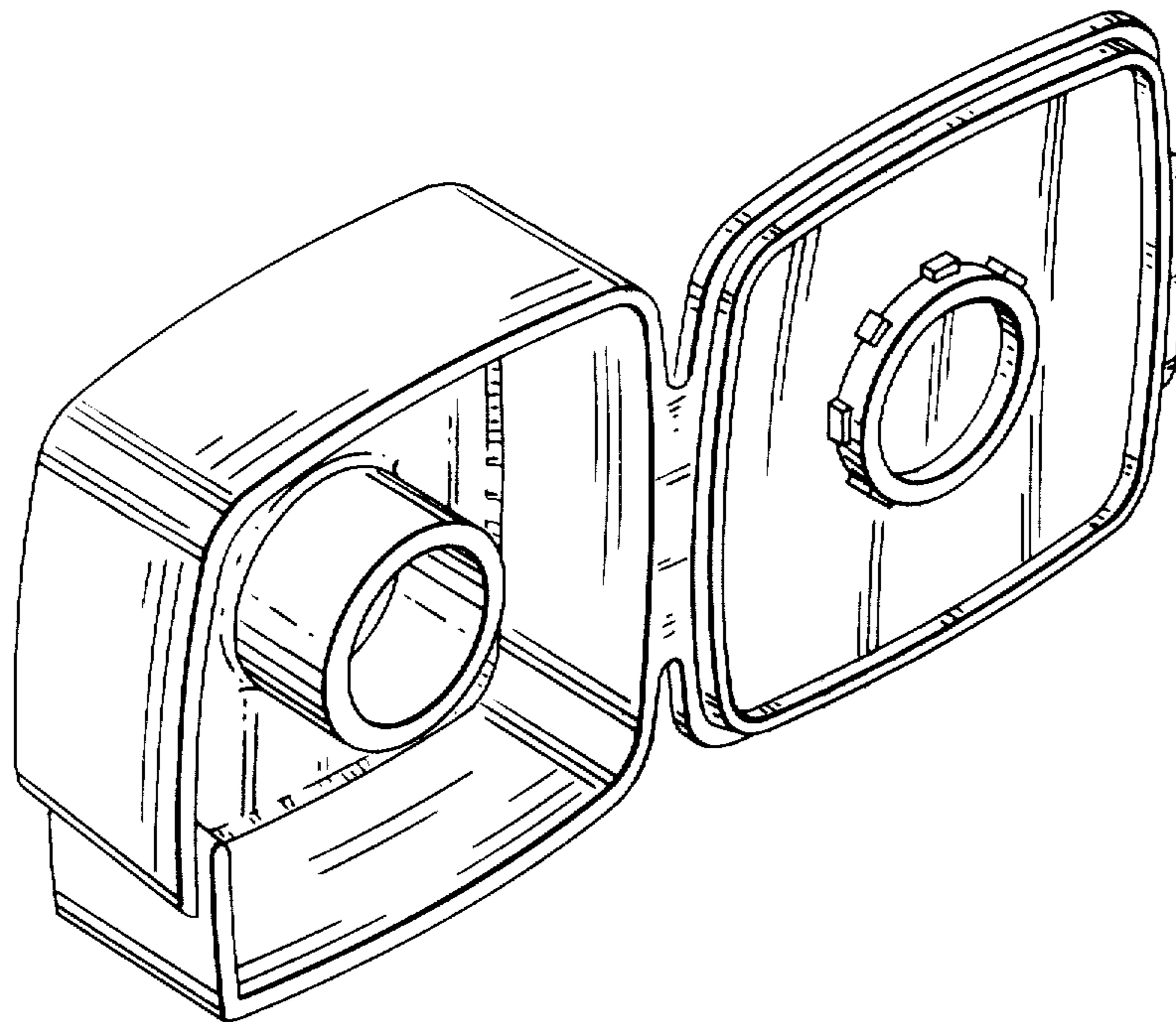
[52] U.S. Cl. .... D19/69

[58] Field of Search ..... D19/67-69,  
D19/89; D10/72; 33/138-139; 225/6, 56, 43;  
221/8, 197

[56] References Cited

U.S. PATENT DOCUMENTS

D. 195,733	7/1963	Kane	.....	D10/72
D. 200,508	3/1965	Bogaus	.....	D19/69
D. 242,607	12/1976	Covey	.....	D10/72
3,102,671	9/1963	Gershen	.....	225/43



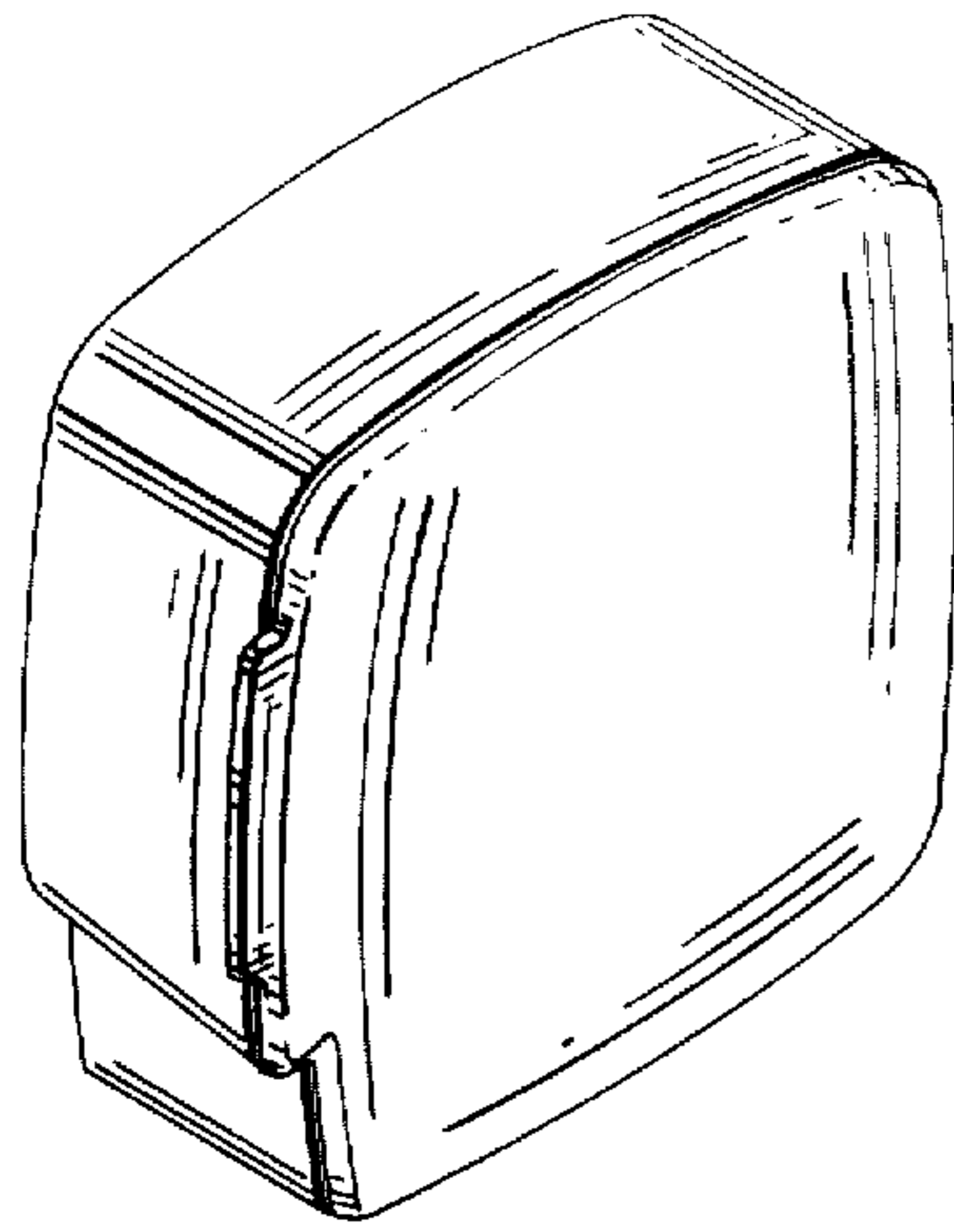


FIG. 1

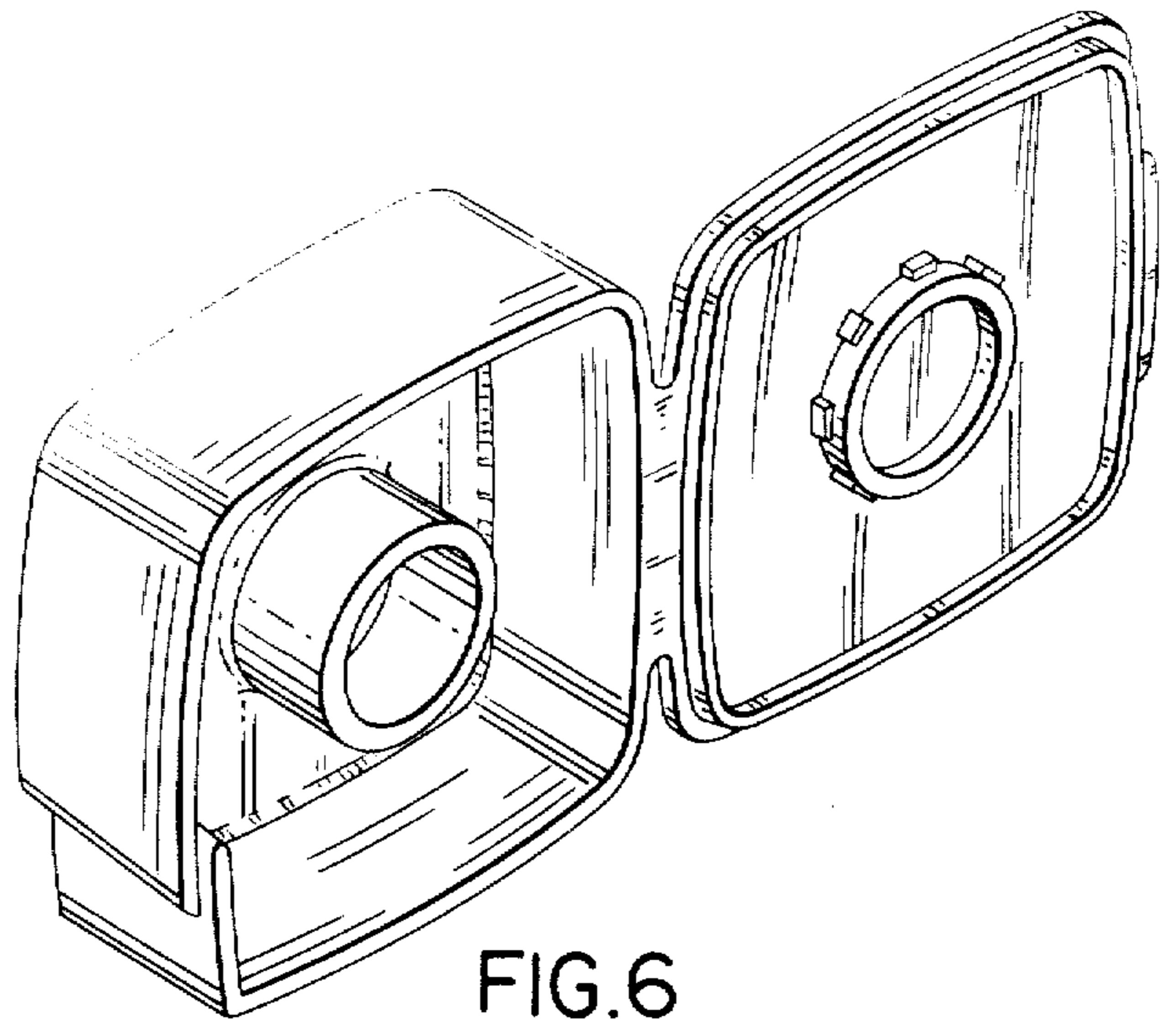


FIG. 6

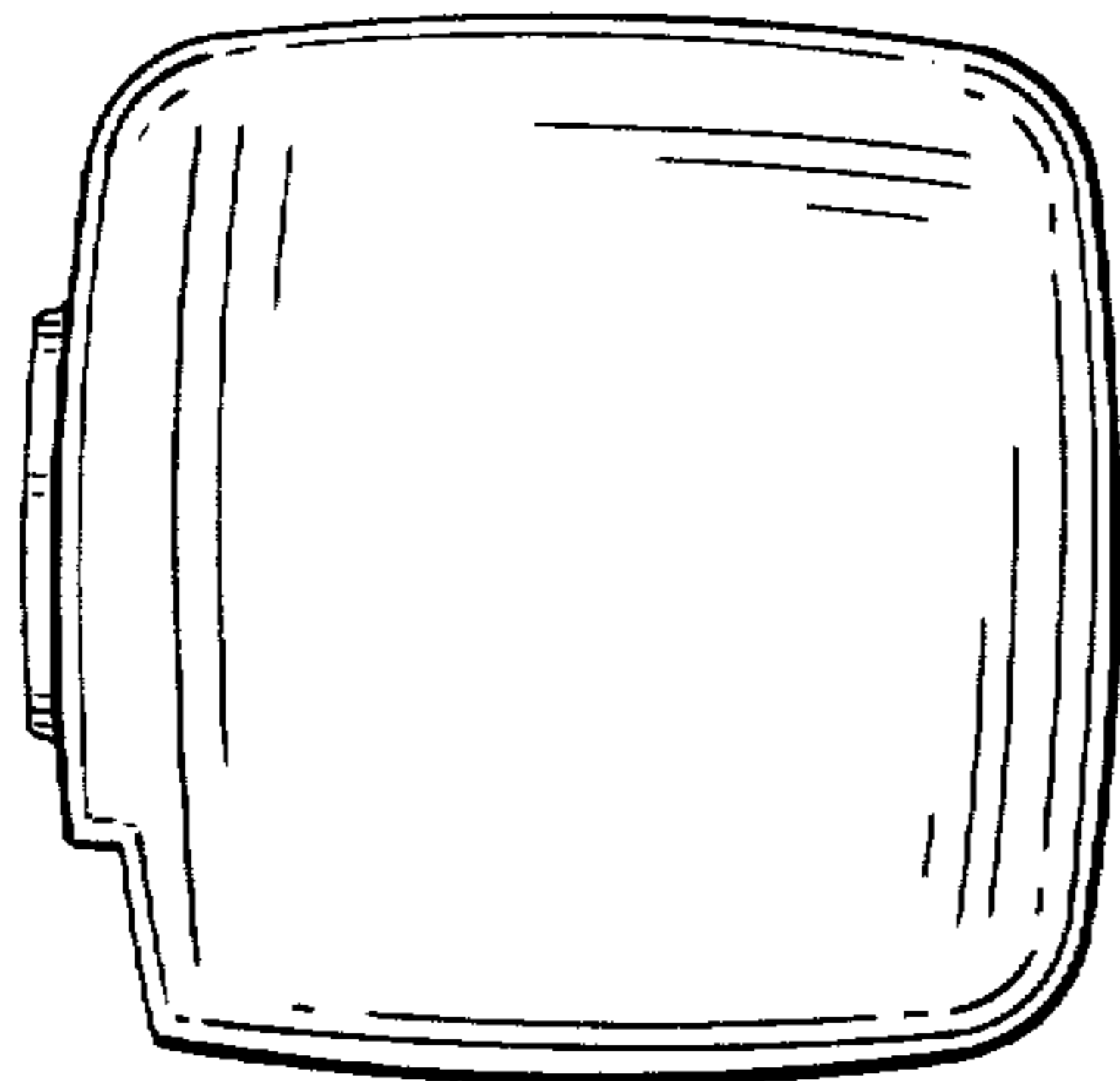


FIG. 2

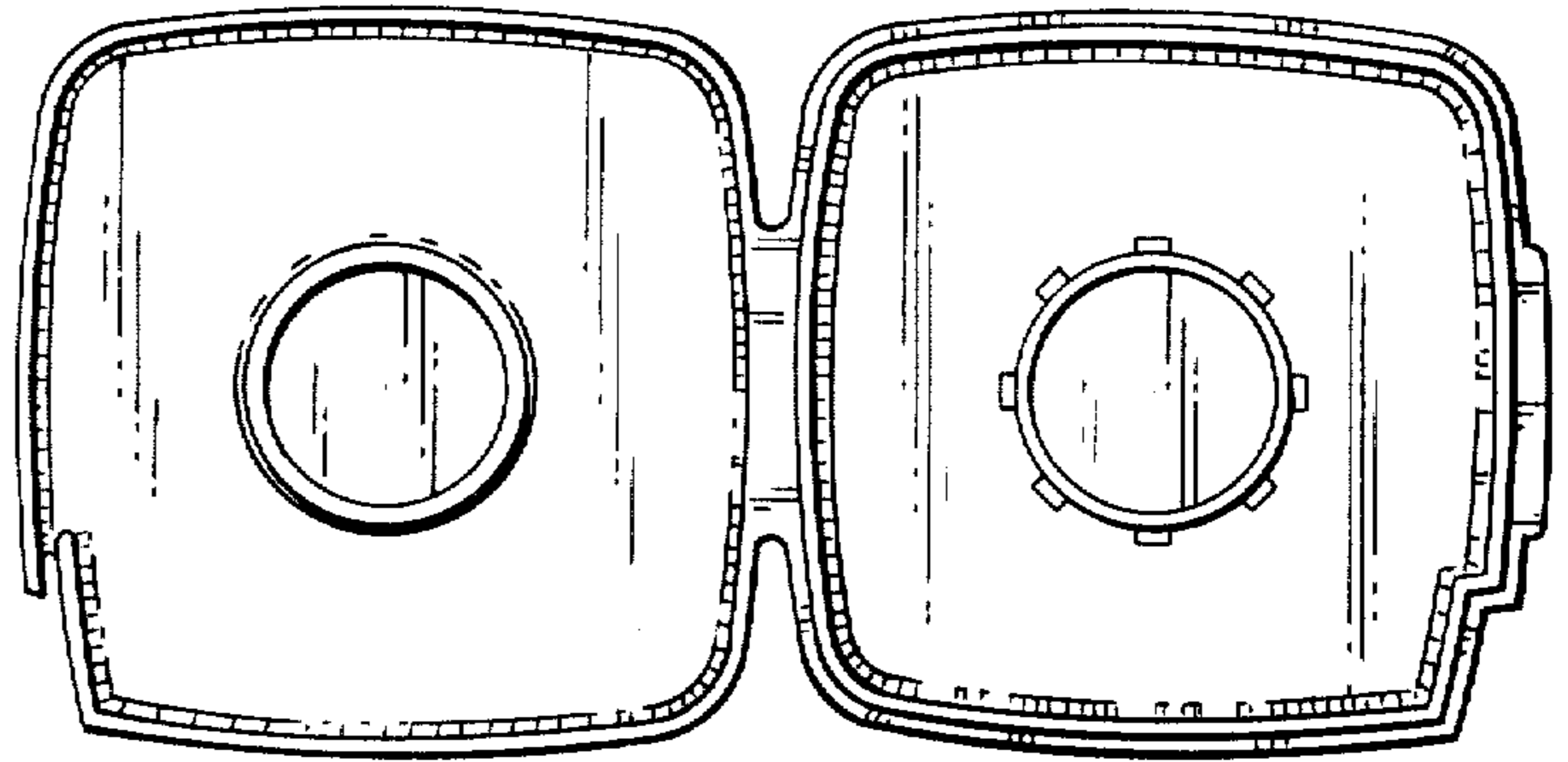


FIG. 7

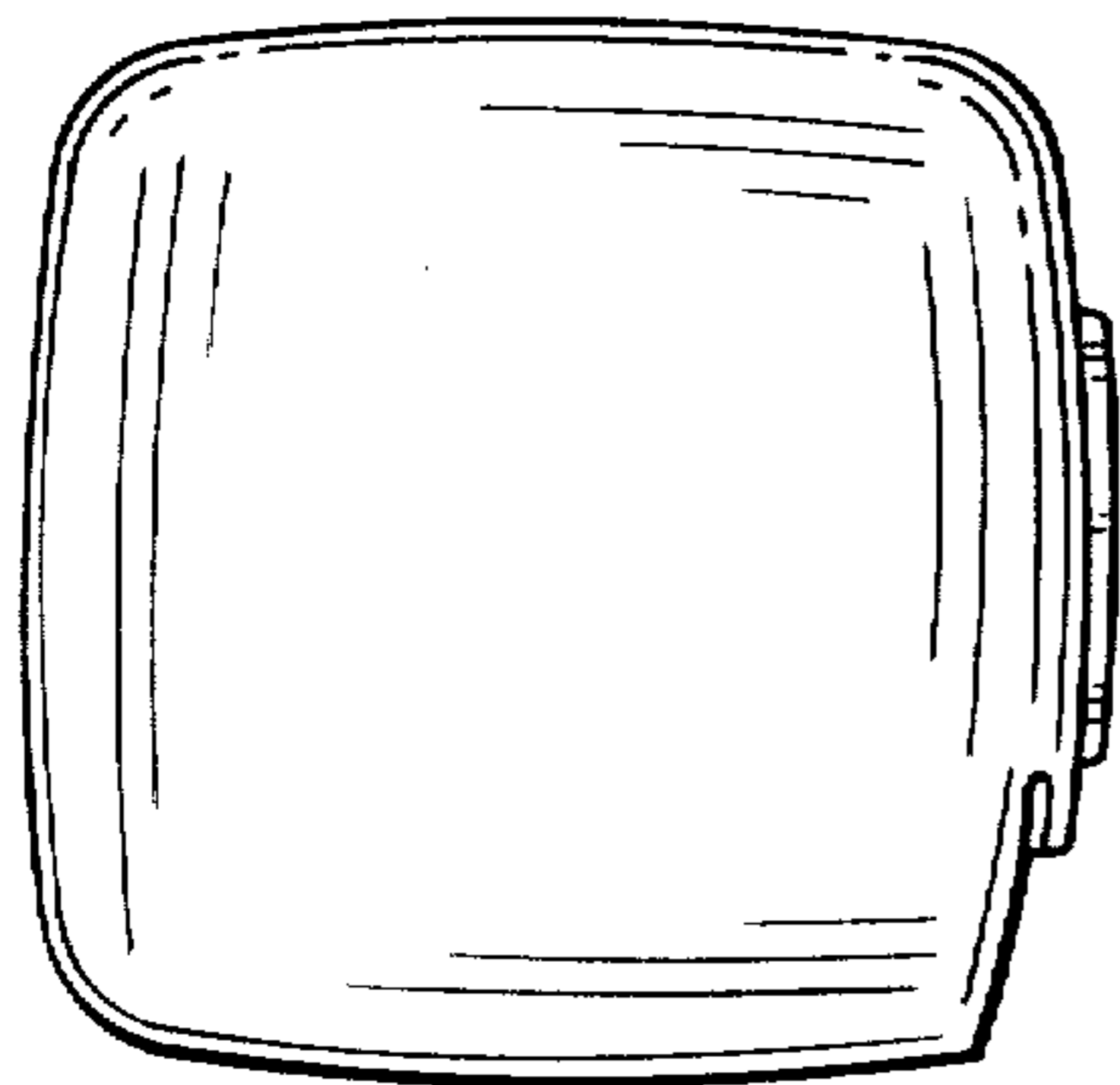


FIG. 3

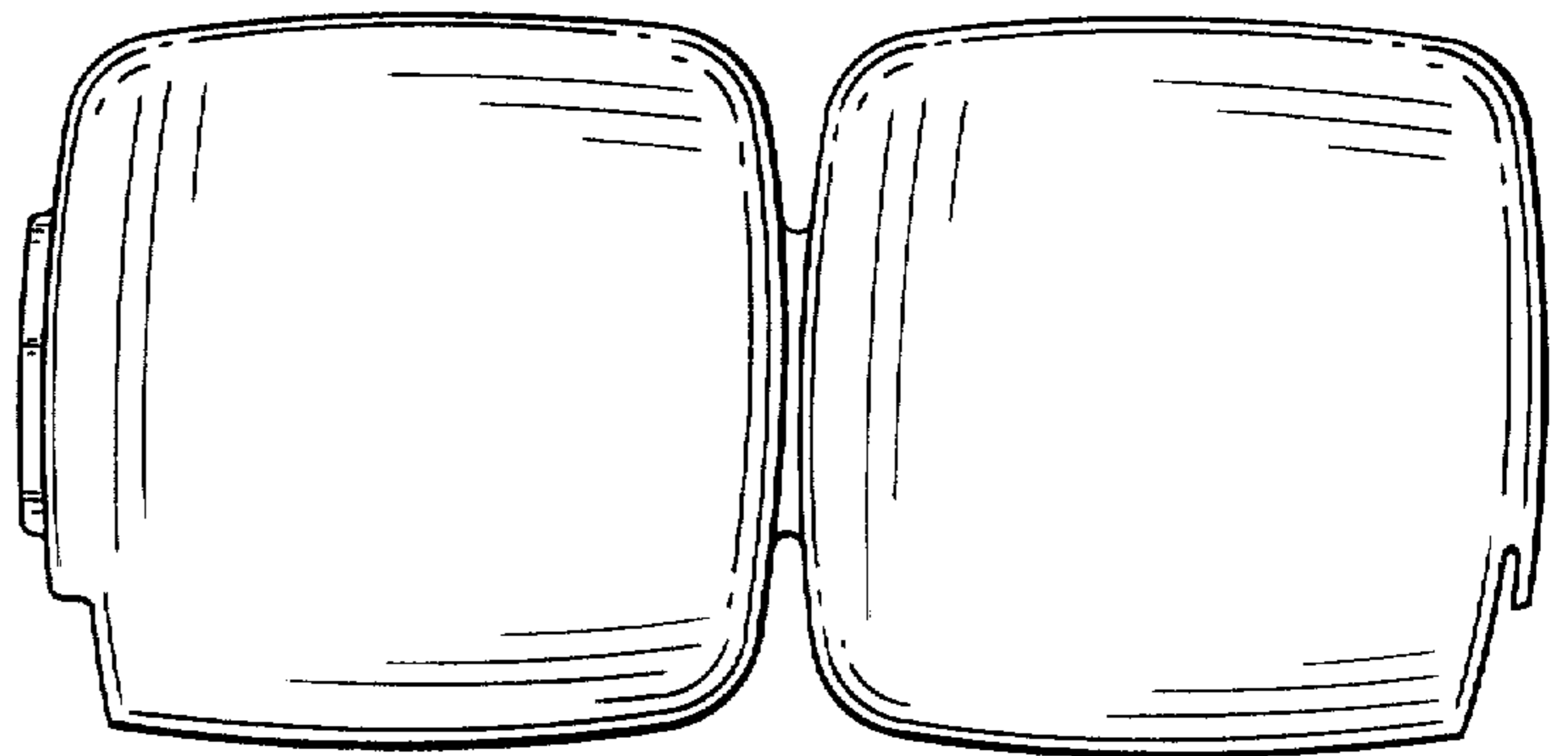


FIG. 8

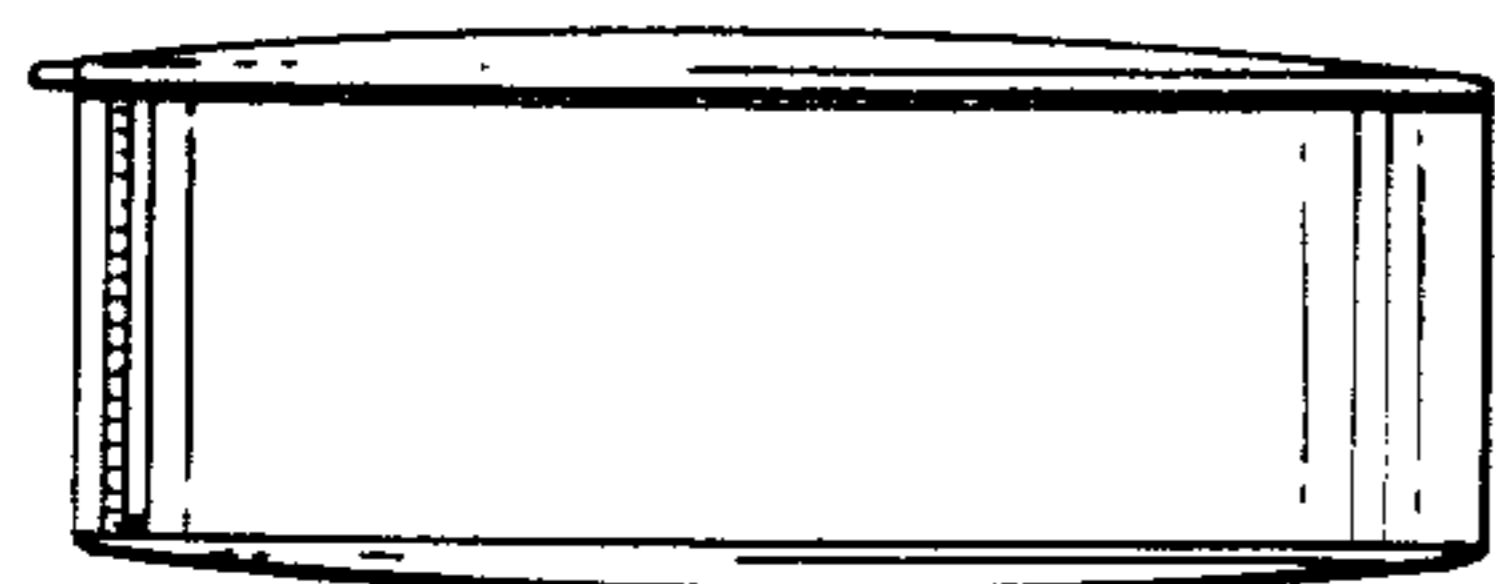


FIG. 4

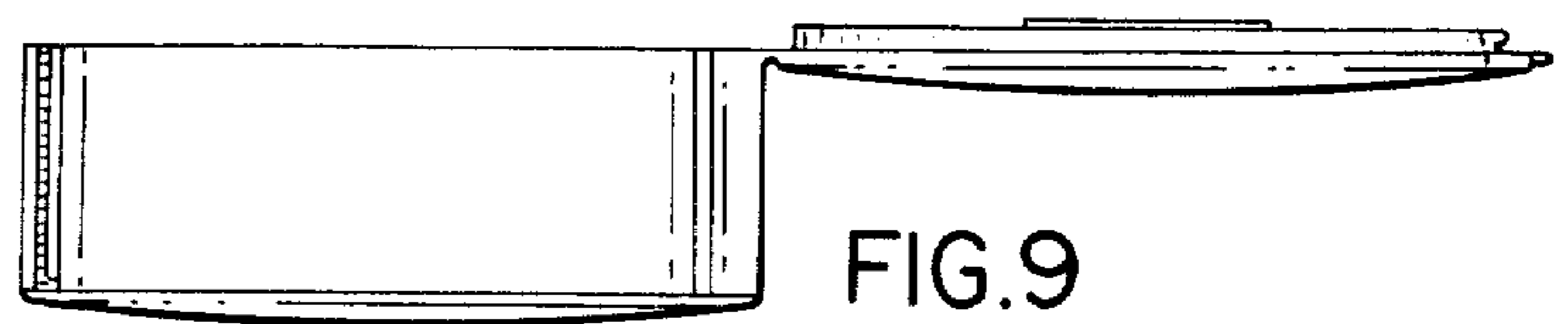


FIG. 9



FIG. 5

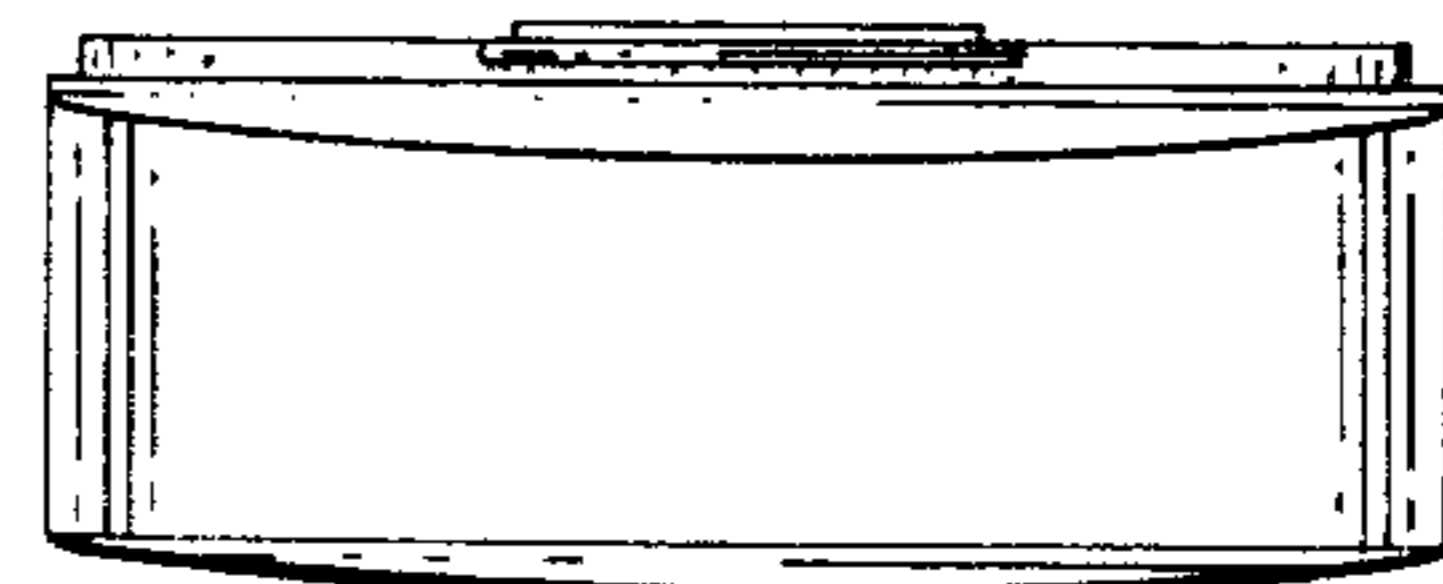


FIG. 10