

[54] MICROSCOPE

[75] Inventors: Heinrich Janke, Braunfeld; Hans-Kurt Uellenberg, Edingen, both of Fed. Rep. of Germany

[73] Assignee: Ernst Leitz Wetzlar GmbH, Wetzlar, Fed. Rep. of Germany

[**] Term: 14 Years

[21] Appl. No.: 46,313

[22] Filed: Jun. 7, 1979

[30] Foreign Application Priority Data
Dec. 8, 1978 [DE] Fed. Rep. of Germany 5MR200

[51] Int. Cl. D16-06
[52] U.S. Cl. D16/131
[58] Field of Search 350/87-89,
350/49, 39; D16/57, 58

[56] References Cited

U.S. PATENT DOCUMENTS

D. 215,889	11/1969	Suzuki	D16/57
D. 242,242	11/1976	Hoogesteger et al.	D16/57
D. 252,276	7/1979	Griffith	D16/57
3,565,512	2/1971	Peck	350/39
3,971,622	7/1976	Yoshinaga	350/87
4,226,503	10/1980	Irazoqui	350/39

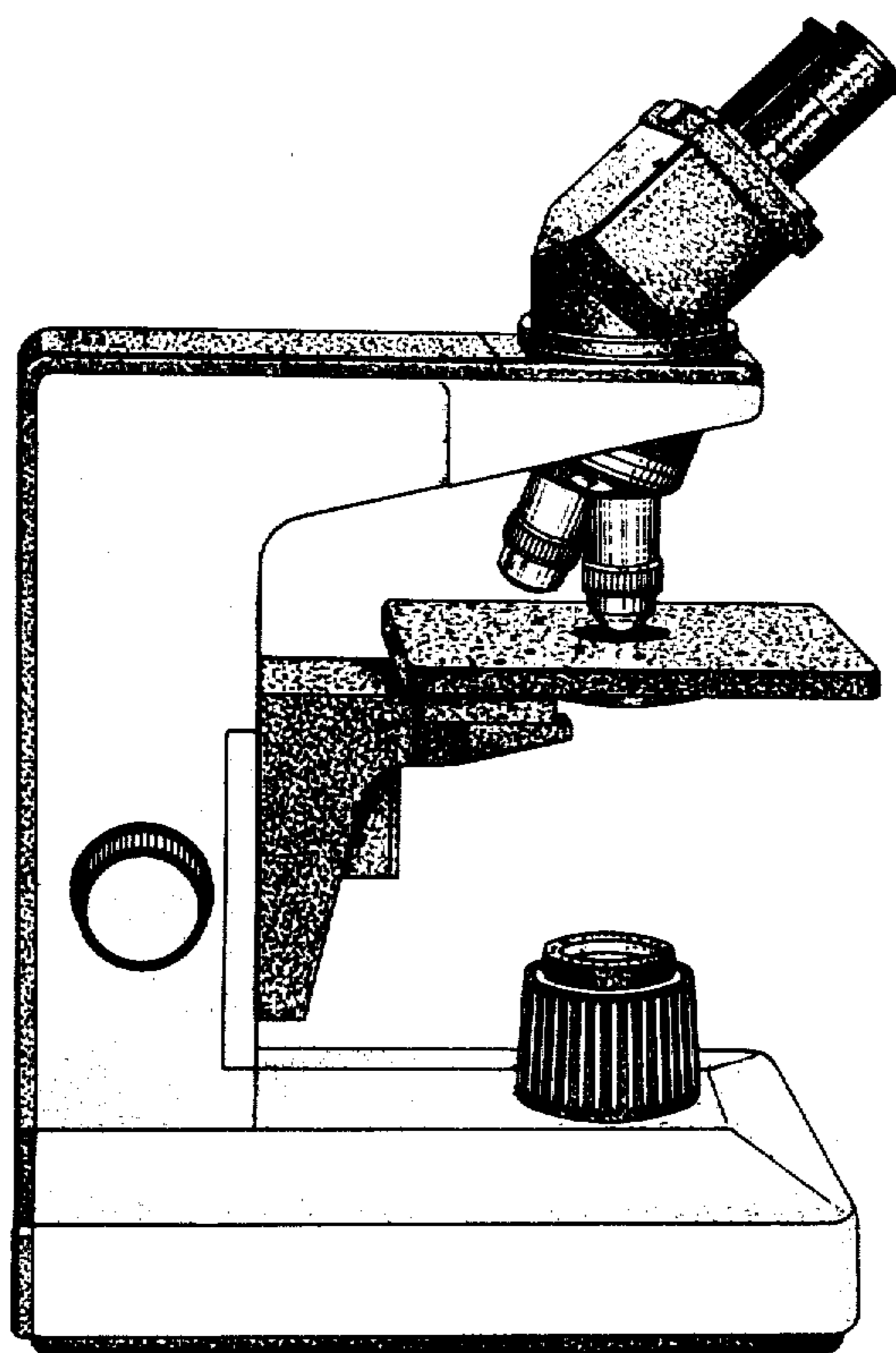
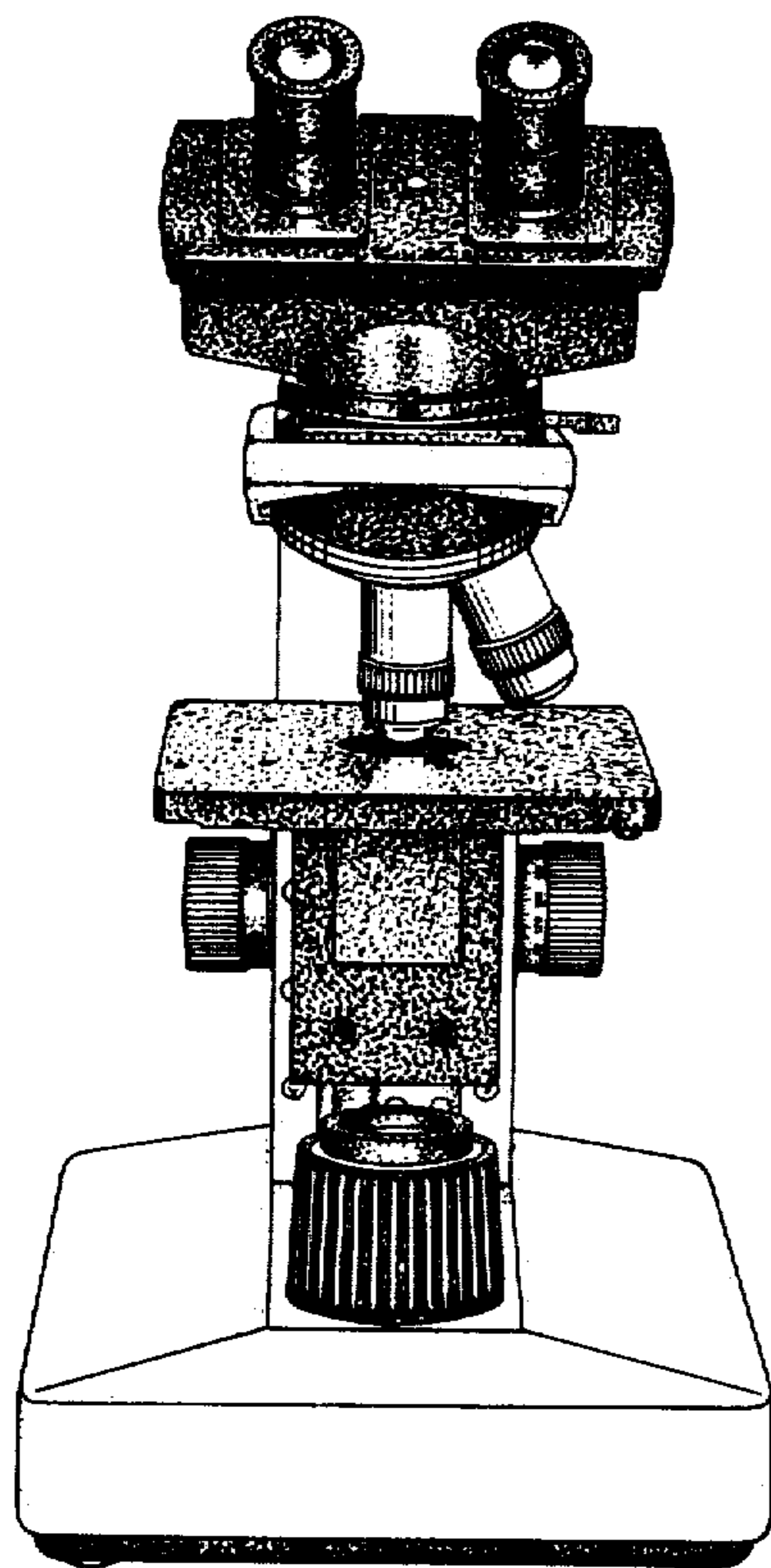
Primary Examiner—Bernard Ansher
Attorney, Agent, or Firm—Schwartz, Jeffery, Schwaab, Mack, Blumenthal & Koch

[57] CLAIM

The ornamental design for a microscope, as shown.

DESCRIPTION

FIG. 1 is a front perspective view of the microscope; showing our new design;
FIG. 2 is a rear perspective view of the microscope;
FIG. 3 is a left side perspective view of the microscope;
FIG. 4 is a right side perspective view of the microscope;
FIG. 5 is a bottom plan view of the microscope, and
FIG. 6 is a top plan view of the microscope.



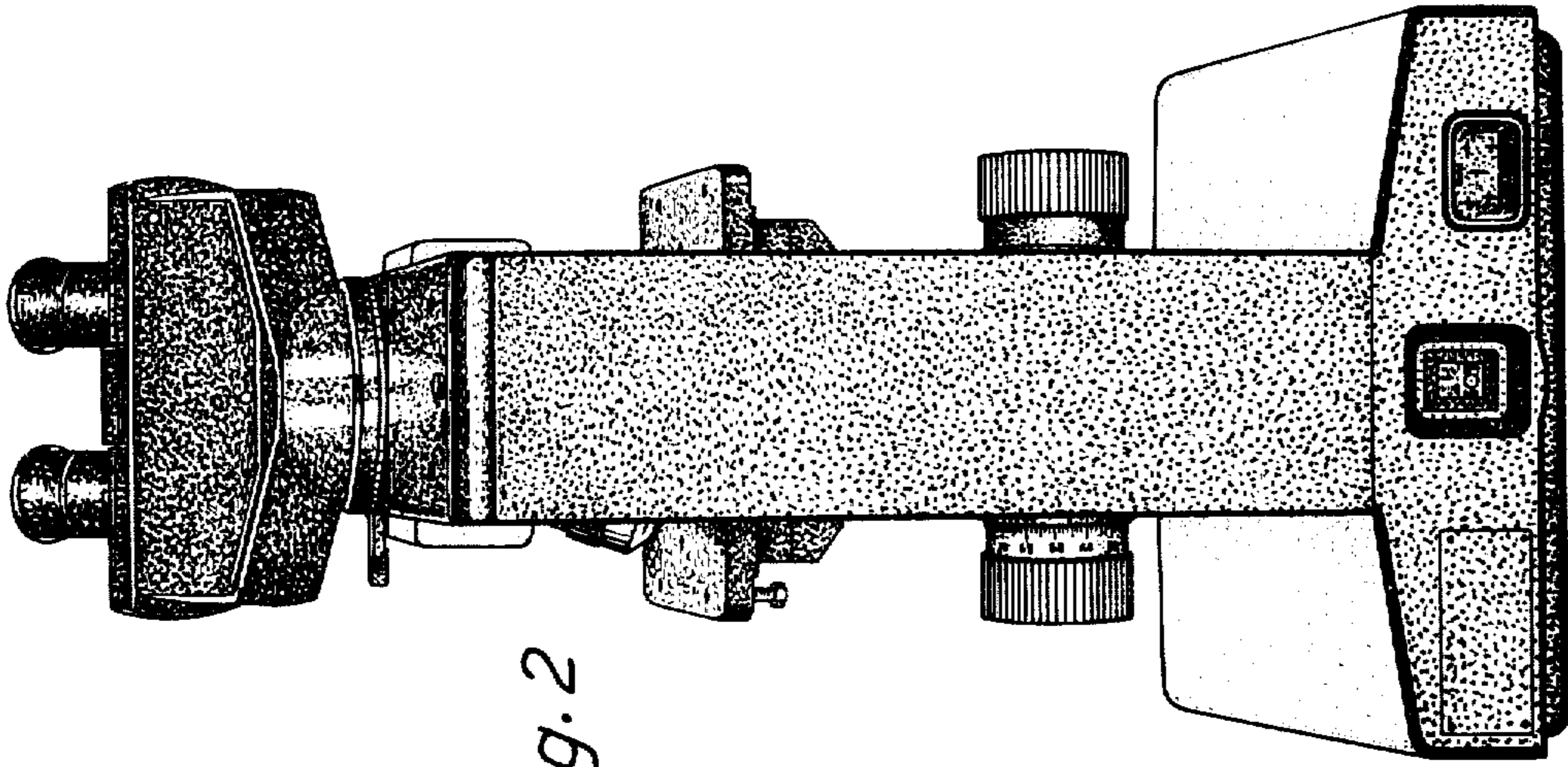


Fig. 2

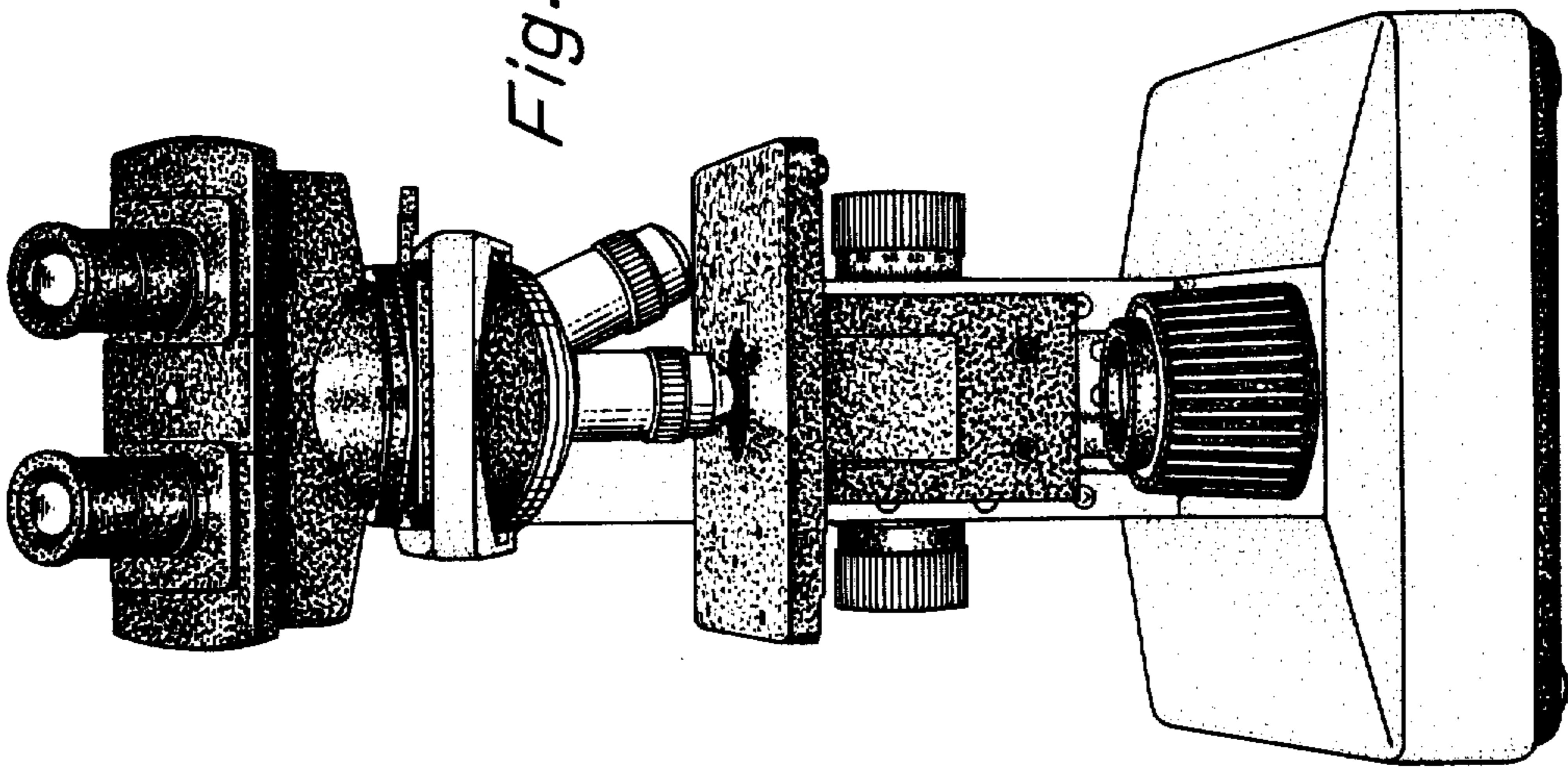


Fig. 1

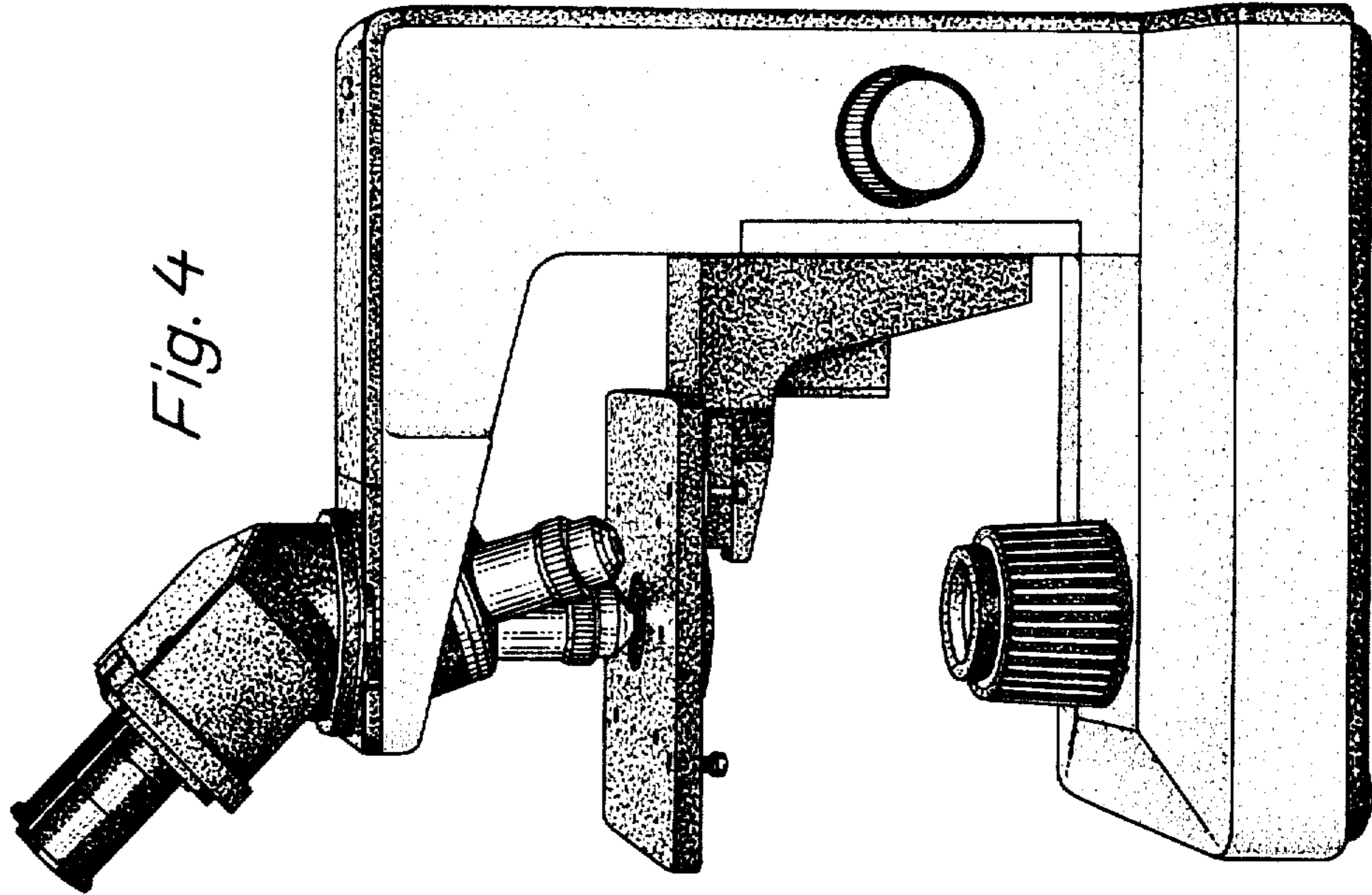


Fig. 4

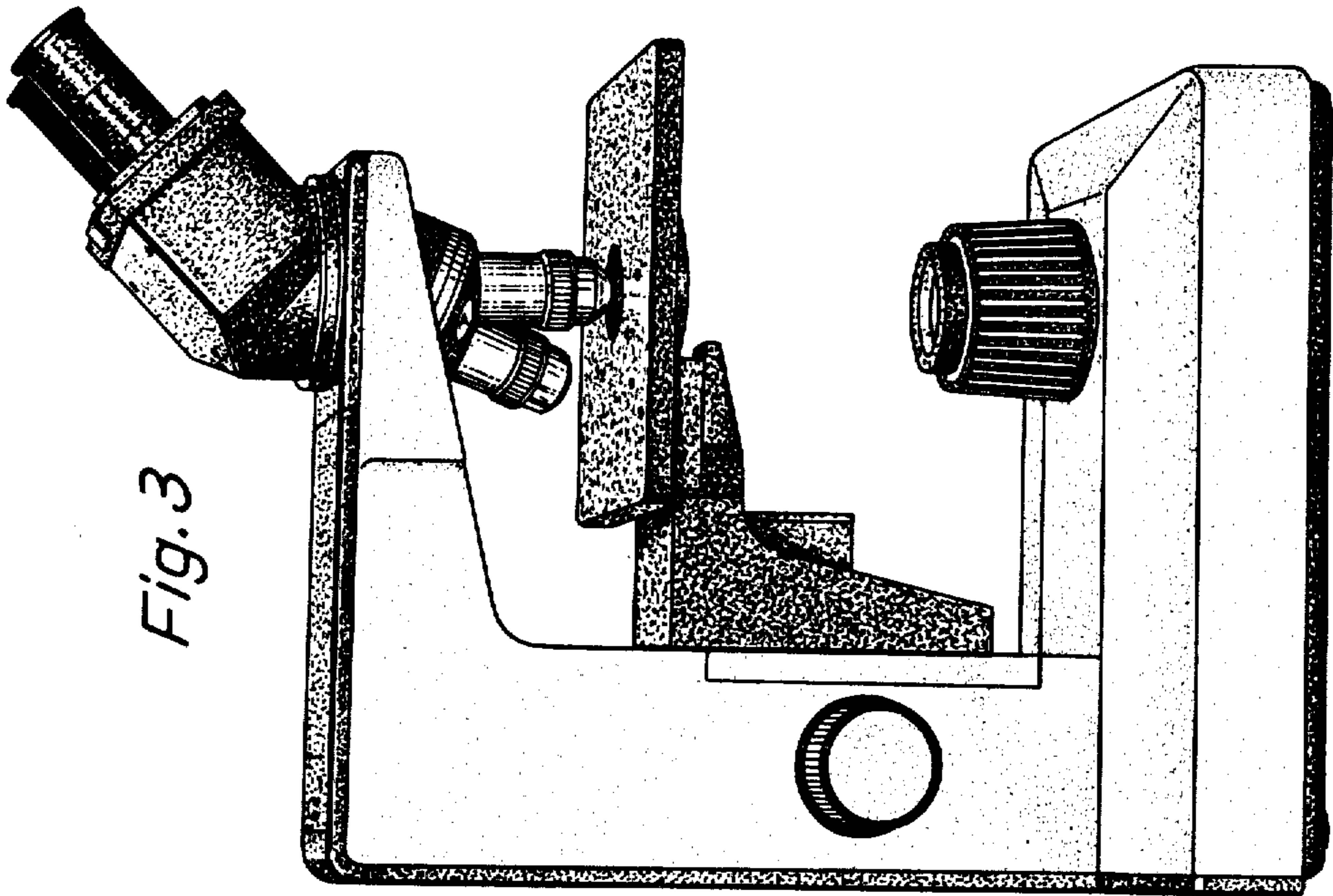


Fig. 3

Fig. 6

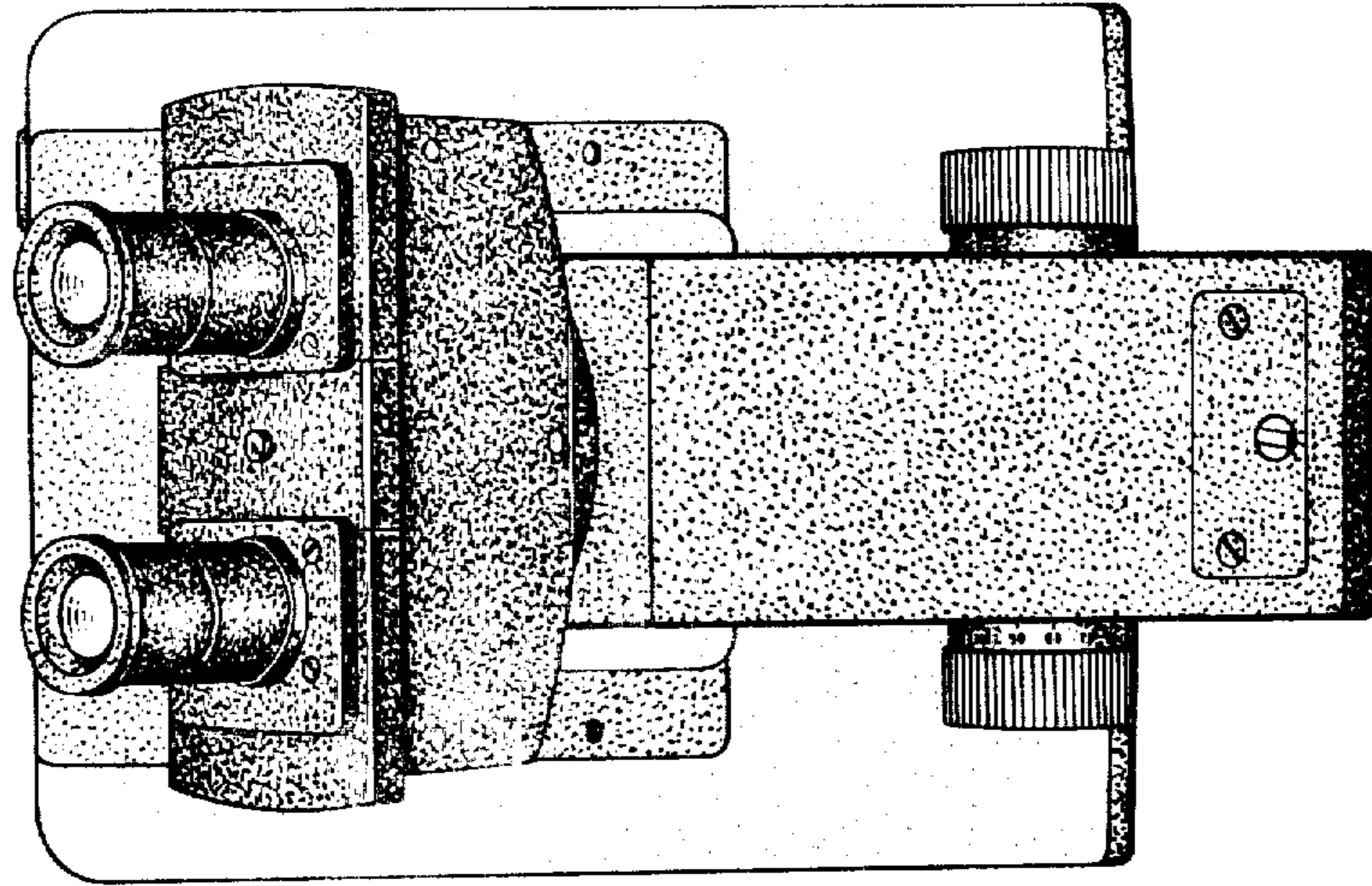


Fig. 5

