

[54] CAMERA

[75] Inventor: Yasuo Hattori, Hachioji, Japan

[73] Assignee: Olympus Optical Company Ltd.,
Tokyo, Japan

[**] Term: 14 Years

[21] Appl. No.: 62,691

[22] Filed: Aug. 1, 1979

[30] Foreign Application Priority Data

Feb. 7, 1979 [JP] Japan 54/4297

[51] Int. Cl. D16-01

[52] U.S. Cl. D16/5

[58] Field of Search D16/1-10;
354/139, 145, 149, 170, 174, 187, 202, 288, 286

[56] References Cited

U.S. PATENT DOCUMENTS

D. 257,982 1/1981 Maitani D16/5

3,680,455 8/1972 Meinunger 354/187
3,741,097 6/1973 Fuduka et al. 354/187
3,750,549 8/1973 Waaske 354/286
4,171,894 10/1979 Yamada 354/187
4,240,735 12/1980 Maitani et al. 354/288

Primary Examiner—Peter M. Caun
Attorney, Agent, or Firm—Weinstein & Sutton

[57] CLAIM

The ornamental design for a camera, as shown and described.

DESCRIPTION

FIG. 1 is a top, front and right side perspective view of a camera, showing my new design;
FIG. 2 is a rear, bottom and left side perspective view thereof;
FIG. 3 is a top view thereof;
FIG. 4 is a front view thereof;
FIG. 5 is a bottom view thereof;
FIG. 6 is a rear view thereof;
FIG. 7 is a left side view thereof; and
FIG. 8 is a right side view thereof.

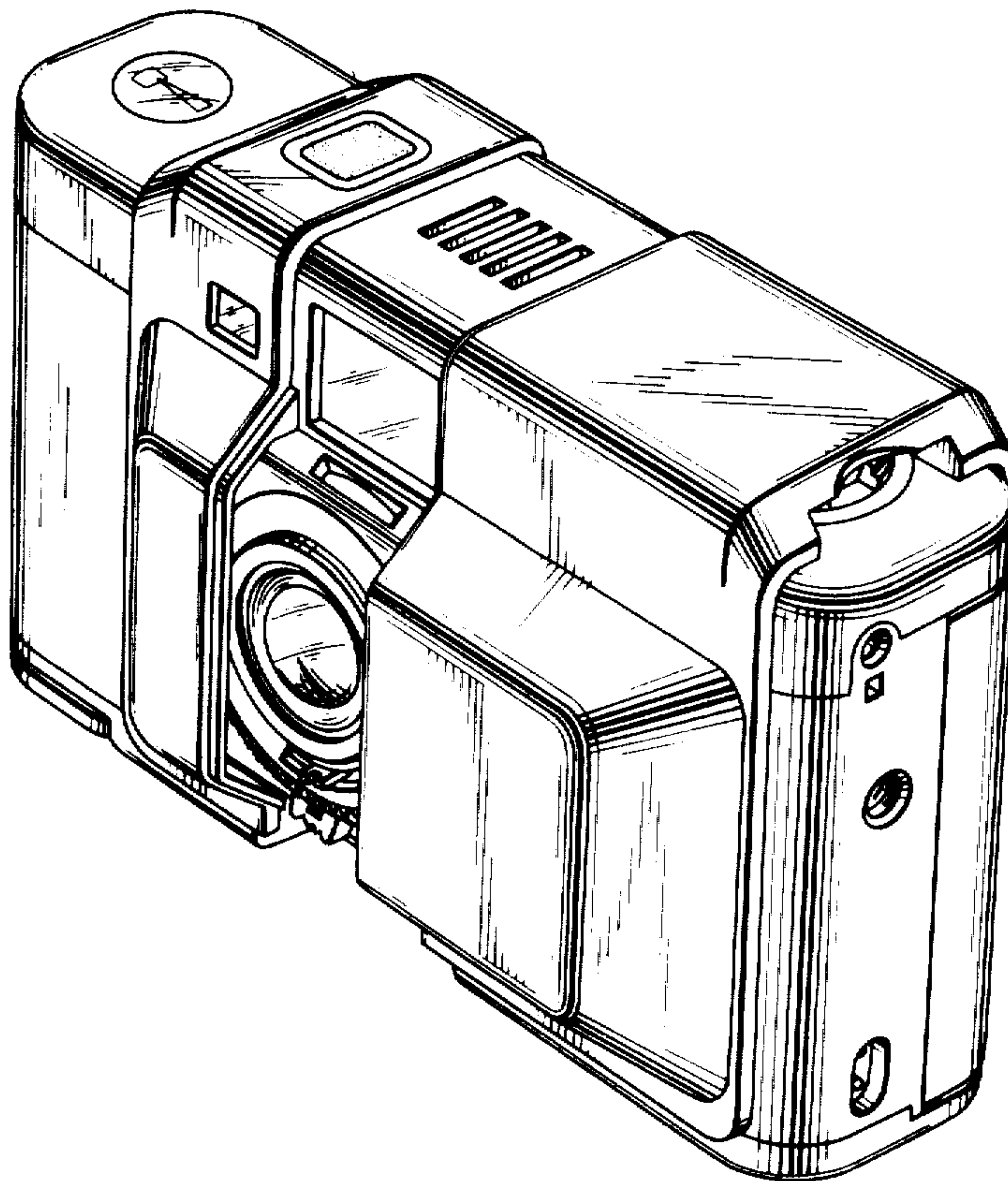


FIG. 1

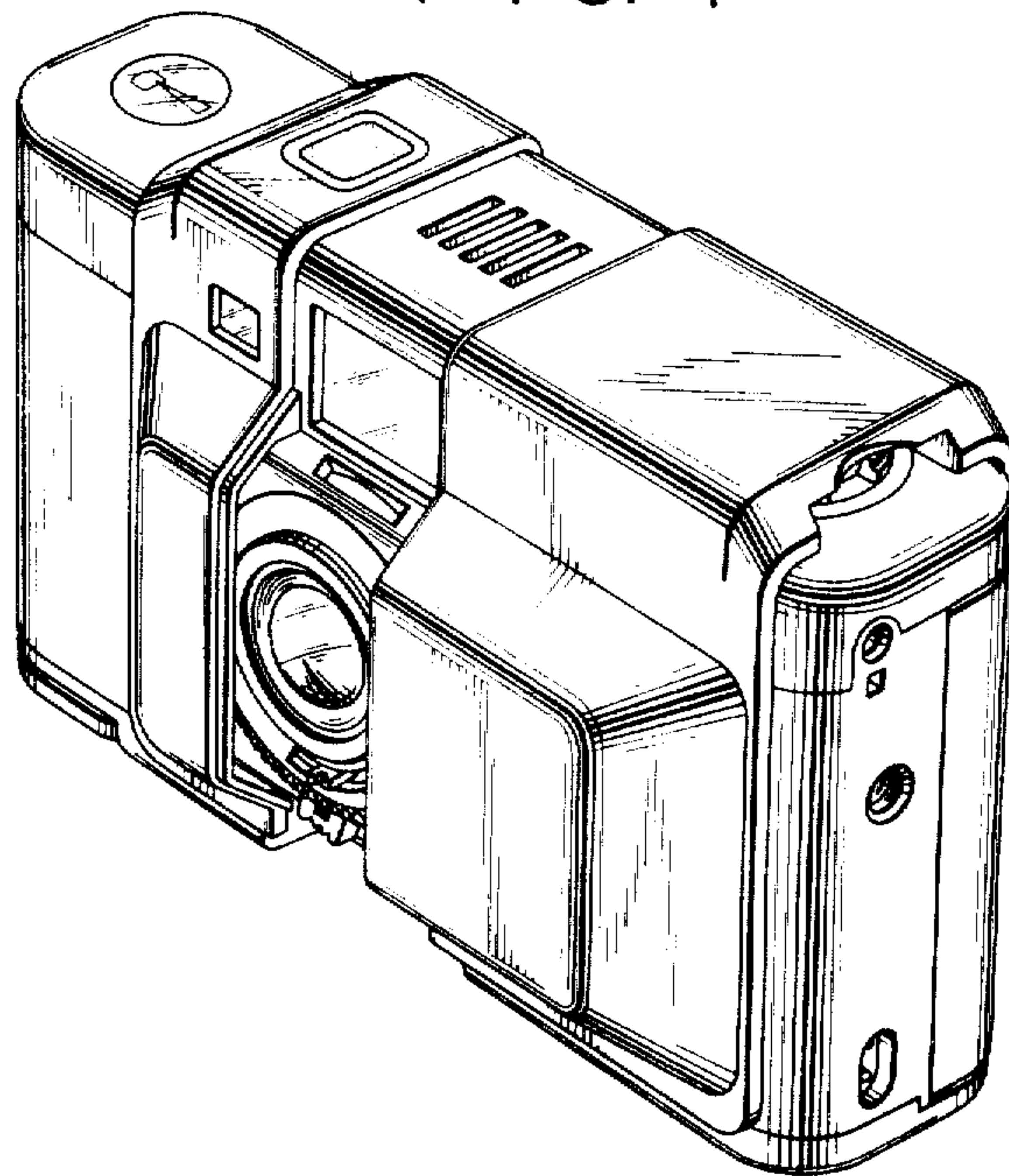


FIG. 2

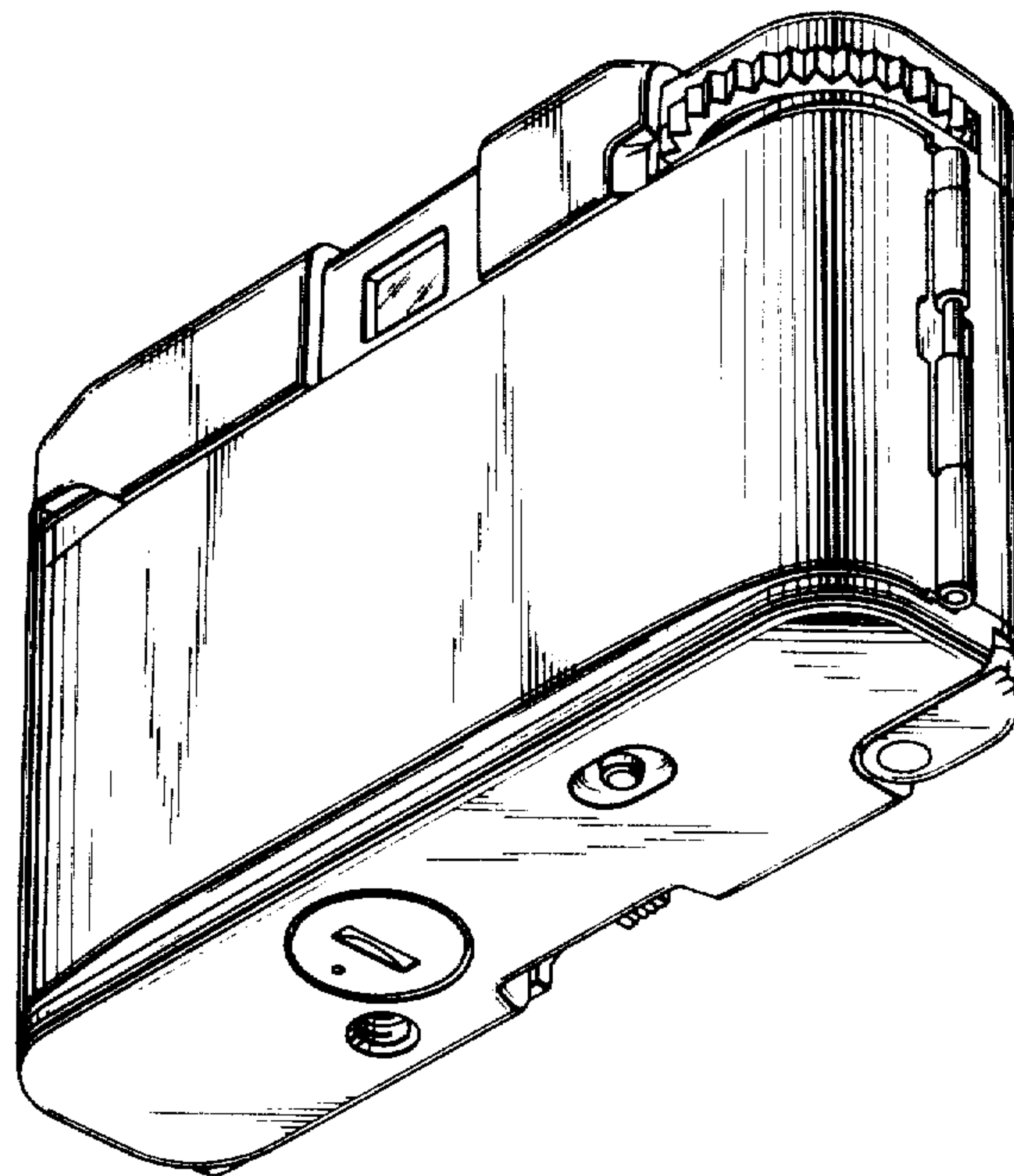


FIG. 3

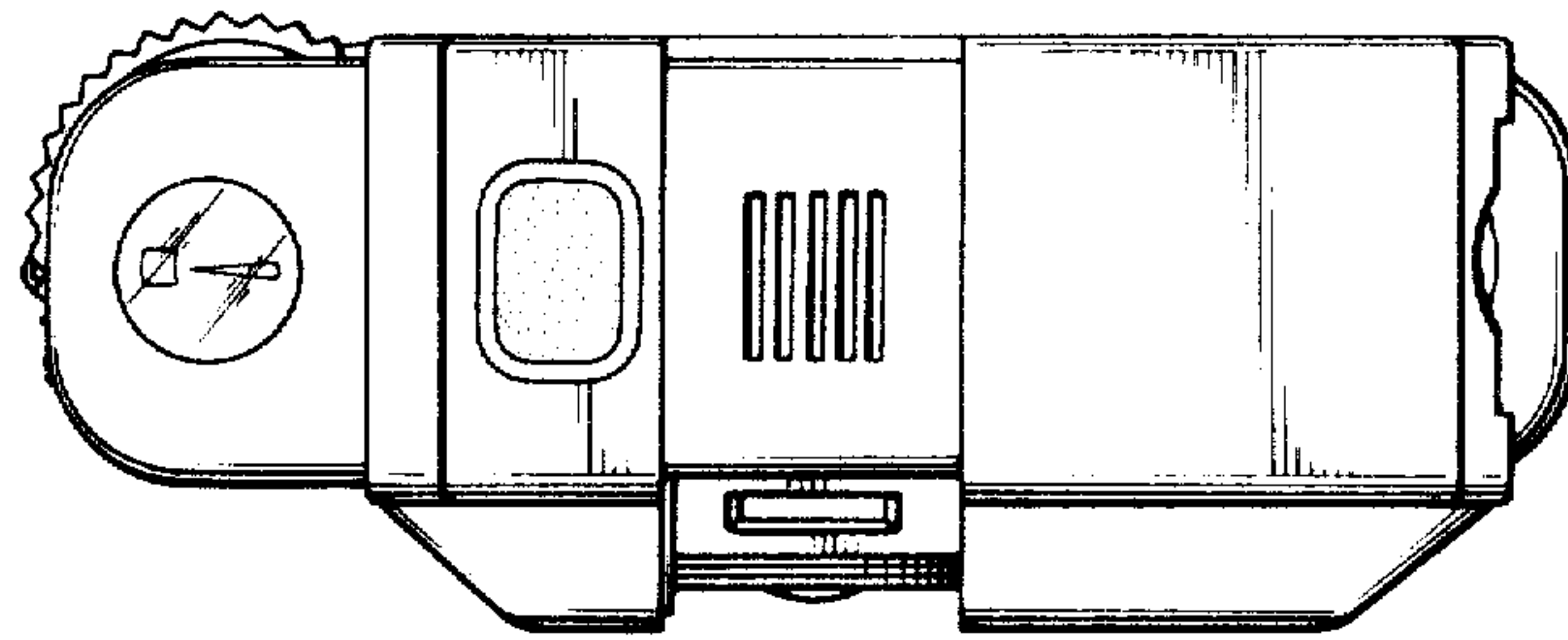


FIG. 4

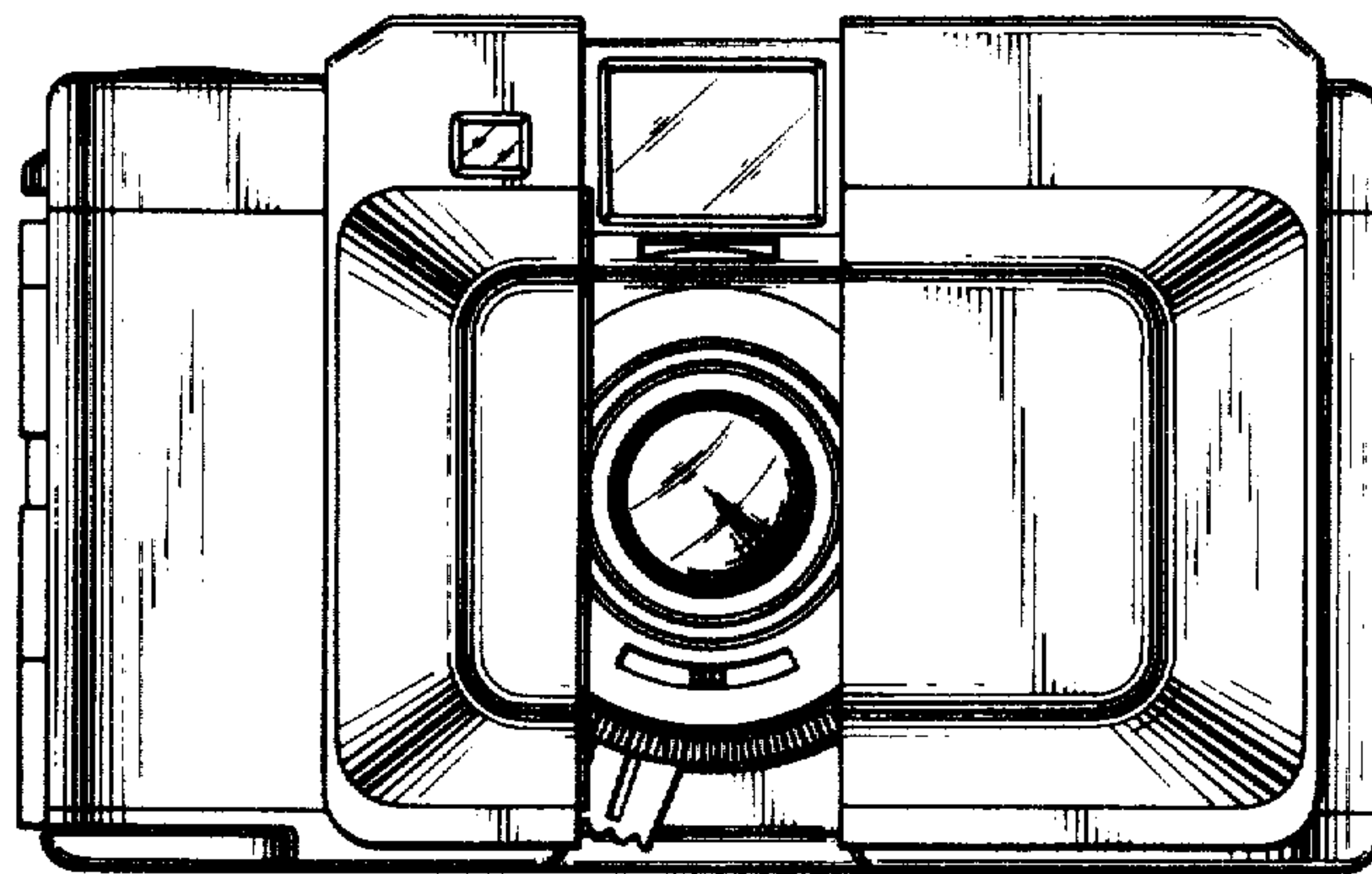


FIG. 5

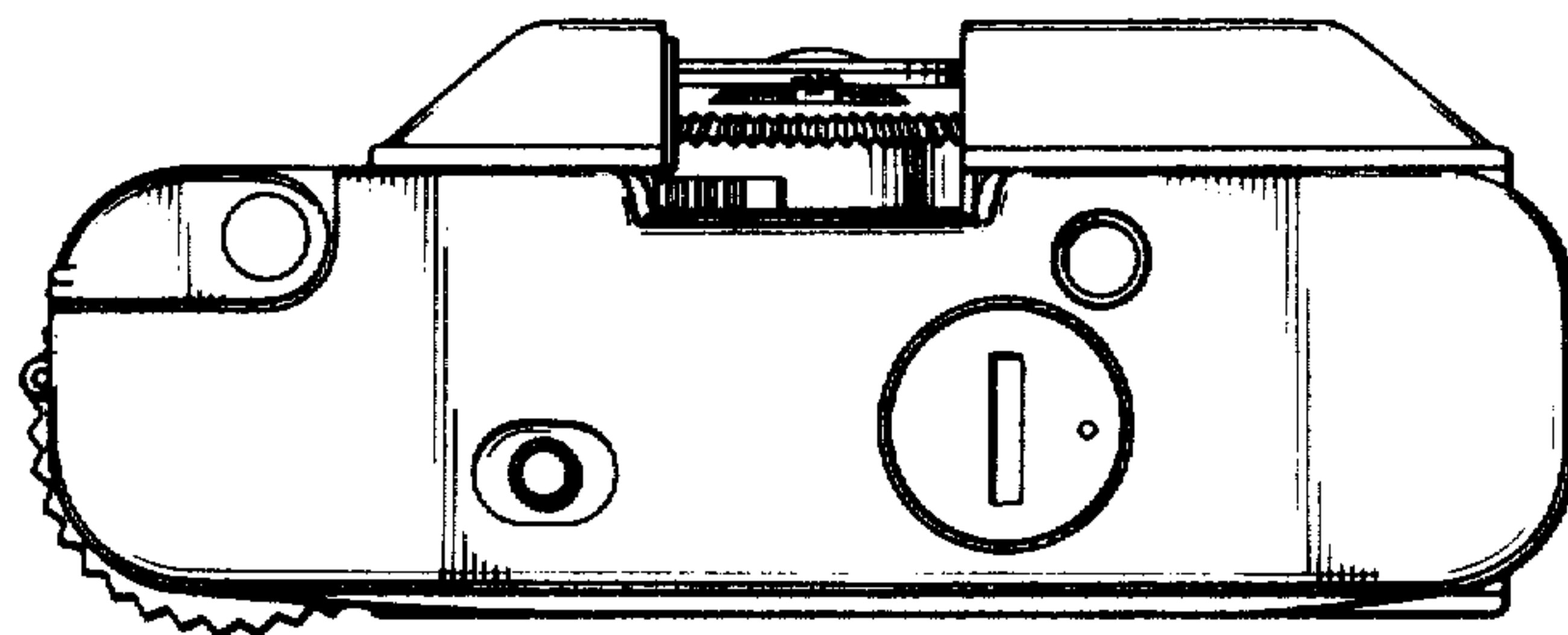


FIG. 6

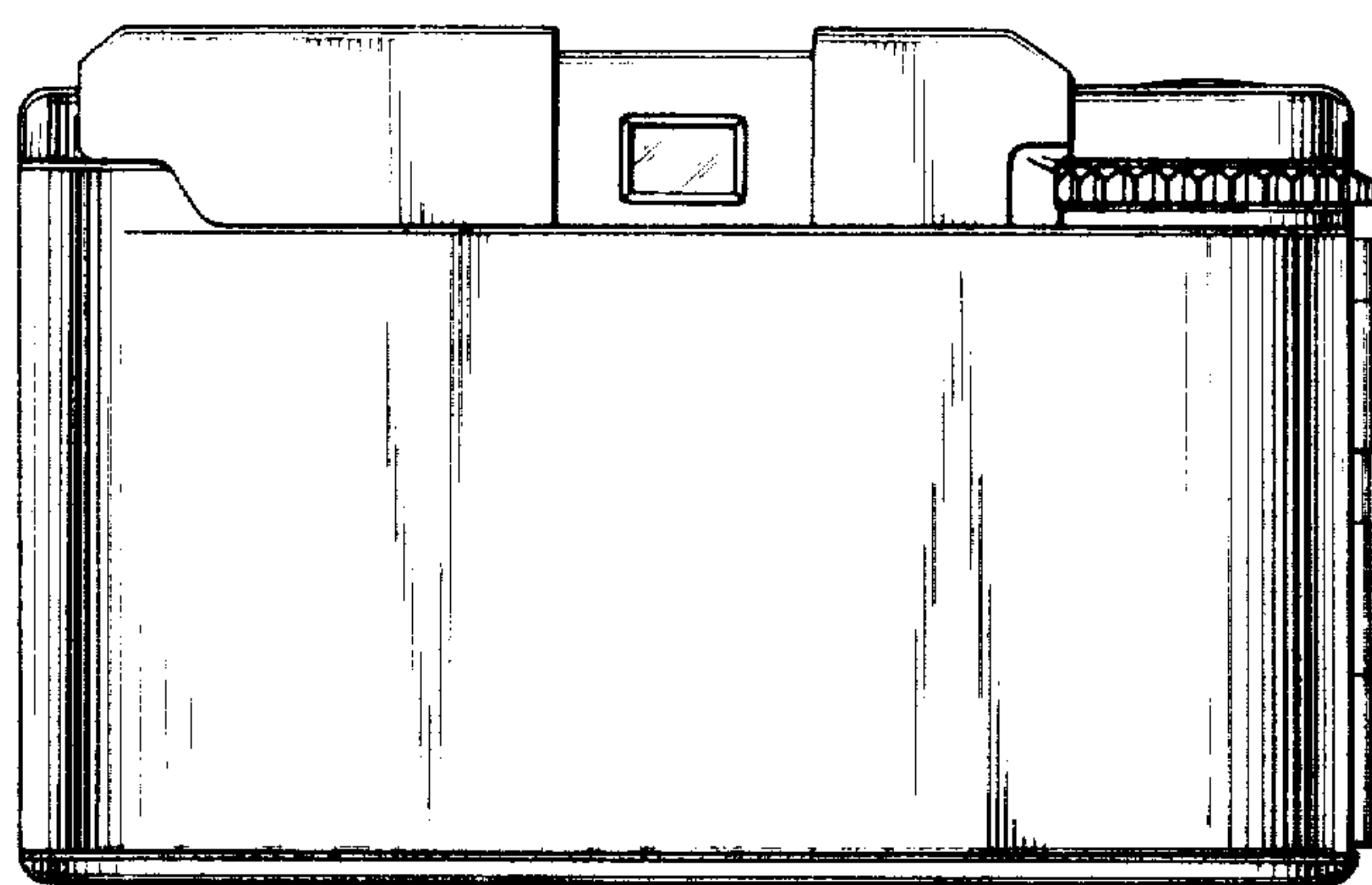


FIG. 7

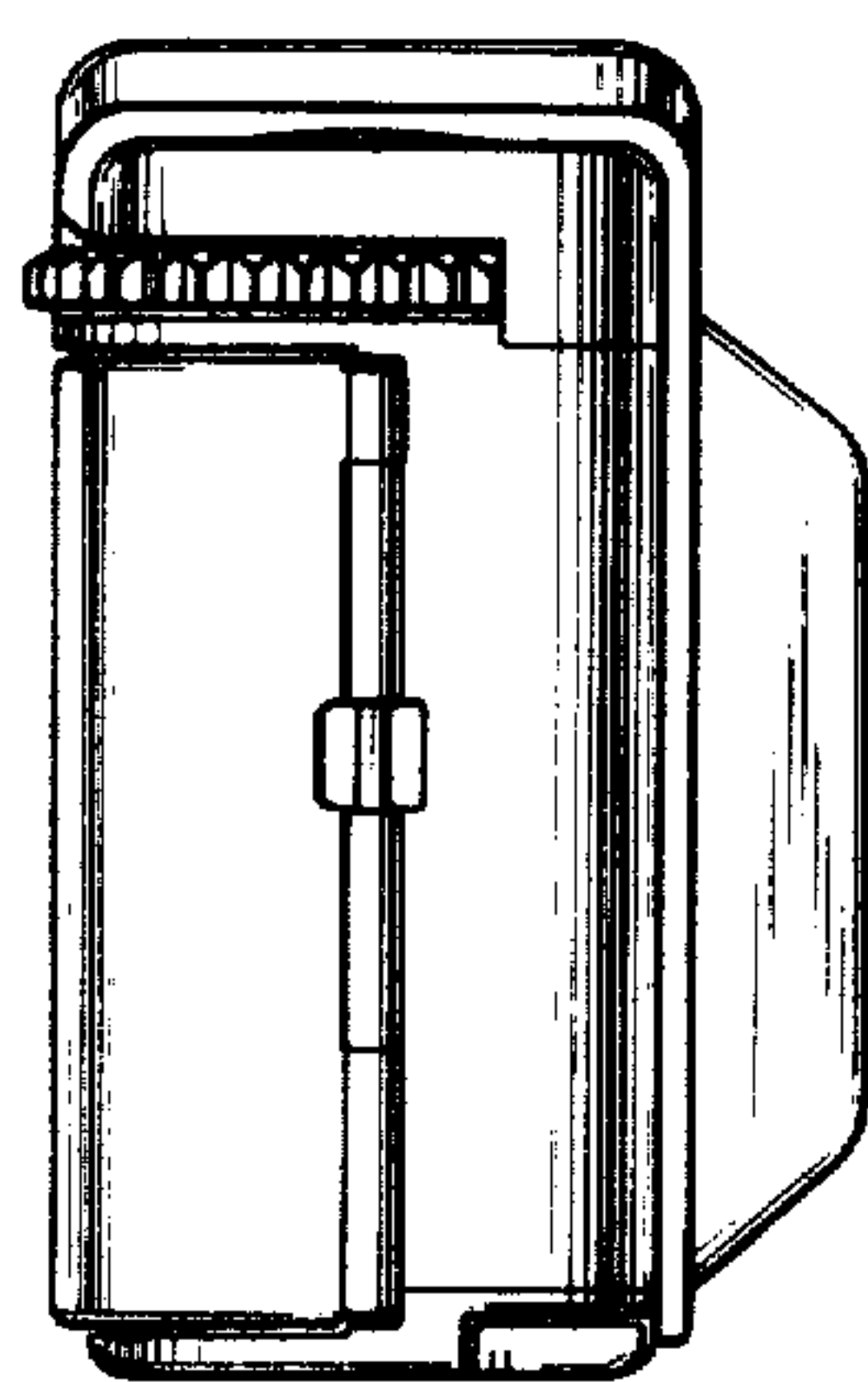


FIG. 8

