

[54] **PORTABLE WELDING TOOL**

[75] Inventor: **Reginald B. P. Bennett**, Brampton,  
Canada

[73] Assignee: **Northern Telecom Limited**, Montreal,  
Canada

[\*\*] Term: **14 Years**

[21] Appl. No.: **49,201**

[22] Filed: **Jun. 18, 1979**

[51] Int. Cl. .... **D15-04**

[52] U.S. Cl. .... **D15/144**; 219/70;  
219/86.21; 219/90; 219/234

[58] Field of Search ..... **D15/144**; 219/70, 90,  
219/86.21, 234

[56] **References Cited**  
**U.S. PATENT DOCUMENTS**

1,659,911 2/1928 Fay ..... 219/234  
2,882,386 4/1959 Hermanny ..... 219/90  
3,924,332 12/1975 Rauch et al. .... 219/234

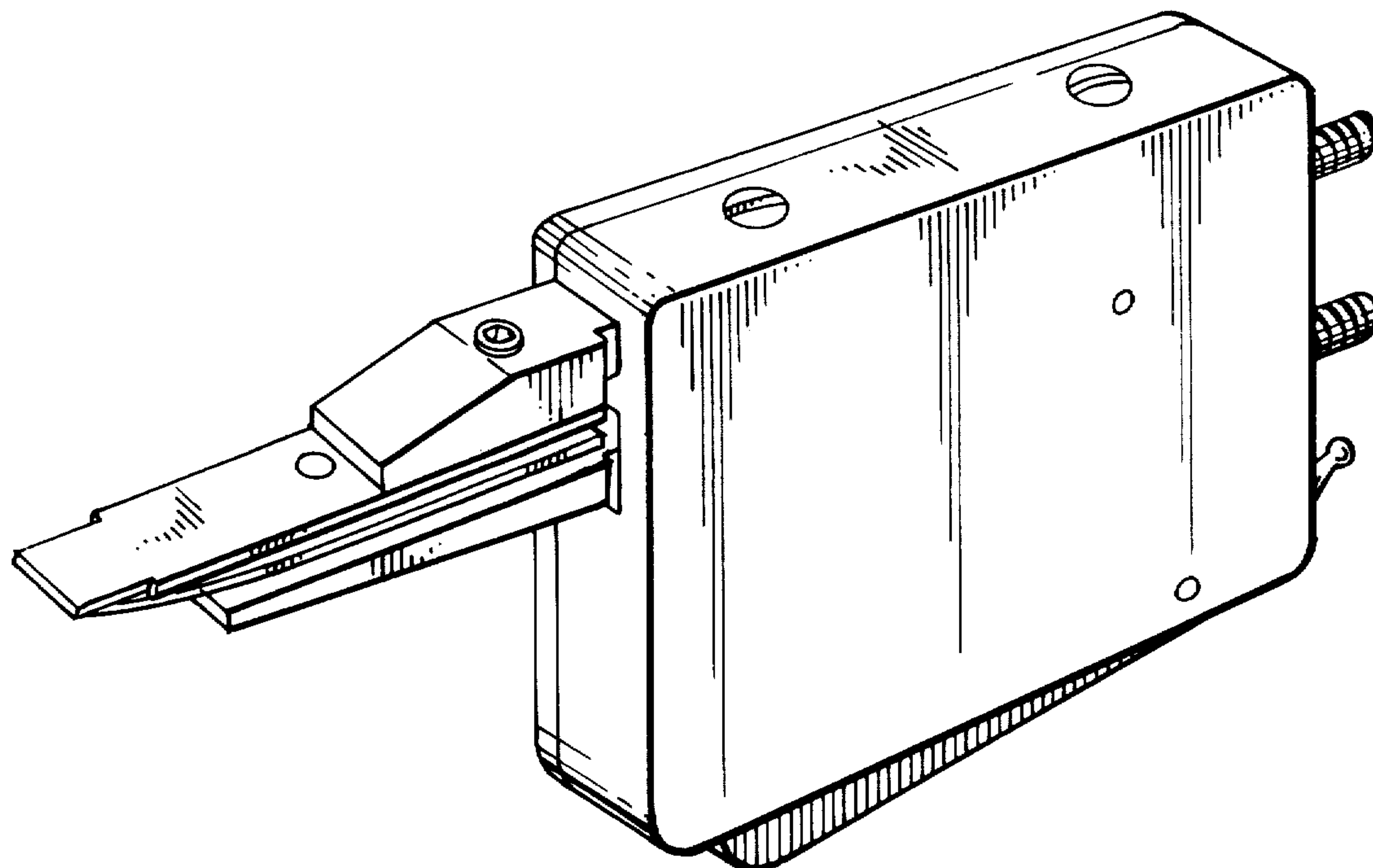
*Primary Examiner*—Veronica O'Keefe  
*Attorney, Agent, or Firm*—Frank P. Turpin

[57] **CLAIM**

The ornamental design for a portable welding tool,  
substantially as shown and described.

**DESCRIPTION**

FIG. 1 is a perspective view of a portable welding tool  
showing my new design;  
FIG. 2 is a side elevational view thereof;  
FIG. 3 is a top view thereof;  
FIG. 4 is a bottom view thereof;  
FIG. 5 is a front view thereof; and  
FIG. 6 is a rear view thereof.



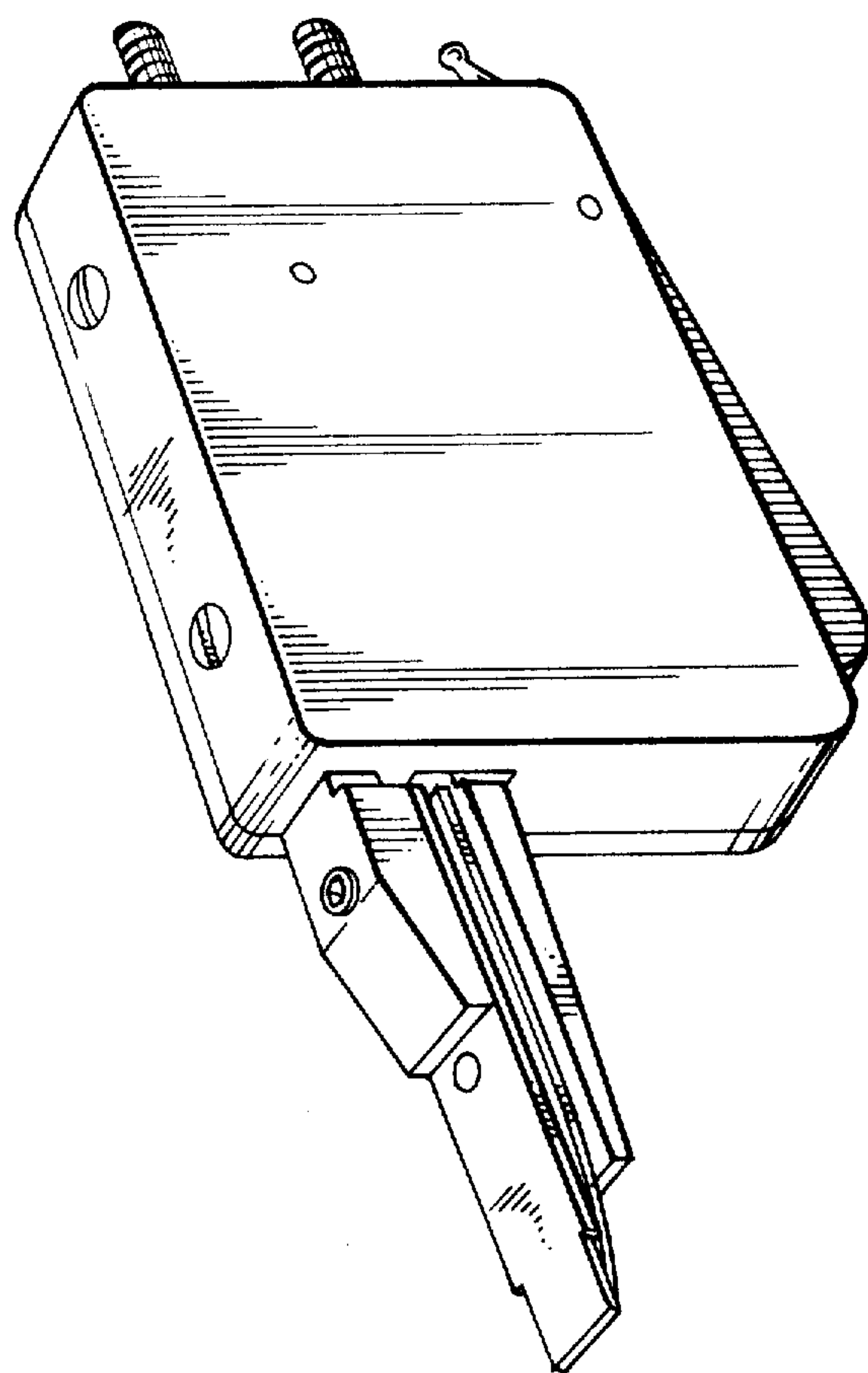


Fig. 1

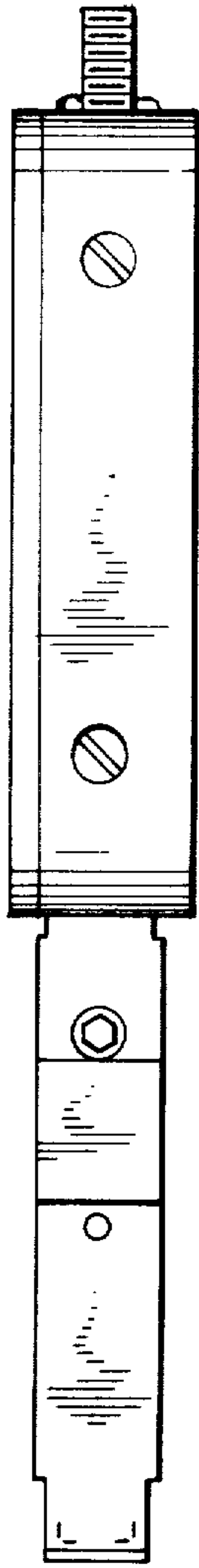


Fig. 3

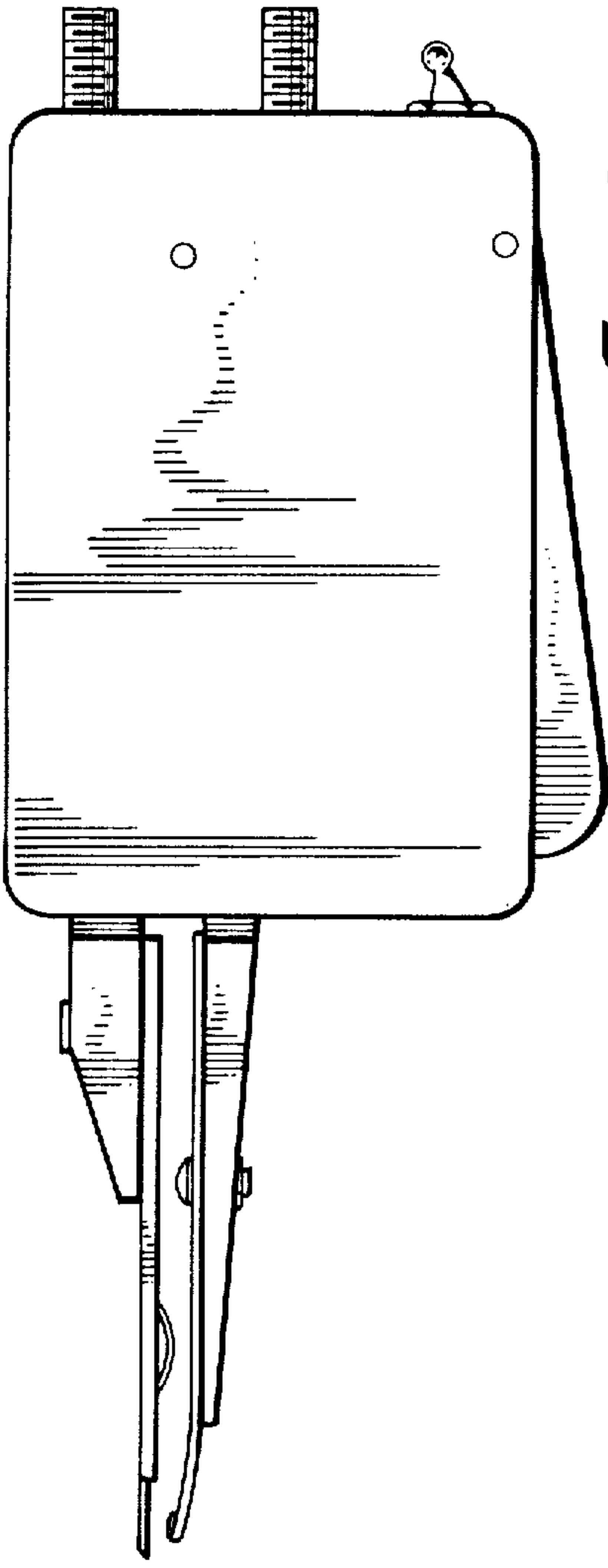


Fig. 2

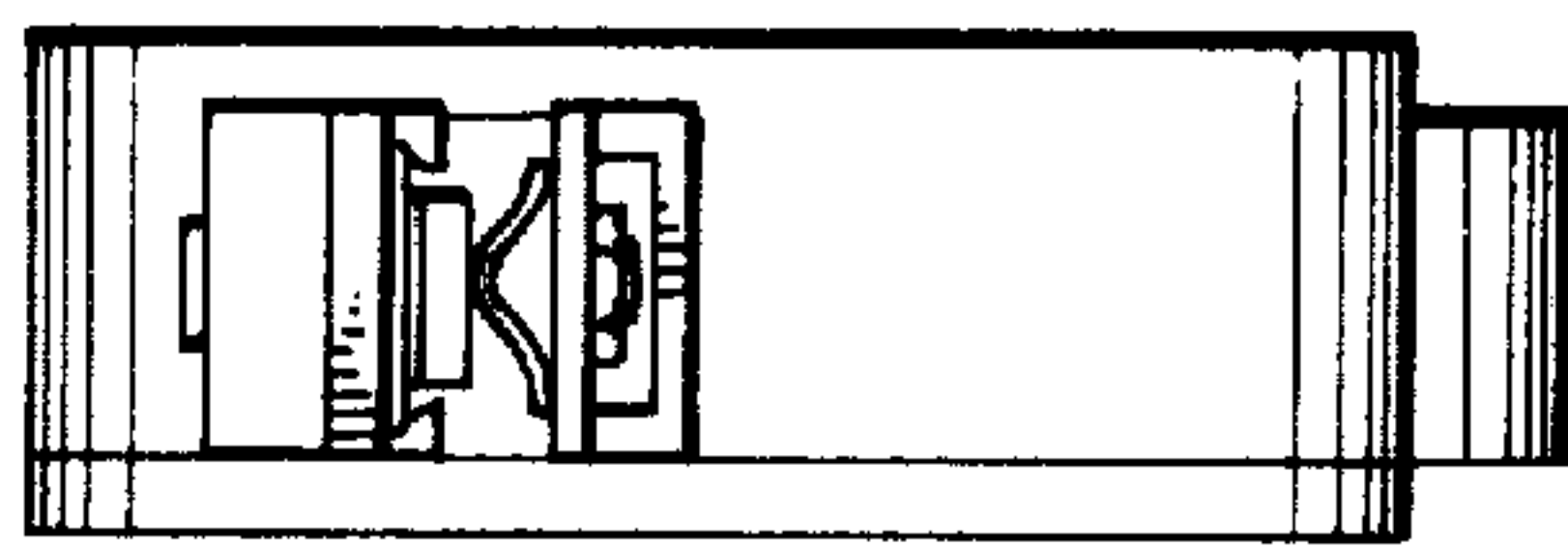


Fig. 5

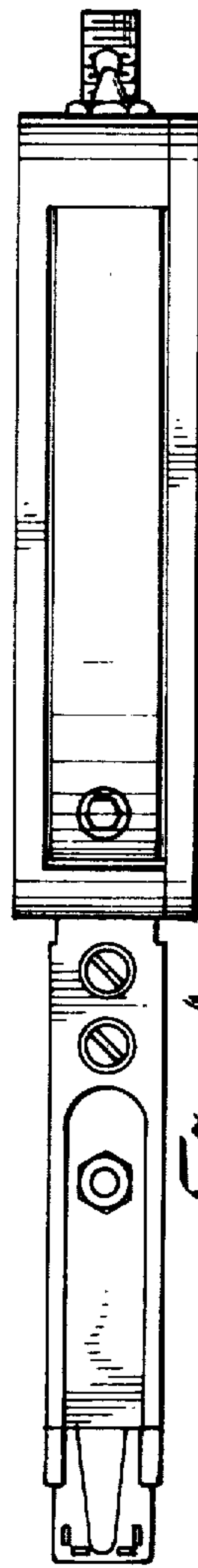


Fig. 4

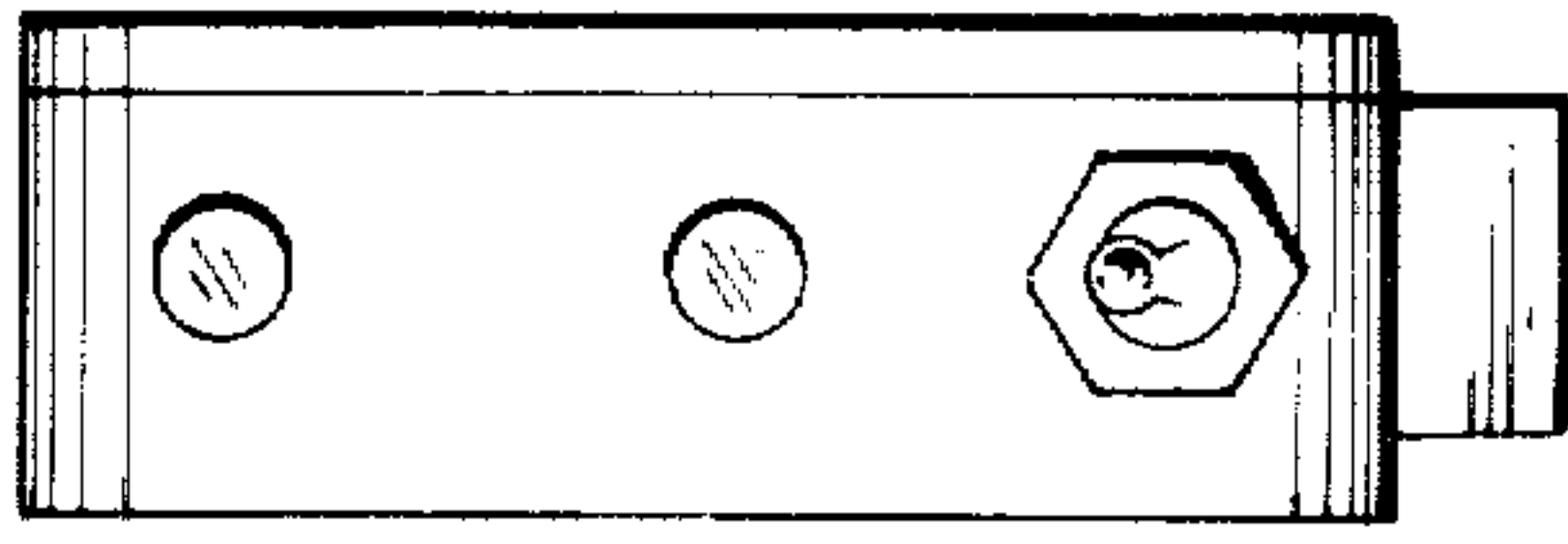


Fig. 6