

[54] VACUUM CLEANER NOZZLE

[75] Inventor: Yoshiaki Ueda, Toyonaka, Japan

[73] Assignee: Matsushita Electric Industrial Co., Ltd., Osaka, Japan

[**] Term: 14 Years

[21] Appl. No.: 968,704

[22] Filed: Dec. 12, 1978

[30] Foreign Application Priority Data

Jun. 14, 1978 [JP] Japan 53-25009

[51] Int. Cl. D15-05

[52] U.S. Cl. D32/33

[58] Field of Search D15/52-55, D15/62-64; 15/300 R, 319, 323-327, 344, 347, 354, 363-367, 377, 378, 415-422

[56] References Cited

U.S. PATENT DOCUMENTS

- D. 239,591 4/1976 Goodman D15/64
- D. 248,476 7/1978 Haynes D15/63
- D. 253,054 10/1979 Stevens et al. D15/64

Primary Examiner—Catherine E. Kemper
Attorney, Agent, or Firm—Sughrue, Mion, Zinn, Macpeak & Seas

[57] CLAIM

The ornamental design for a vacuum cleaner nozzle, as shown and described.

DESCRIPTION

FIG. 1 is a front, top and right side perspective view of a vacuum cleaner nozzle showing my new design; FIG. 2 is a top plan view thereof; FIG. 3 is a top, rear and right side perspective view thereof with the nozzle tipped 90° to the position shown in FIG. 1; and FIG. 4 is a front, rear and left side perspective view with the nozzle inverted from the position shown in FIG. 3.

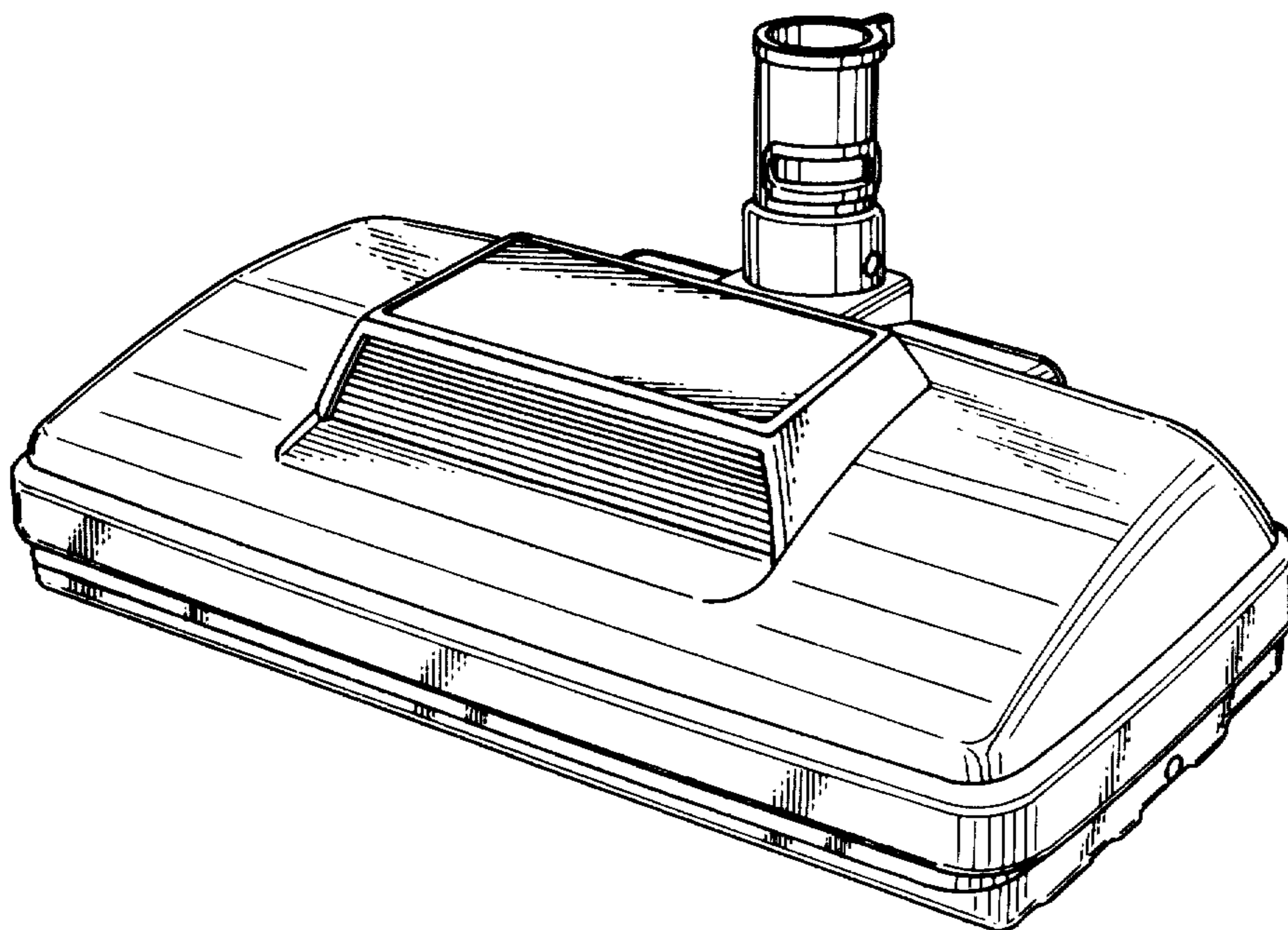


Fig. 1

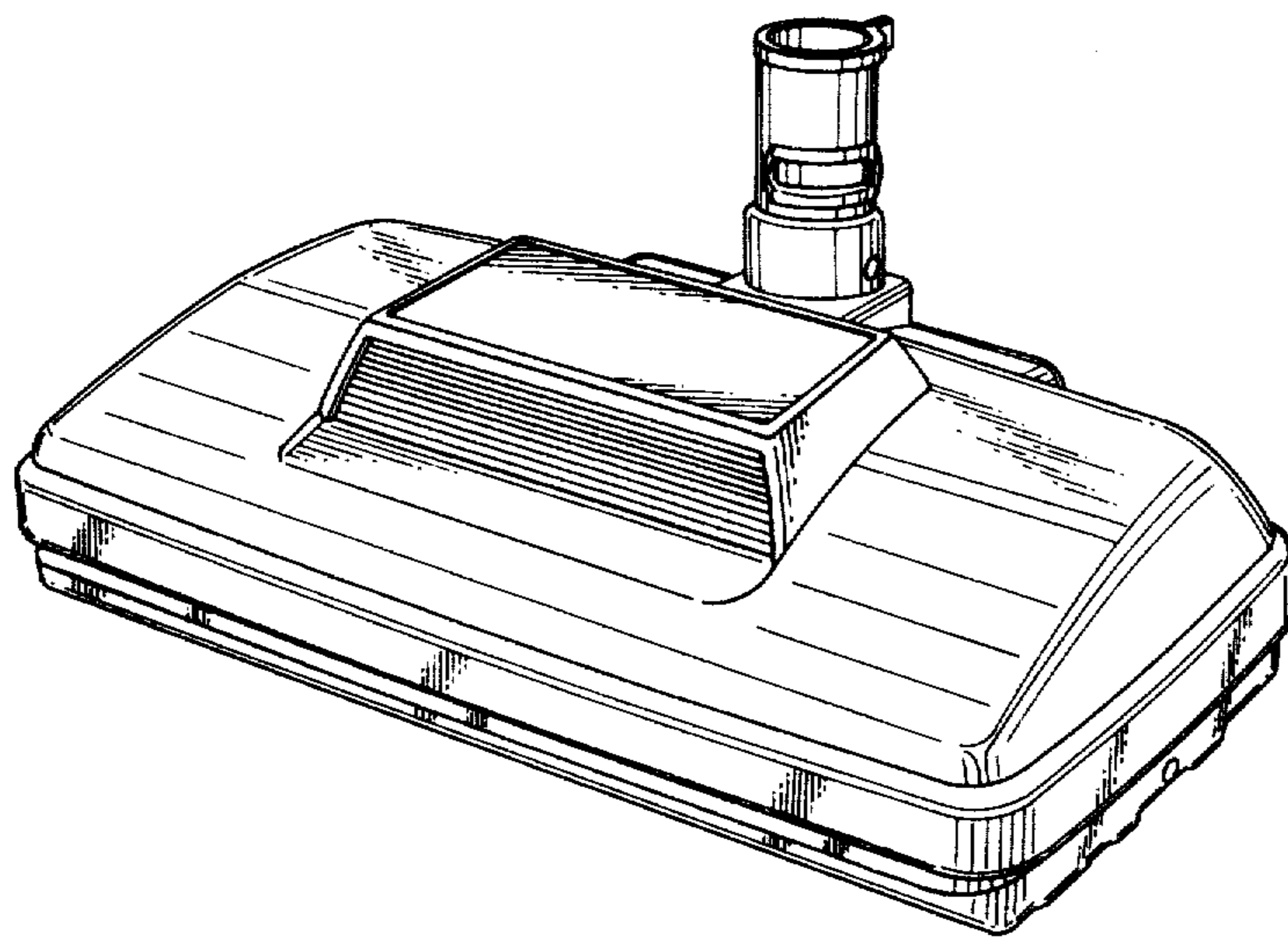


Fig. 2

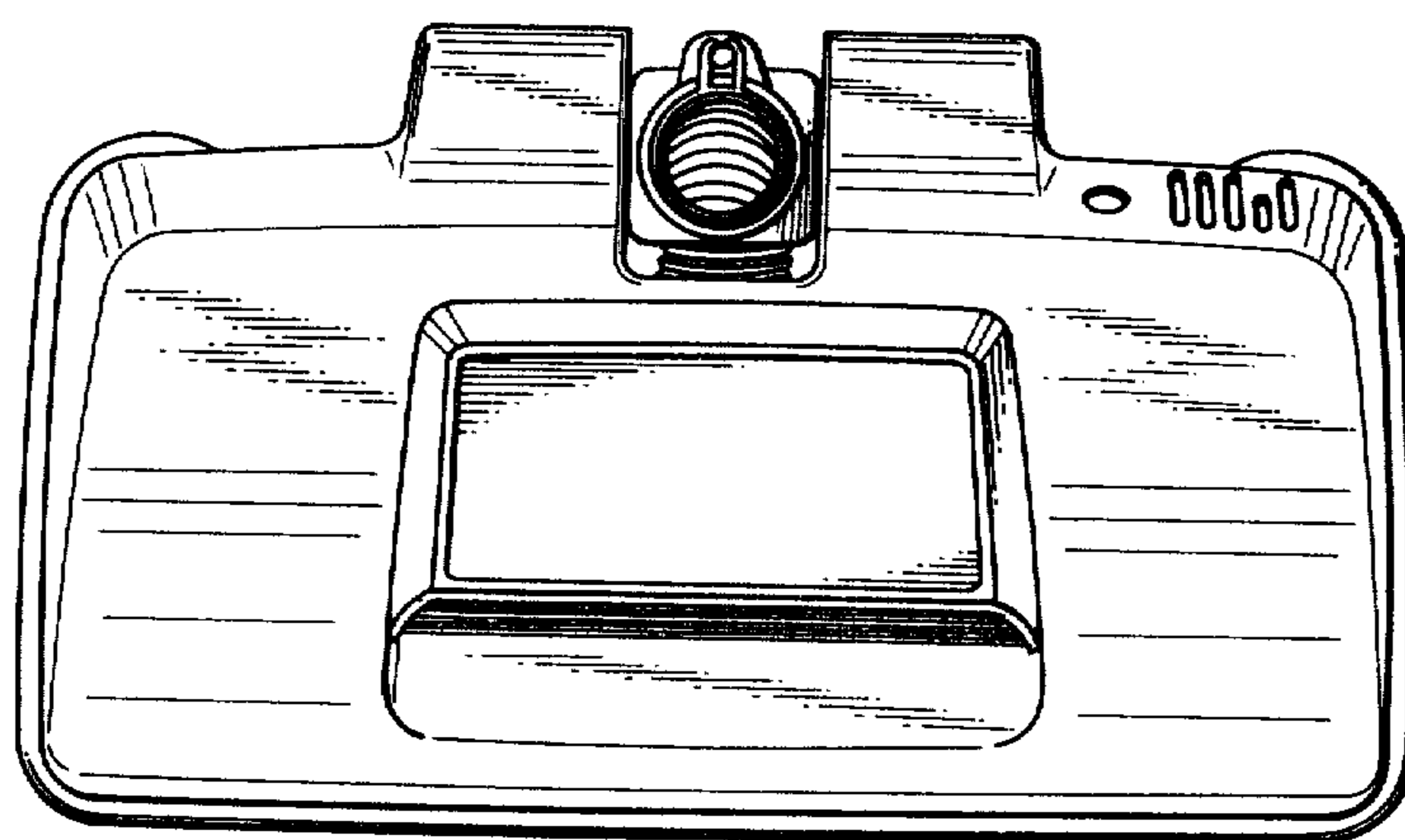


Fig. 3

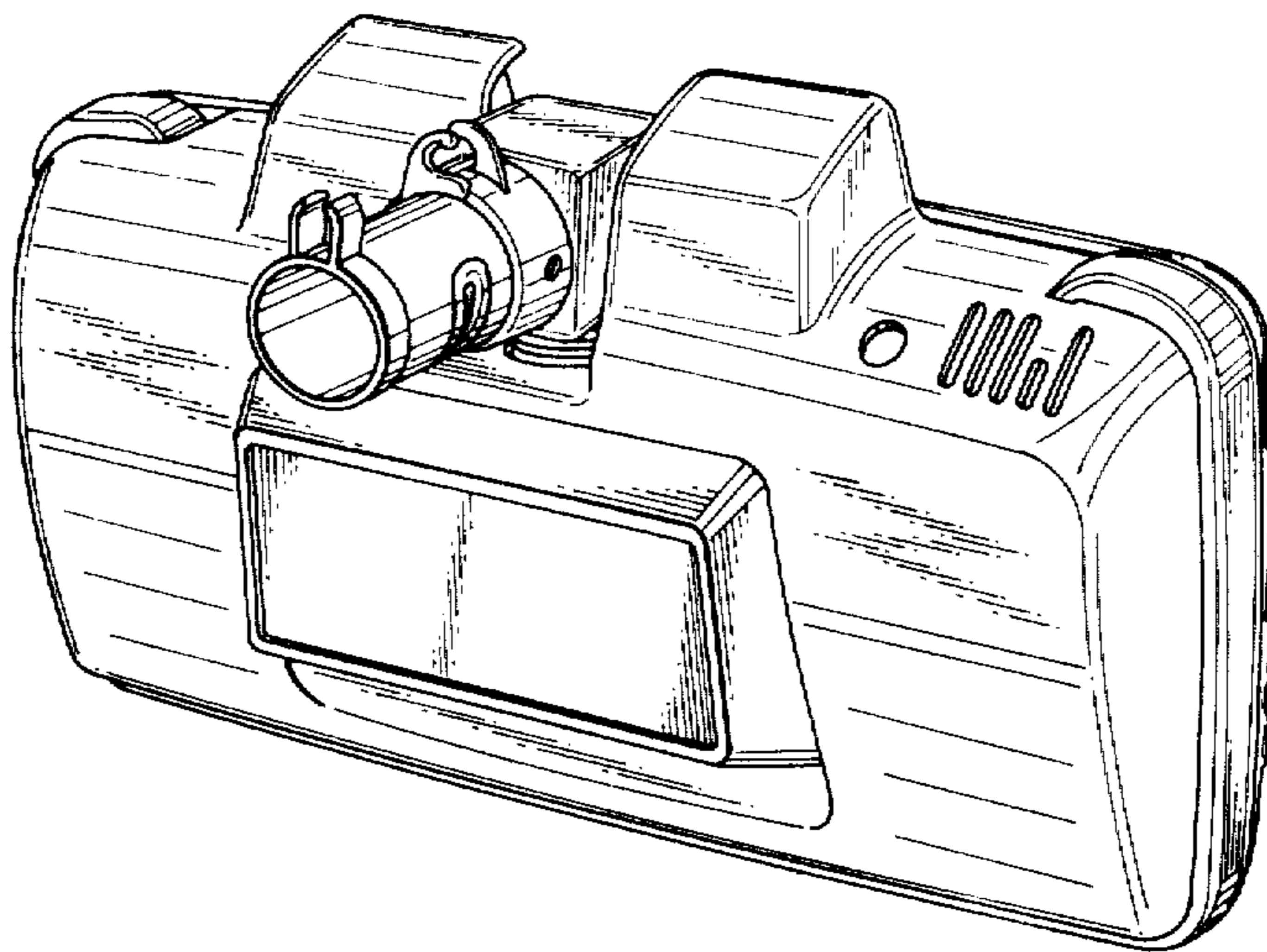


Fig. 4

