

[54] PIPELAYER

[75] Inventors: Jan K. Allen, Chillicothe; Phillip W. Hess, East Peoria, both of Ill.

[73] Assignee: Caterpillar Tractor Co., Peoria, Ill.

[**] Term: 14 Years

[21] Appl. No.: 57,863

[22] Filed: Jul. 16, 1979

[51] Int. Cl. D15-04

[52] U.S. Cl. D15/24

[58] Field of Search D15/24, 10; 405/174, 405/184, 154; 414/747, 745

[56] References Cited

U.S. PATENT DOCUMENTS

D. 230,300	2/1974	Oestmann et al.	D15/24
4,042,116	8/1977	Bertolino	414/747
4,083,459	4/1978	Allen	212/8 B

OTHER PUBLICATIONS

Construction Methods & Equipment, 3/77, p. 38, Pipelayer, center of page.

Caterpillar-Built Pipelayers, no date provided, Pipelayer on front cover.

Caterpillar D10 Brochure AECQ9072-01, no date provided, D-10 Track-Type Tractor, inside rear cover.

Primary Examiner—James M. Gandy

Attorney, Agent, or Firm—William B. Heming

[57] CLAIM

The ornamental design for a pipelayer, substantially as shown.

DESCRIPTION

FIG. 1 is a right side elevational view of a pipelayer showing our new design;

FIG. 2 is a left side elevational view thereof;

FIG. 3 is a front elevational view thereof;

FIG. 4 is a rear elevational view thereof;

FIG. 5 is a top plan view thereof; and

FIG. 6 is a bottom plan view thereof.

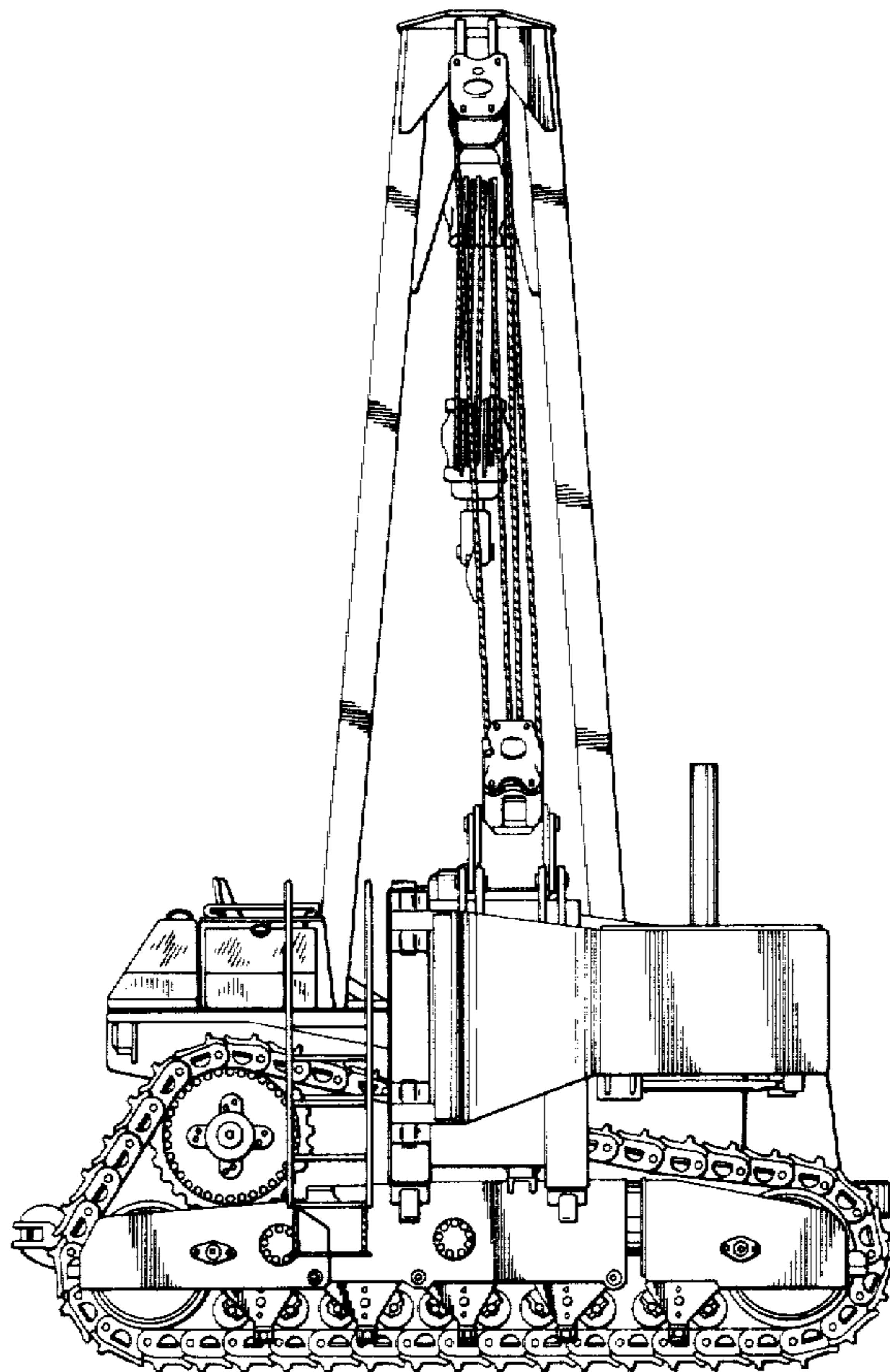
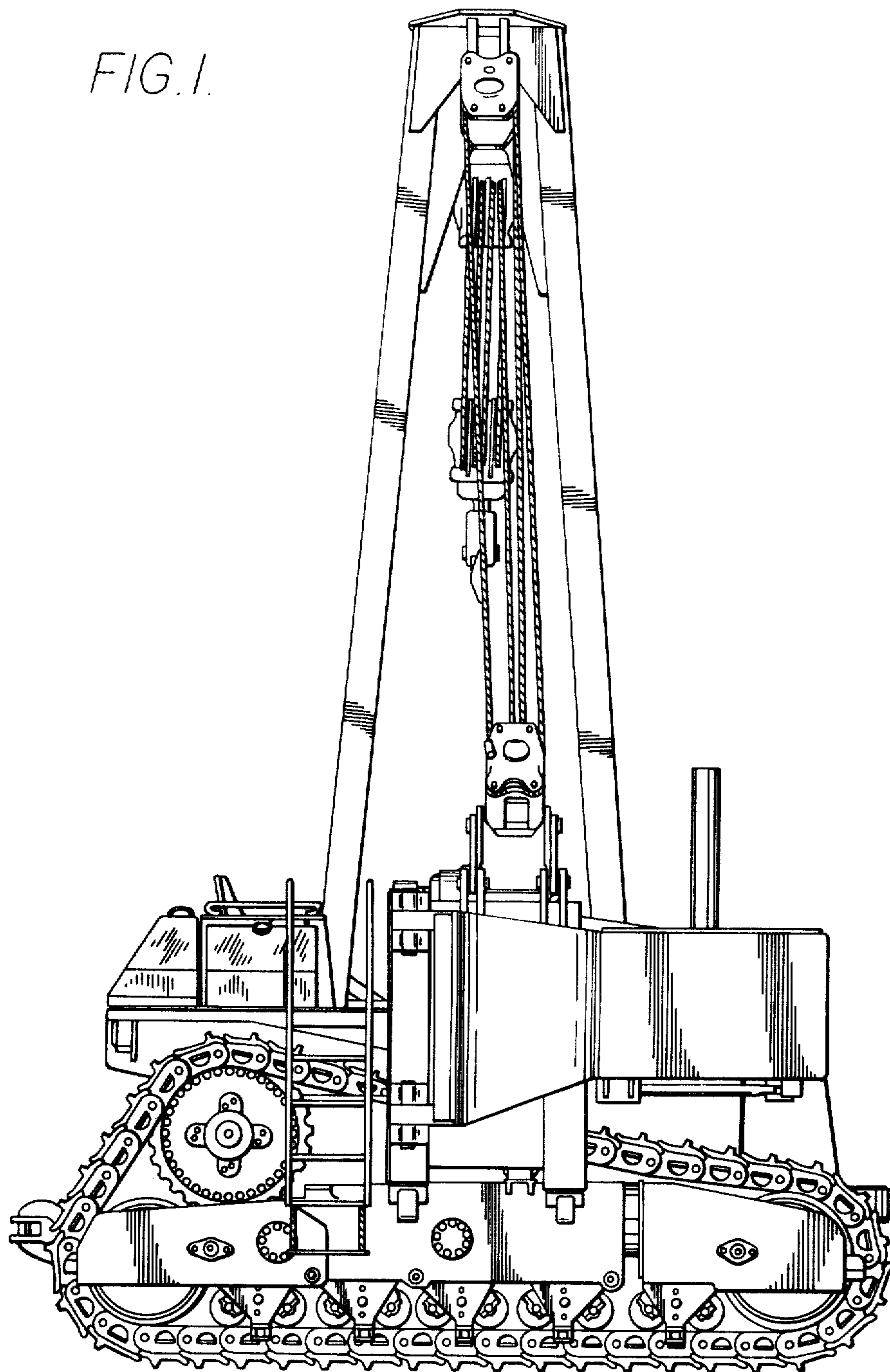


FIG. 1.



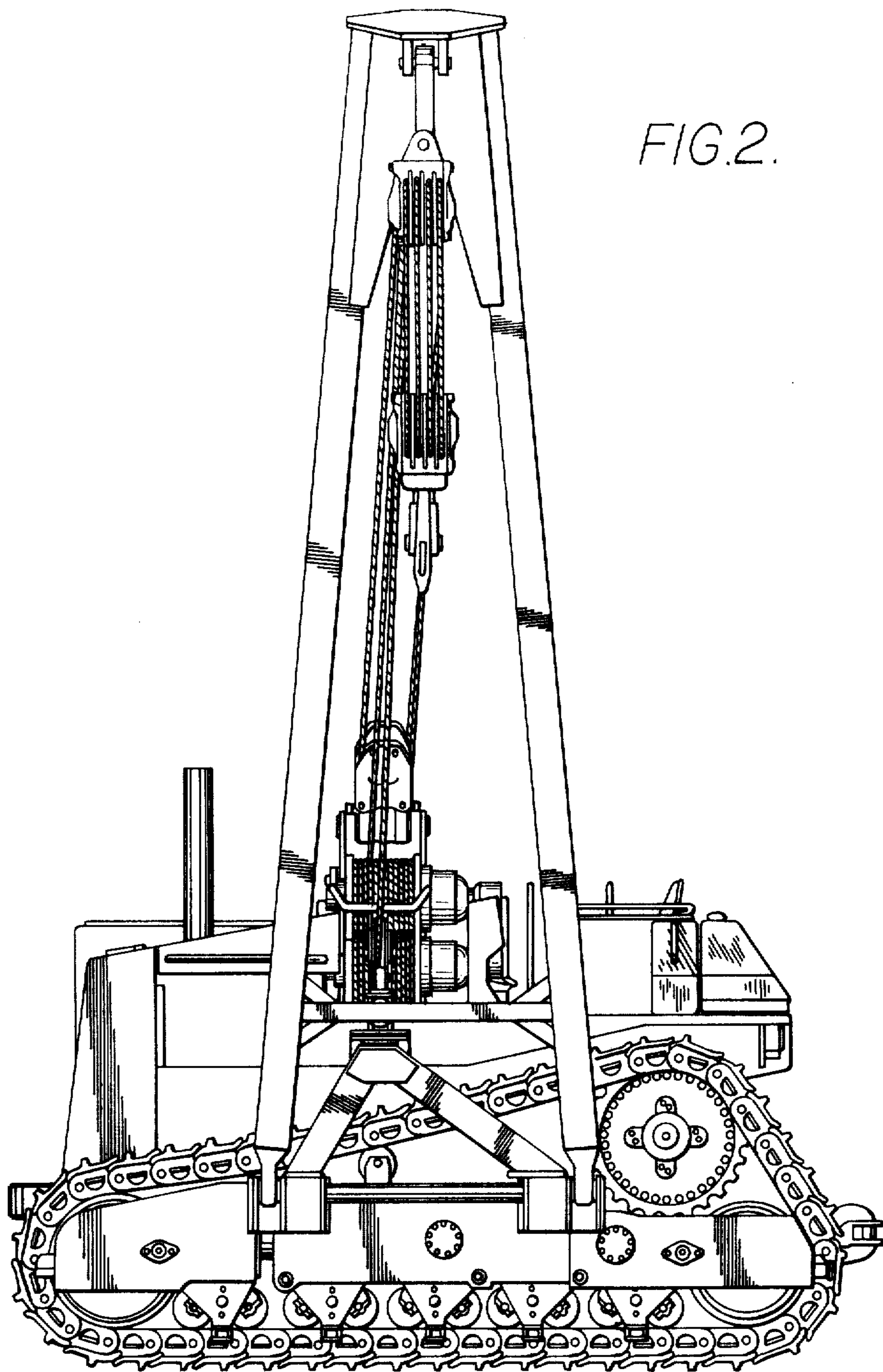
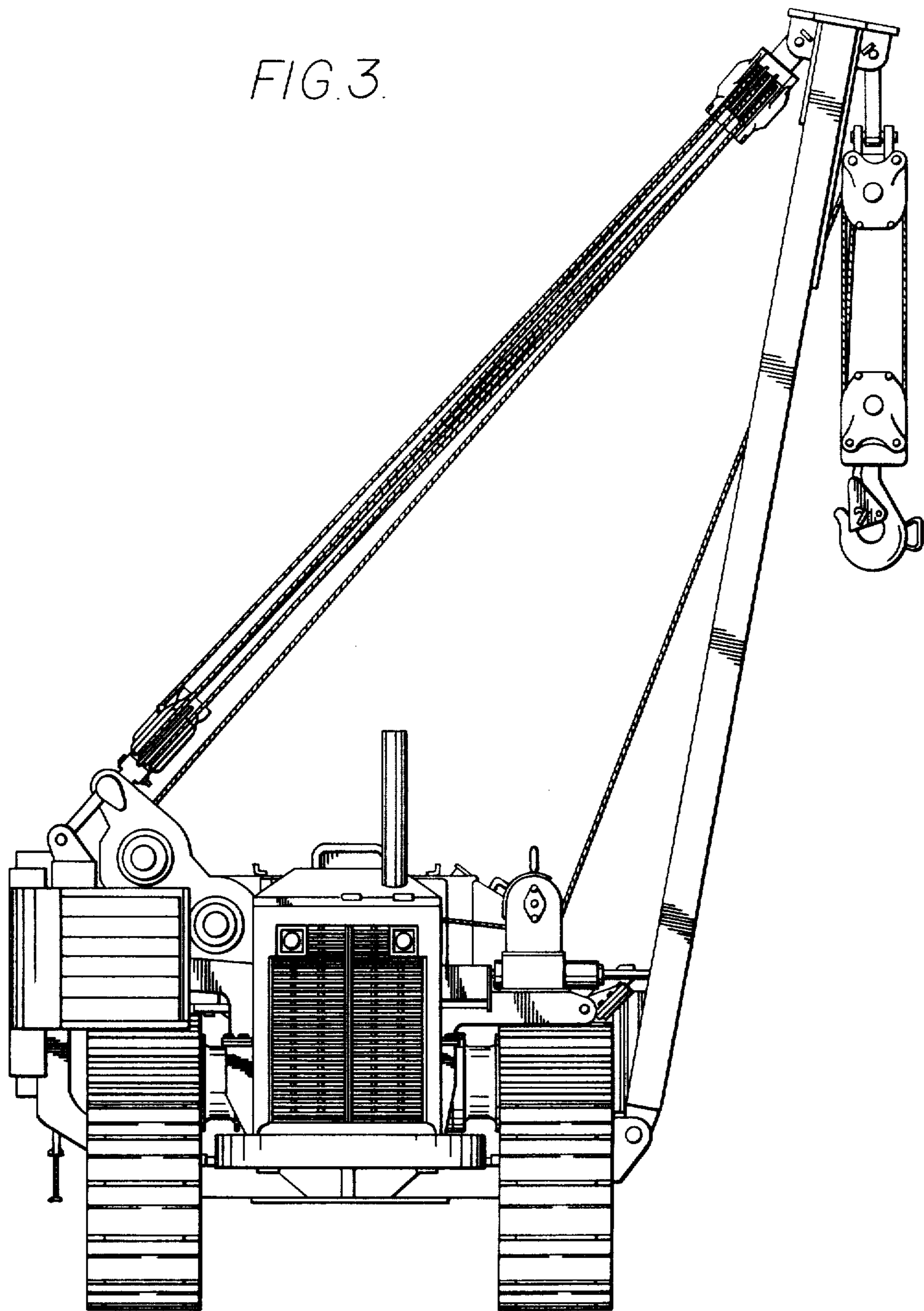


FIG. 2.

FIG. 3.



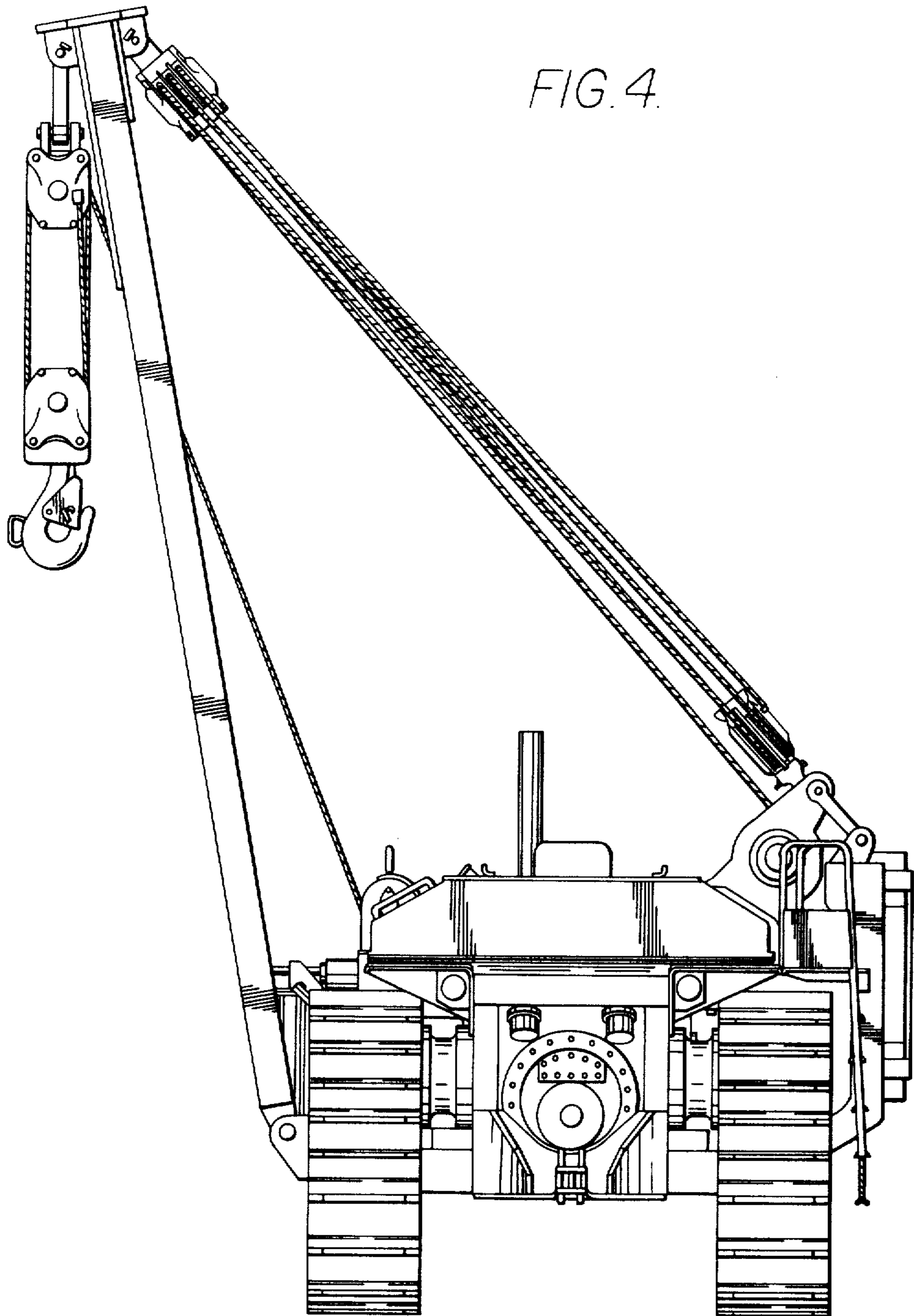


FIG. 5.

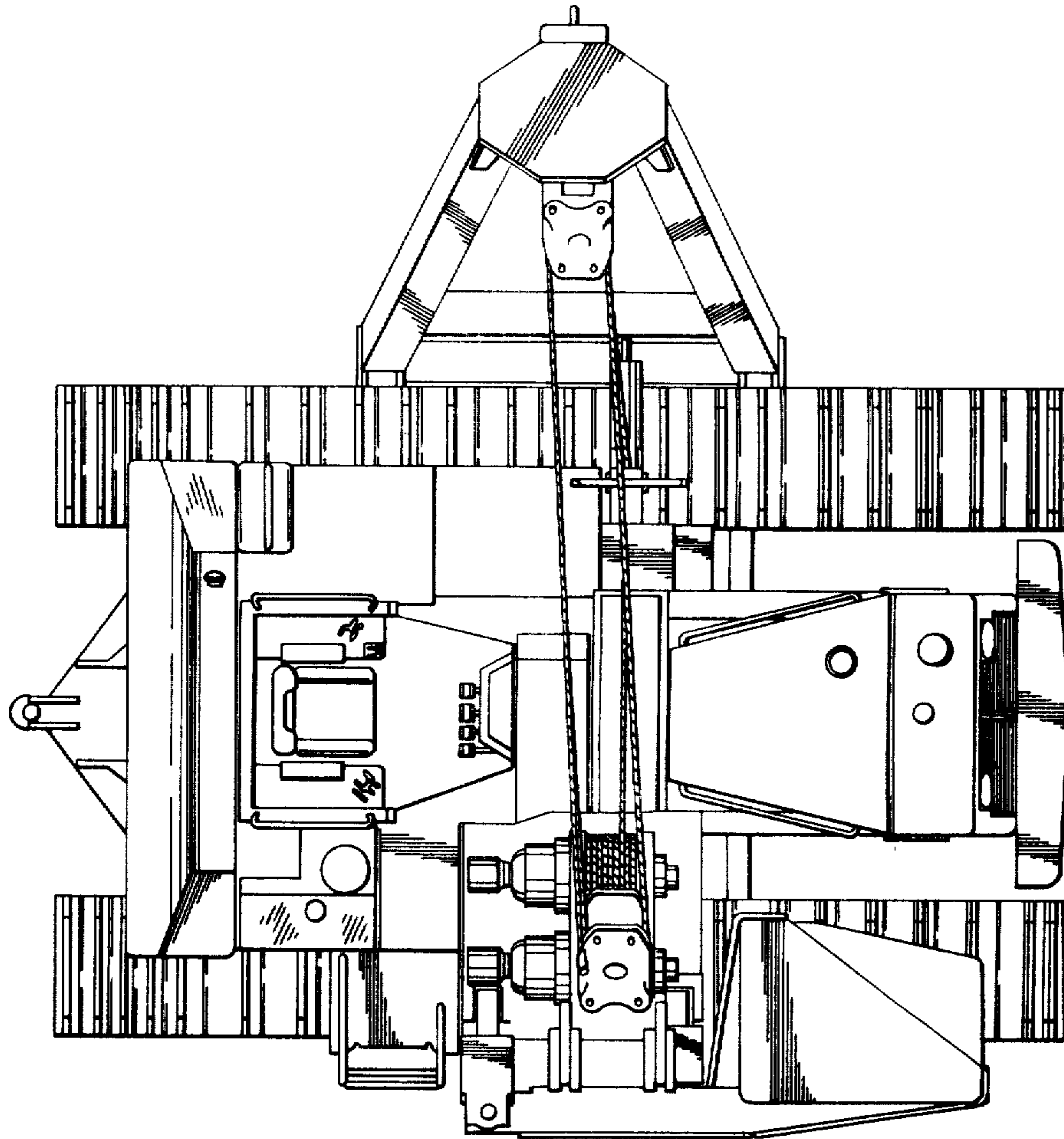


FIG. 6.

