

[54] COMBINED CASSETTE DICTATING MACHINE AND MICROPHONE THEREOF

[75] Inventor: Werner Schulze-Bahr, Kassel, Fed. Rep. of Germany

[73] Assignee: Assmann G.m.b.H., Bad Homburg, Fed. Rep. of Germany

[**] Term: 7 Years

[21] Appl. No.: 950,229

[22] Filed: Oct. 10, 1978

[30] Foreign Application Priority Data

Apr. 15, 1978 [DE] Fed. Rep. of Germany 10542

[51] Int. Cl. D14-01

[52] U.S. Cl. D14/3; D14/6

[58] Field of Search D14/3, 6; 360/79, 107, 360/101, 134, 82; 274/17, 21, 20; 179/100 DR

[56] References Cited

U.S. PATENT DOCUMENTS

D. 197,649 3/1964 Ilenin D14/3

D. 249,038	8/1978	Walz	D14/3
D. 250,532	12/1978	Walz	D14/3
3,091,668	5/1963	Trost	360/82
3,323,804	6/1967	Wolfner	274/21
3,771,164	11/1971	Bolick, Jr.	D14/3 X

Primary Examiner—Bernard Ansher
Attorney, Agent, or Firm—Lane, Aitken, Ziems, Kice & Kananen

[57] CLAIM

The ornamental design for a combined cassette dictating machine and microphone therefor, as shown and described.

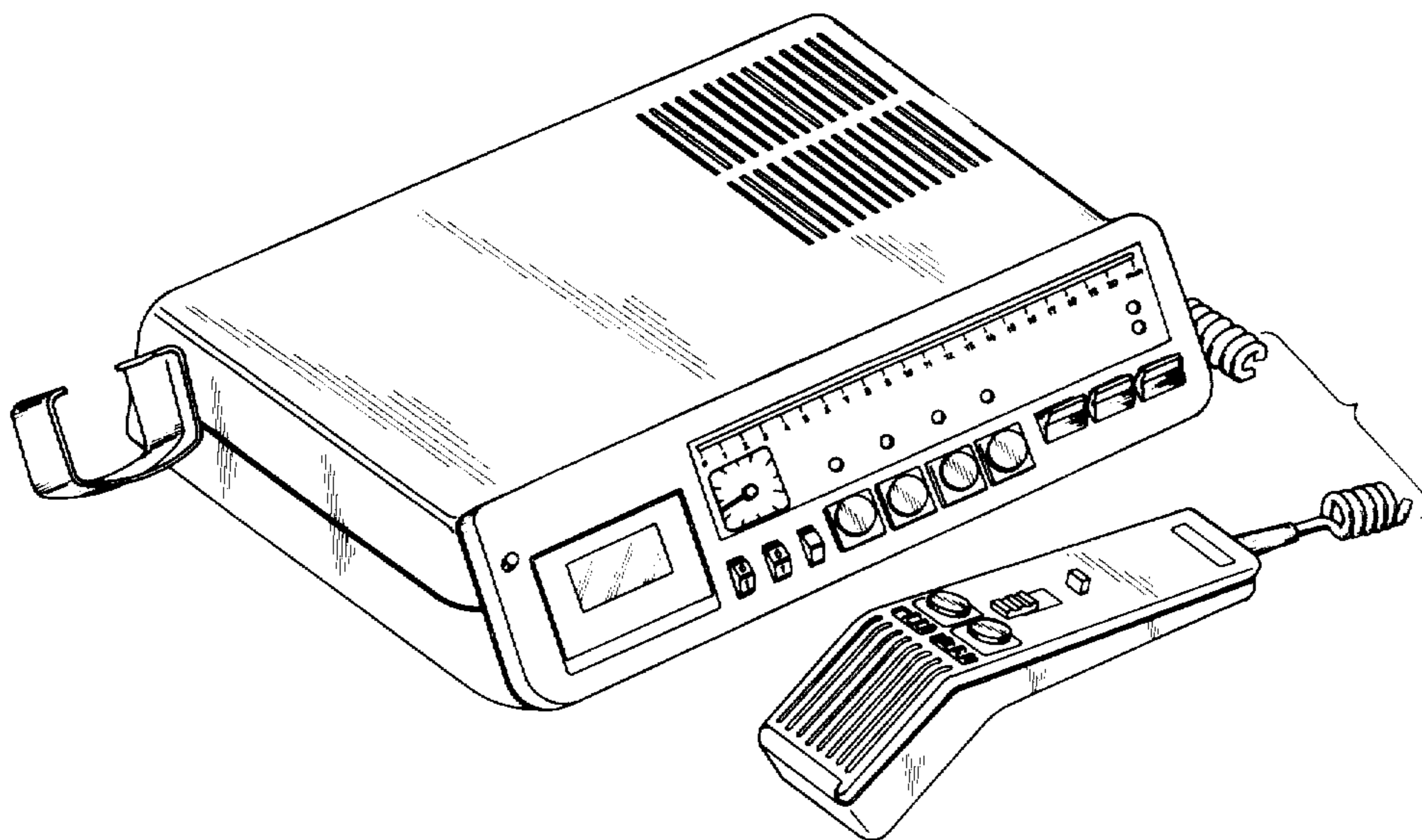
DESCRIPTION

FIG. 1 is a top front perspective of a combined cassette dictating machine and microphone therefor, showing my new design;

FIG. 2 is a top front perspective thereof; with the microphone in a retracted position and the cassette closure open;

FIG. 3 is a top front perspective as seen from the side opposite FIG. 1 and with the microphone omitted for ease of illustration; and

FIG. 4 is a top rear perspective of FIG. 2.



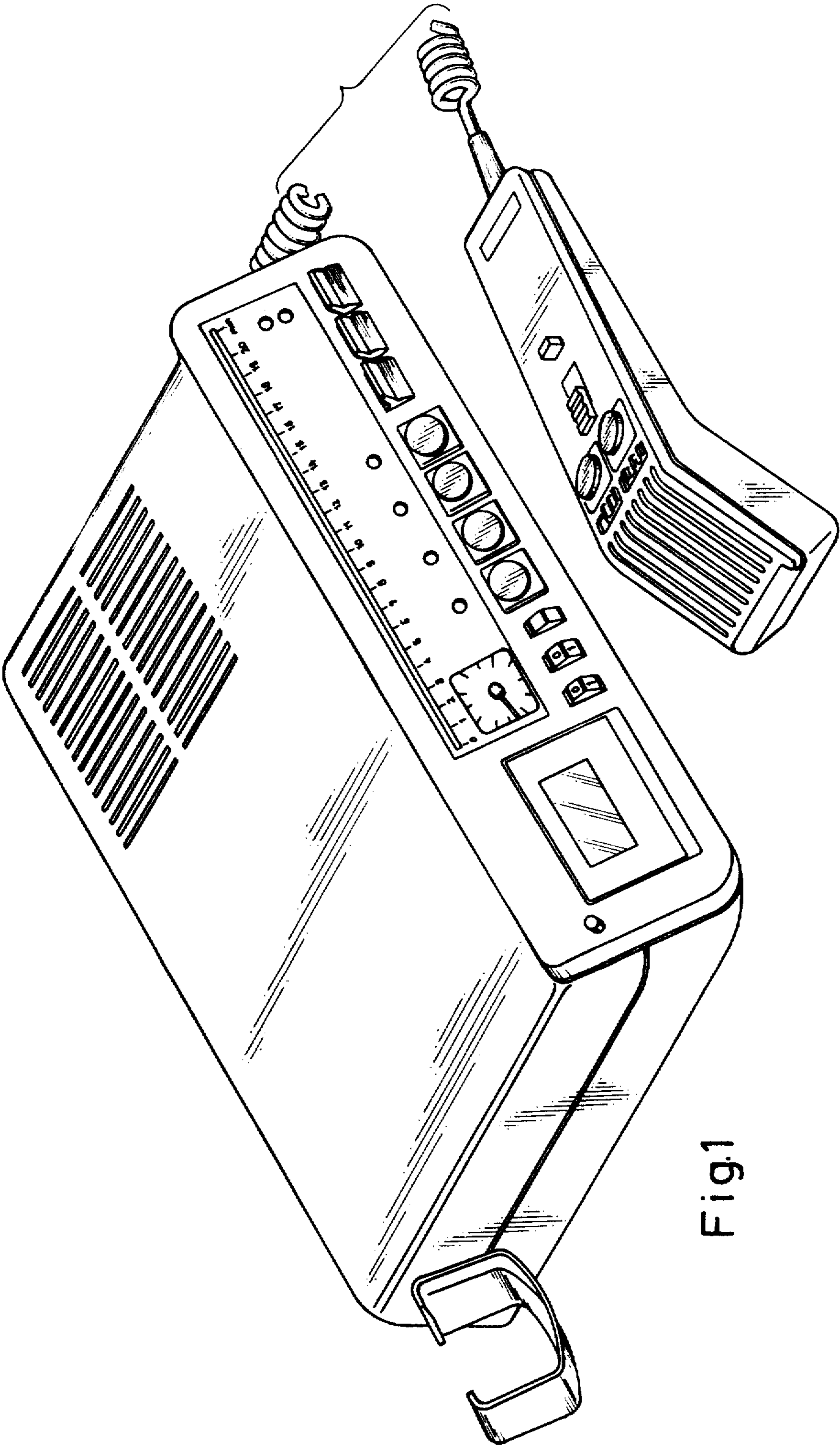


Fig. 1

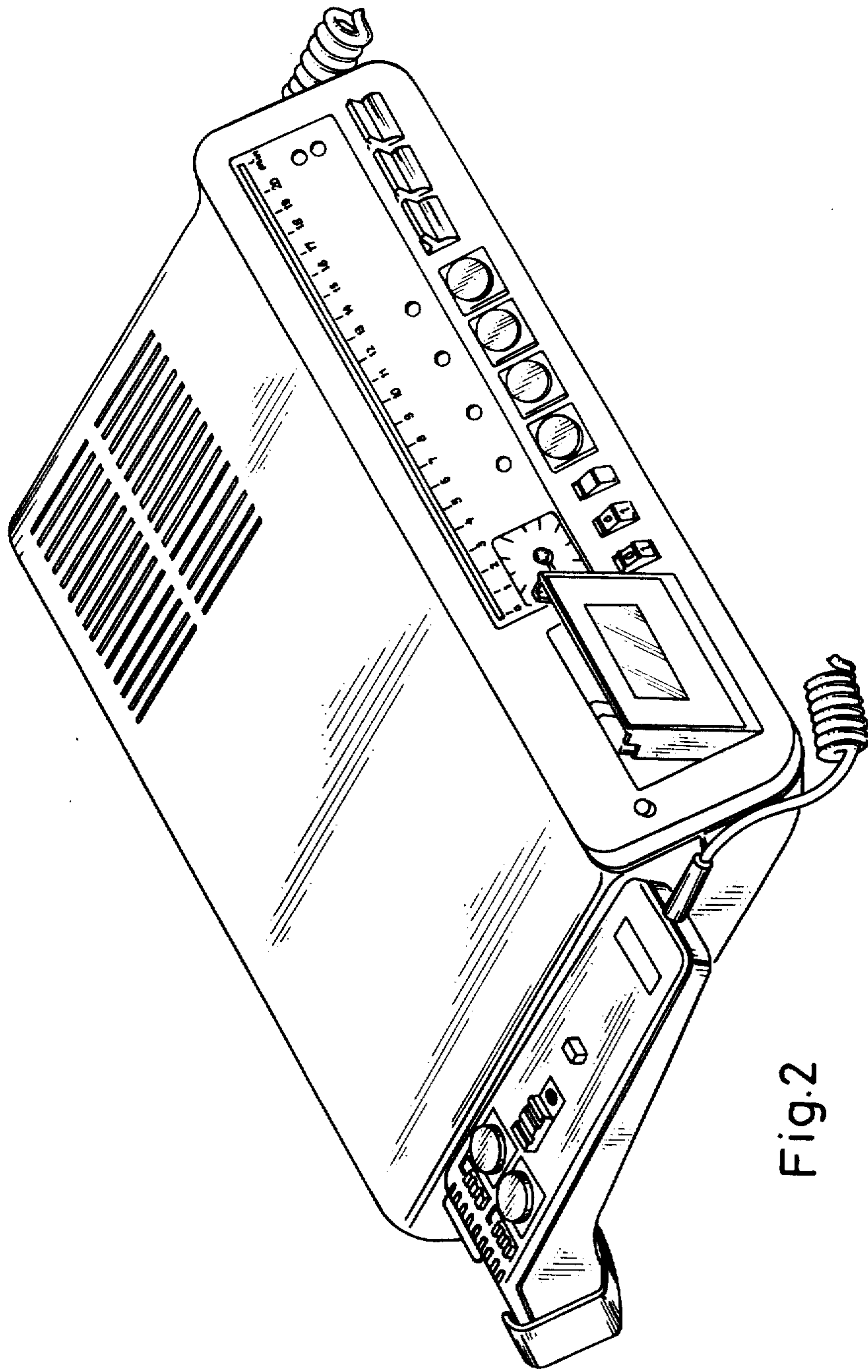


Fig.2

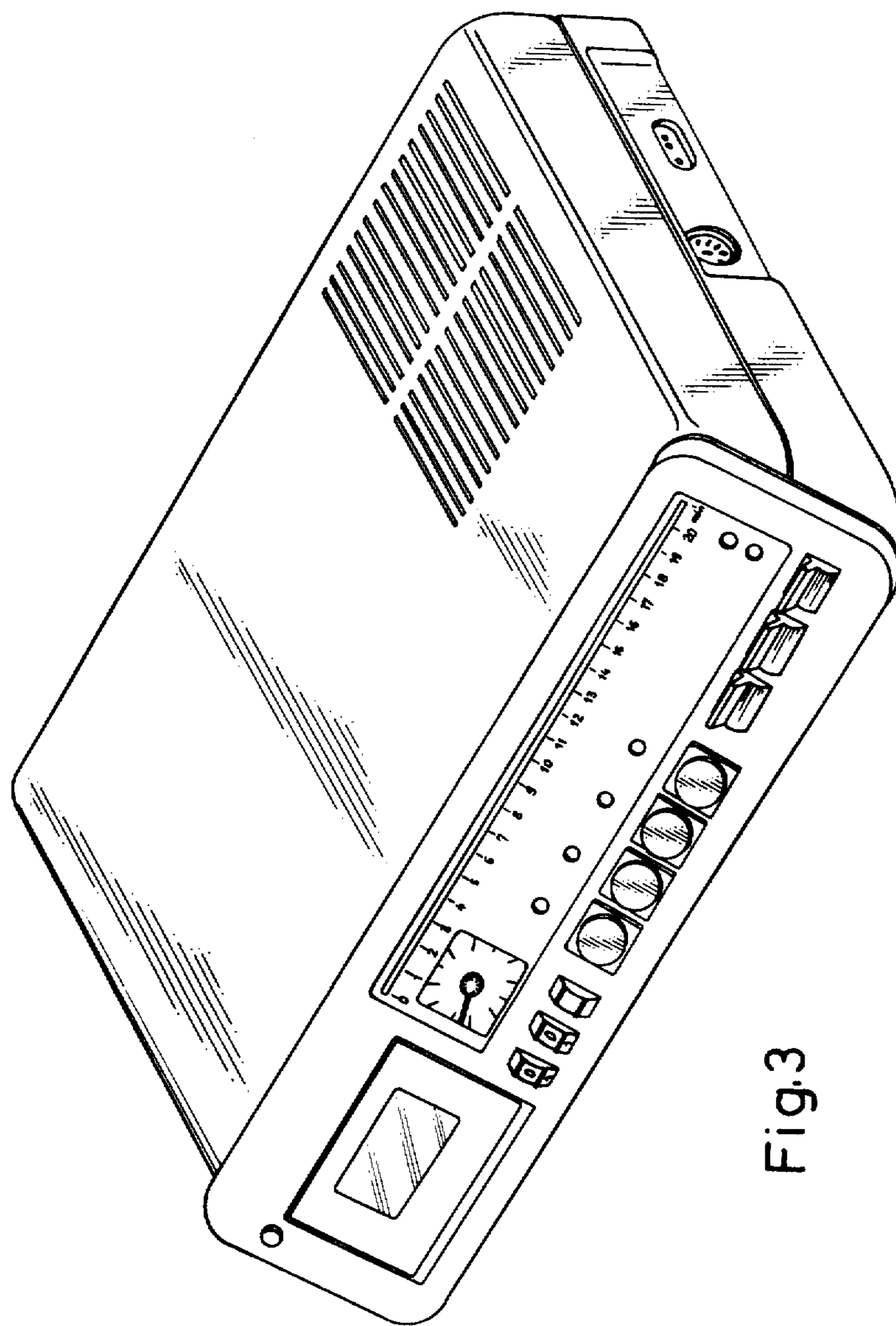


Fig.3

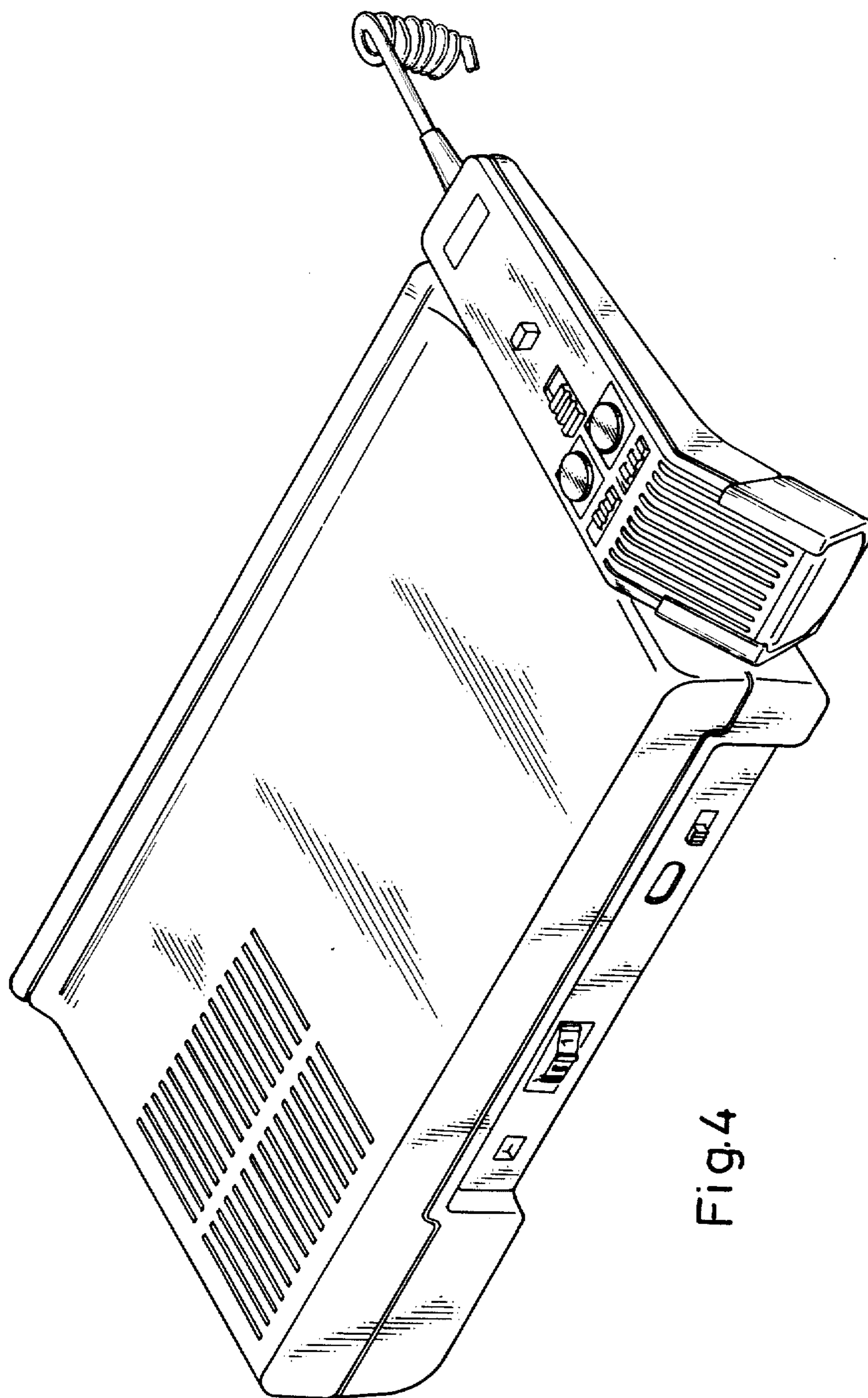


Fig. 4