

[54] SET OF AIR DEFLECTORS FOR A VEHICLE

3,999,797 12/1976 Kirsch et al. 296/1 S

[75] Inventors: Joseph M. Fitzgerald; James P. Fitzgerald, both of Buena Park, Calif.

Primary Examiner—James M. Gandy
Attorney, Agent, or Firm—Gordon L. Peterson

[73] Assignee: Nose Cone Manufacturing Co., Inc., Buena Park, Calif.

[57] CLAIM

The ornamental design for a set of air deflectors for a vehicle, substantially as shown and described.

[**] Term: 14 Years

DESCRIPTION

[21] Appl. No.: 161,124

FIG. 1 is a perspective view of a set of air deflectors for a vehicle showing our new design, it being understood that the broken lines are for illustrative purposes only; FIG. 2 is a side elevational view of the right side deflector to an enlarged scale; FIG. 3 is a top plan view thereof to an enlarged scale; FIG. 4 is a bottom plan view thereof to an enlarged scale; FIG. 5 is a rear elevational view thereof to an enlarged scale; and FIG. 6 is a side elevational view of the right side deflector taken along line 6—6 in FIG. 5.

[22] Filed: Jun. 19, 1980

[51] Int. Cl. D12-16

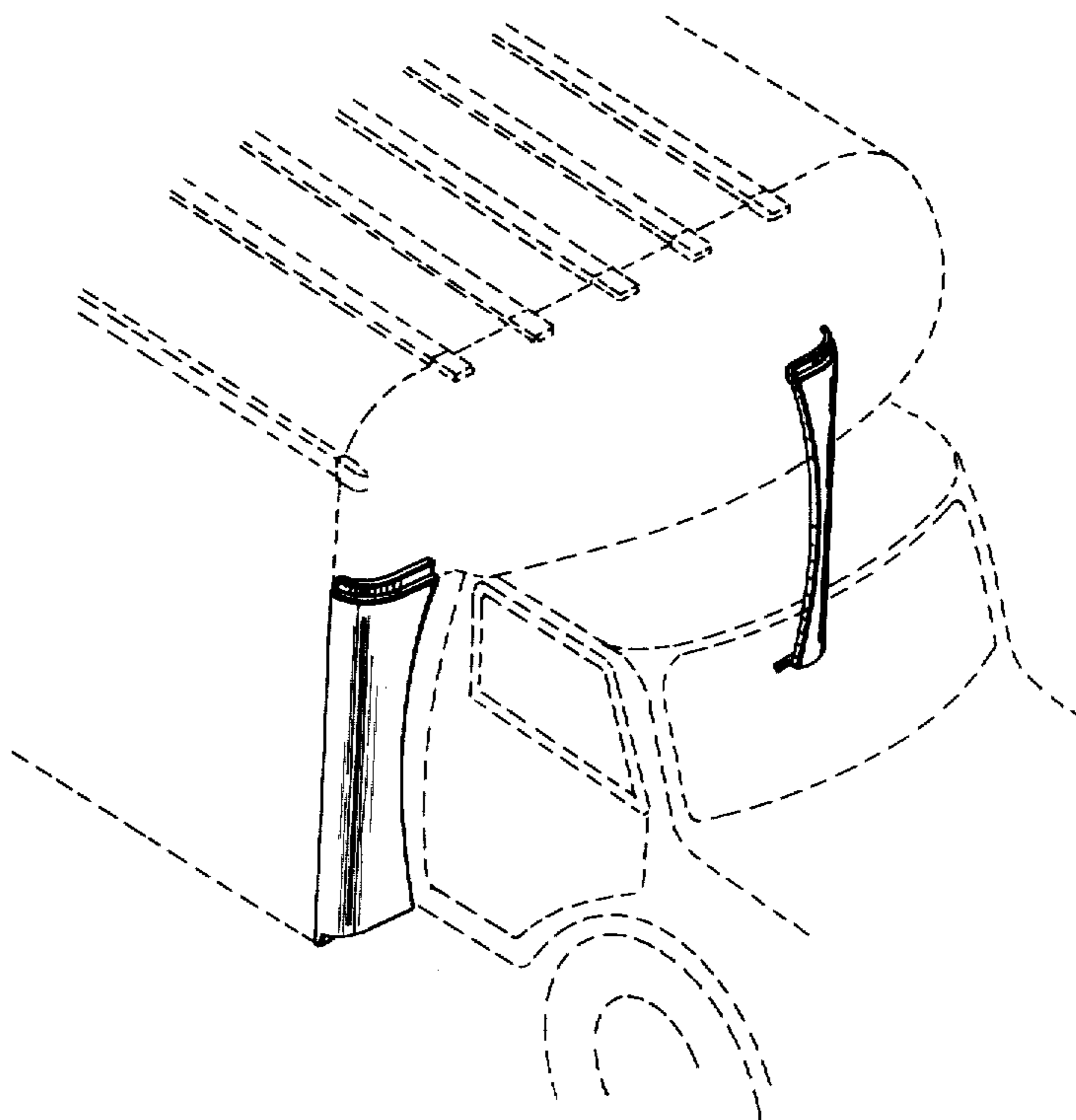
[52] U.S. Cl. D12/181

[58] Field of Search D12/181; 296/91, 1 S

[56] References Cited

U.S. PATENT DOCUMENTS

- D. 243,001 1/1977 Anziano D12/181
- 3,010,754 11/1961 Shumaker 296/1 S
- 3,934,922 1/1976 MacCready, Jr. et al. 296/1 S



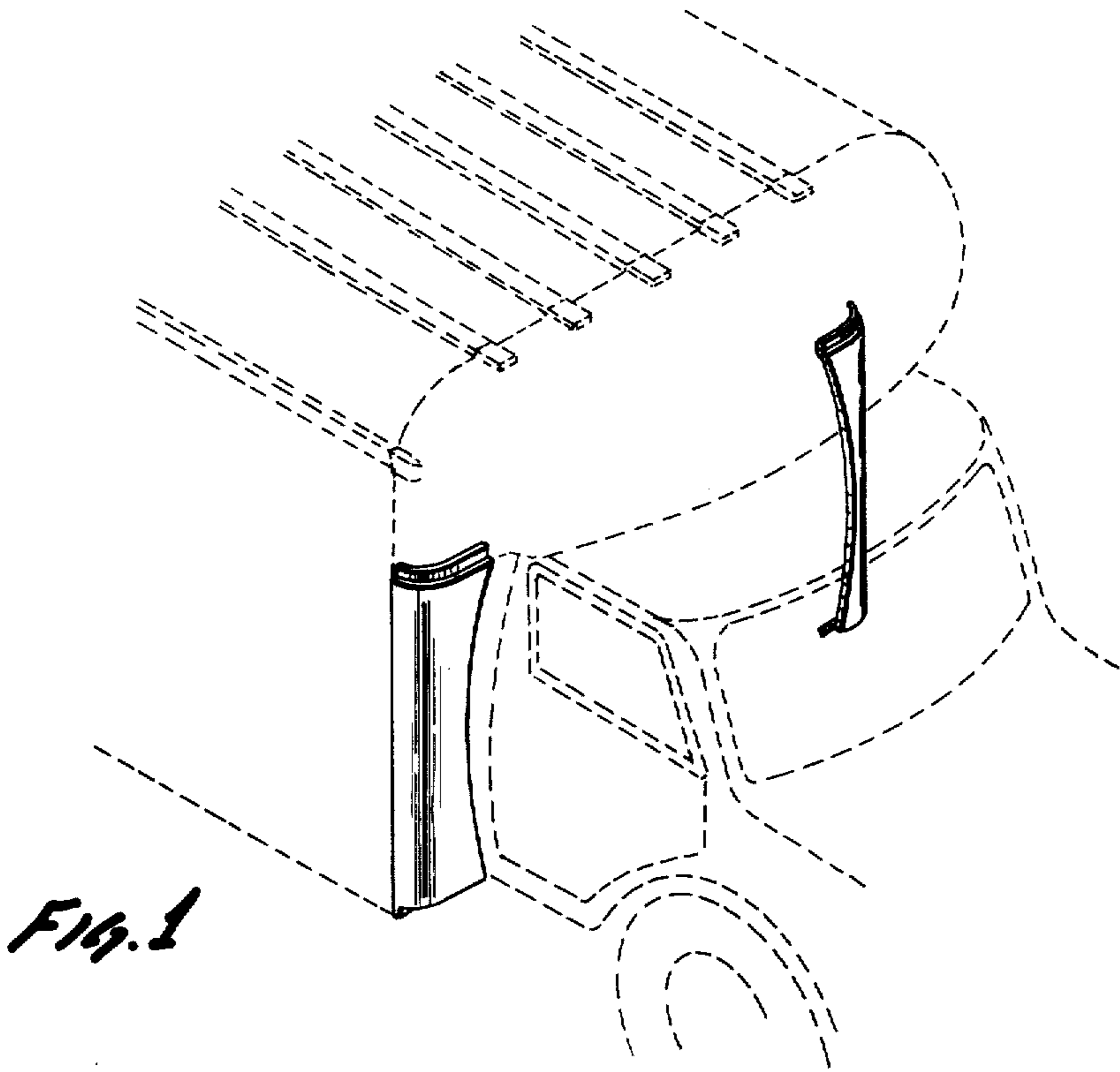


Fig. 3

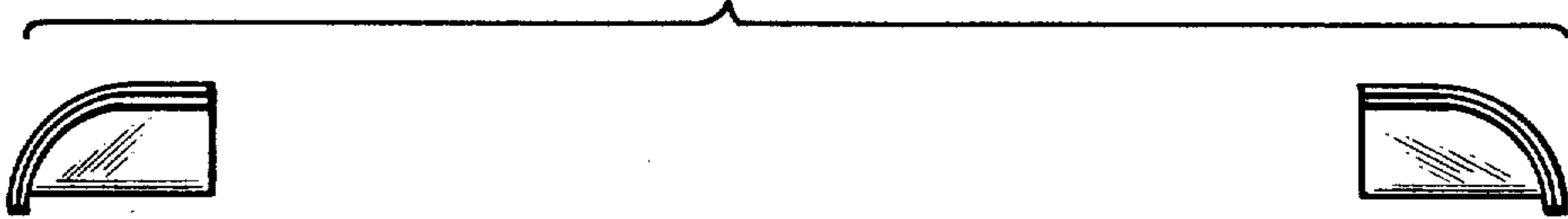


Fig. 4

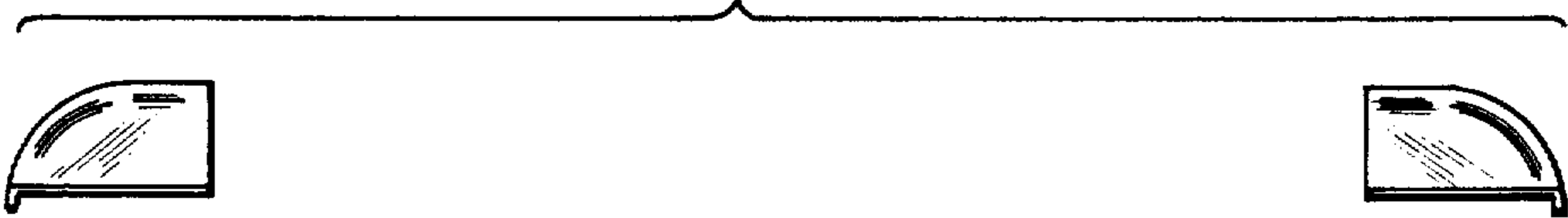


Fig. 6

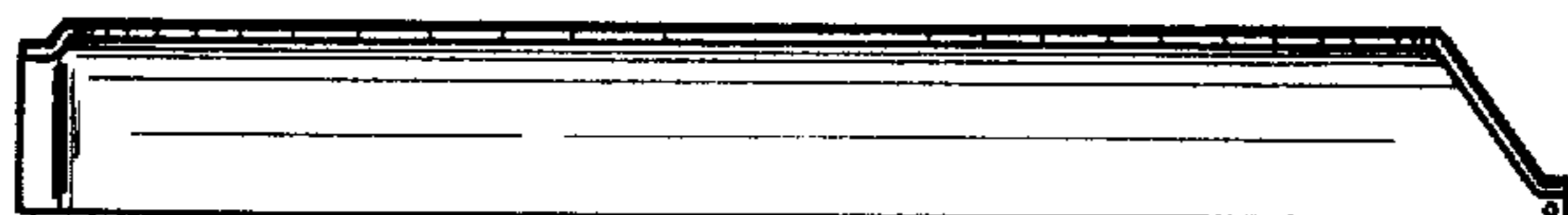


Fig. 5

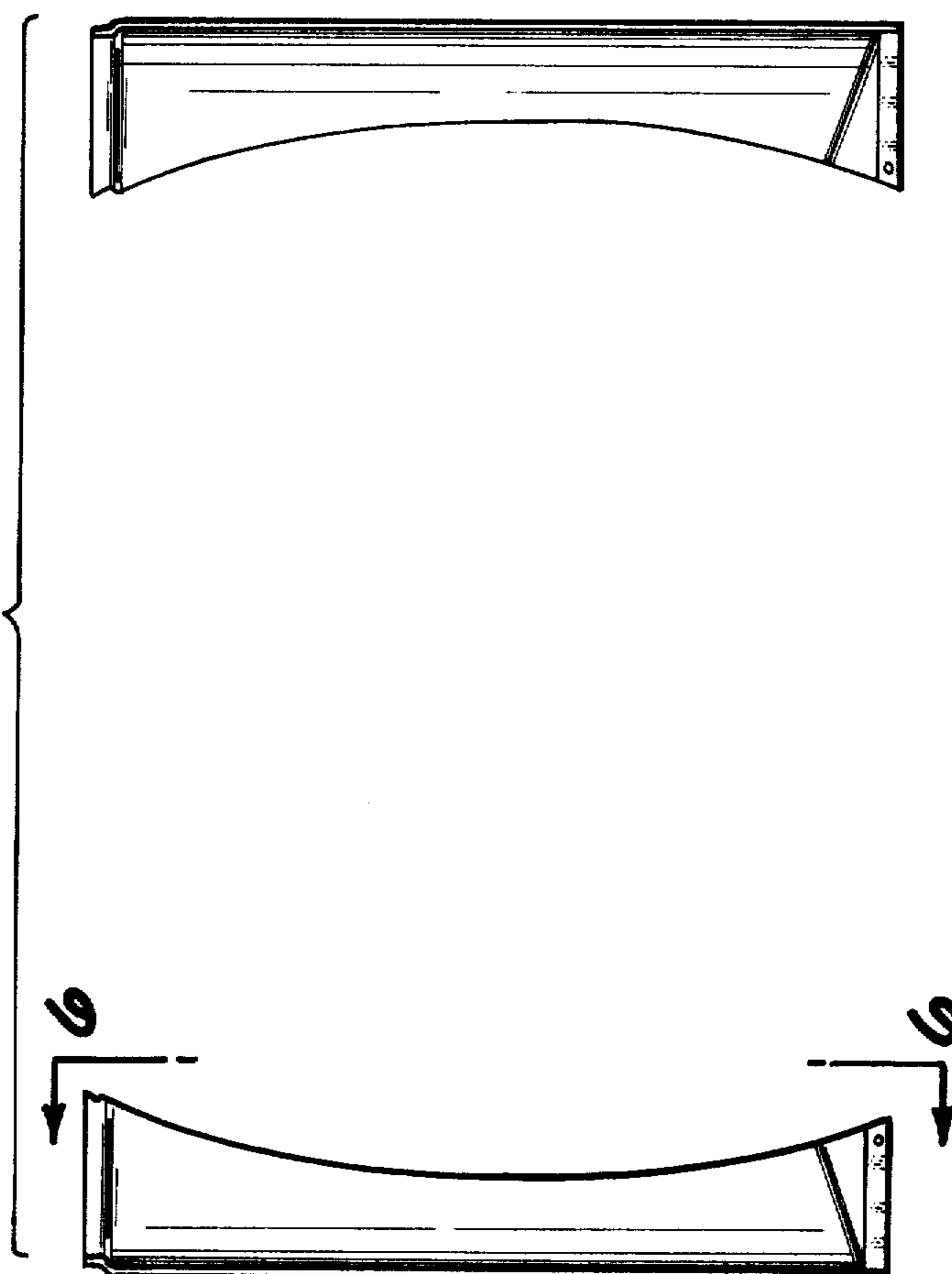


Fig. 2

