

[54] MOTORCYCLE

[76] Inventor: Heiji Kobayashi, 19-16, Shimoochiai
2-chome, Shinjuku-ku, Tokyo, Japan

[**] Term: 14 Years

[21] Appl. No.: 49,076

[22] Filed: Jun. 18, 1979

[30] Foreign Application Priority Data

Jan. 13, 1979 [JP] Japan 54-945

[51] Int. Cl. D12-11

[52] U.S. Cl. D12/110

[58] Field of Search D12/110; 180/219, 223,
180/224, 226, 229

[56] References Cited

U.S. PATENT DOCUMENTS

D. 241,527 9/1976 Kojo D12/110
D. 243,598 3/1977 Davidson D12/110
D. 252,325 7/1979 Hori et al. D12/110

Primary Examiner—James M. Gandy

[57] CLAIM

The ornamental design for a motorcycle, as shown.

DESCRIPTION

FIG. 1 is a front elevational view of a motorcycle showing my new design;

FIG. 2 is a rear elevational view thereof;

FIG. 3 is a left side elevational view thereof;

FIG. 4 is a right side elevational view thereof;

FIG. 5 is a top plan view thereof; and

FIG. 6 is a perspective view thereof.

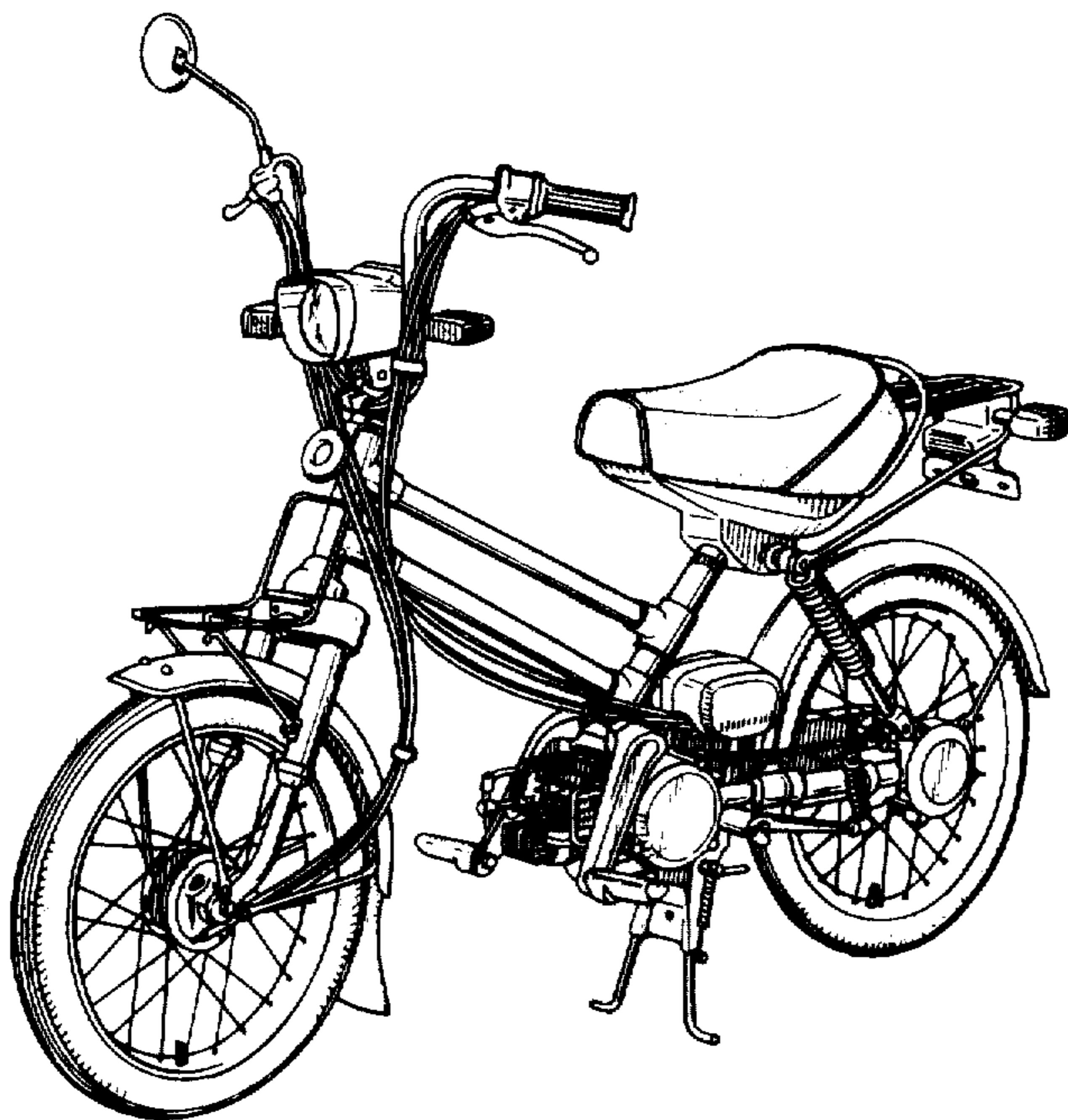


FIG.2

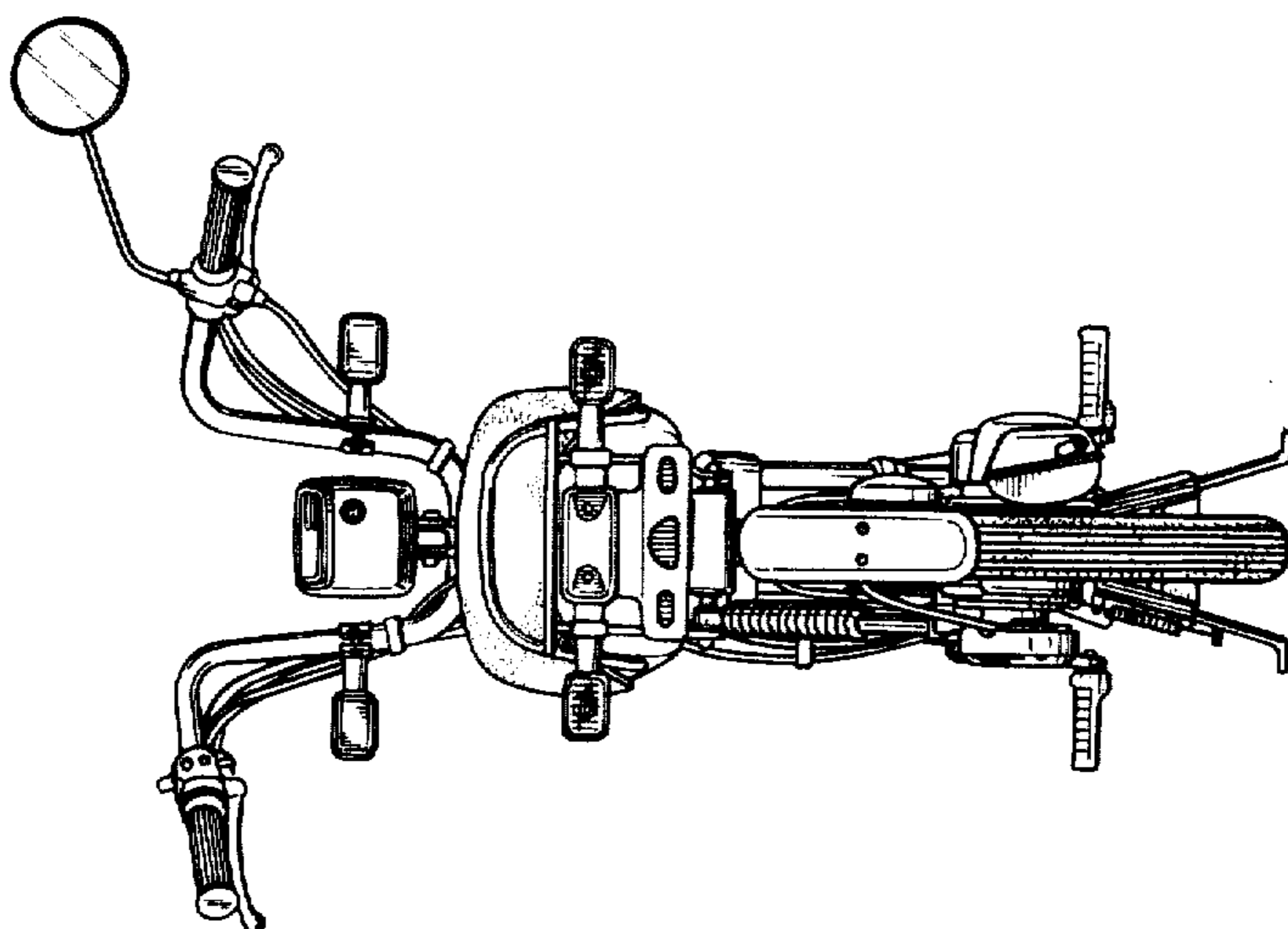


FIG.1

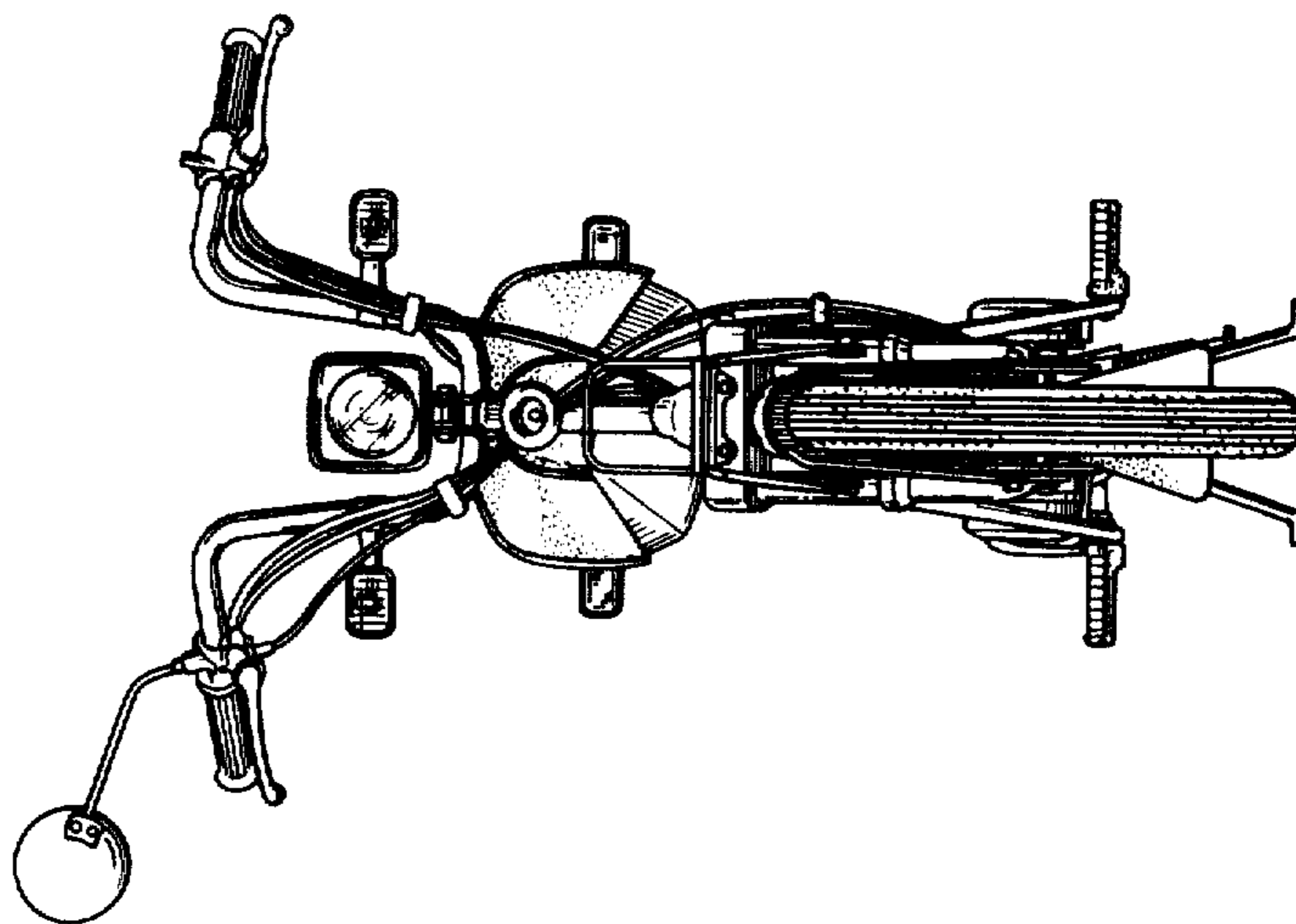


FIG.3

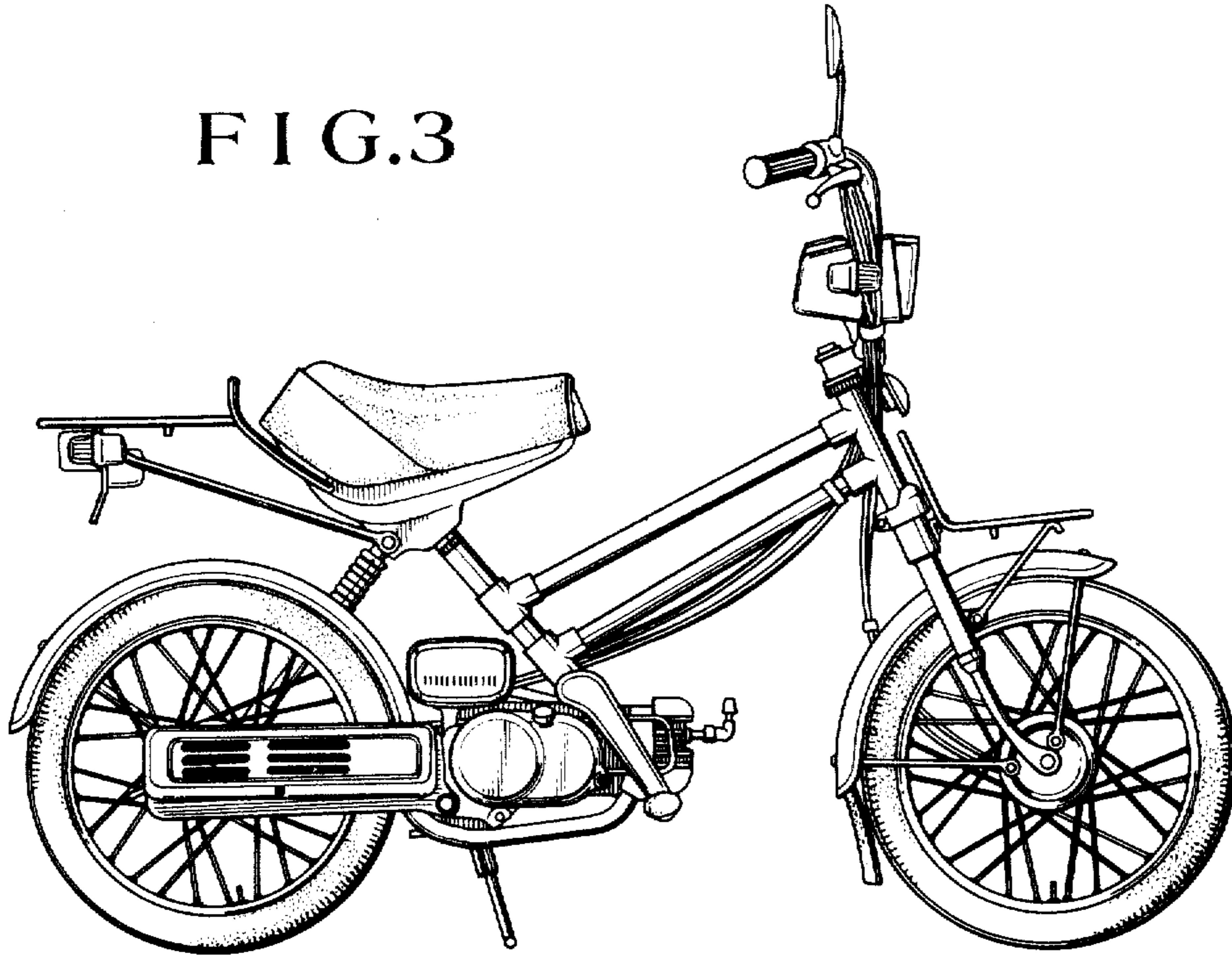


FIG.4

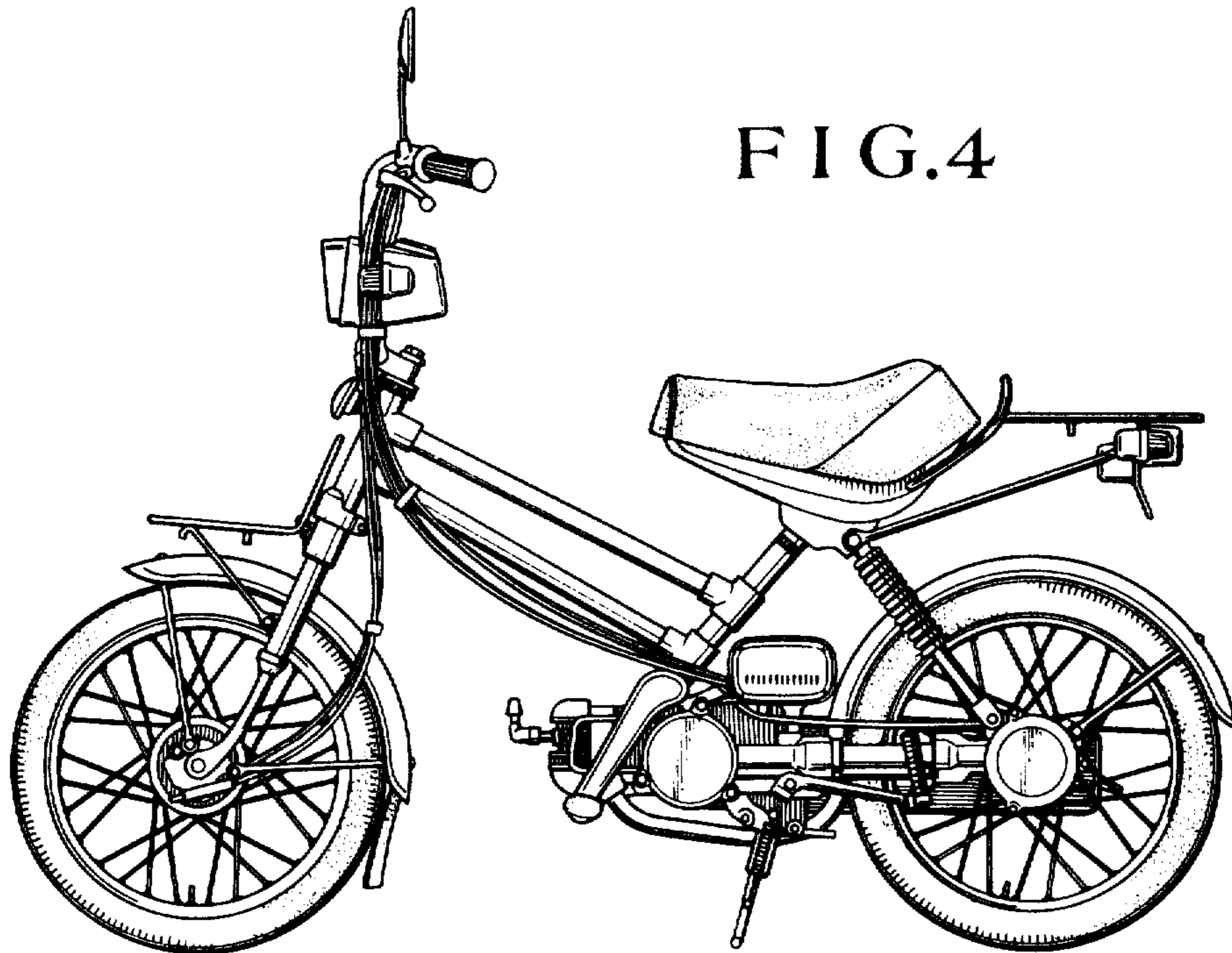


FIG.6

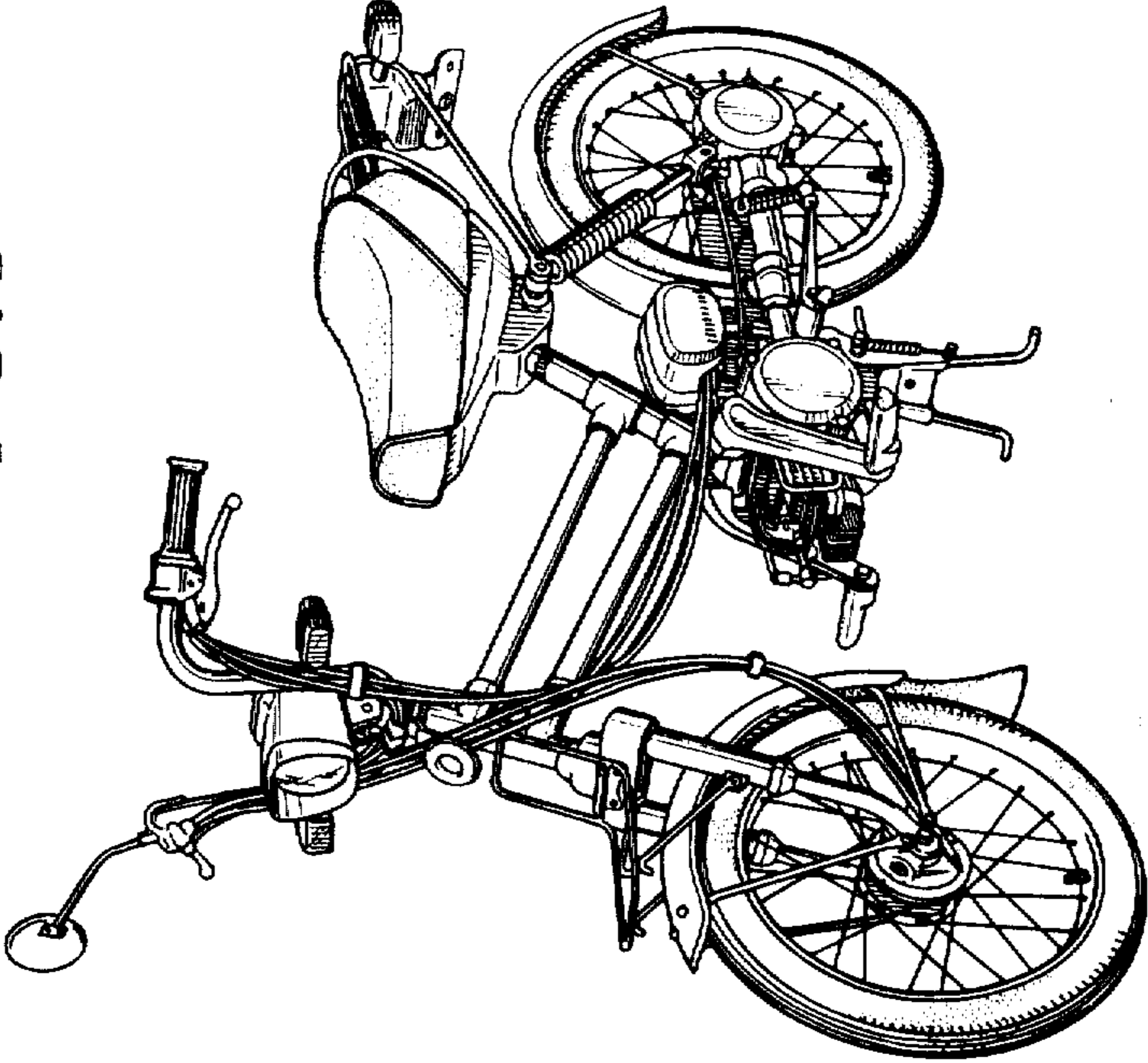
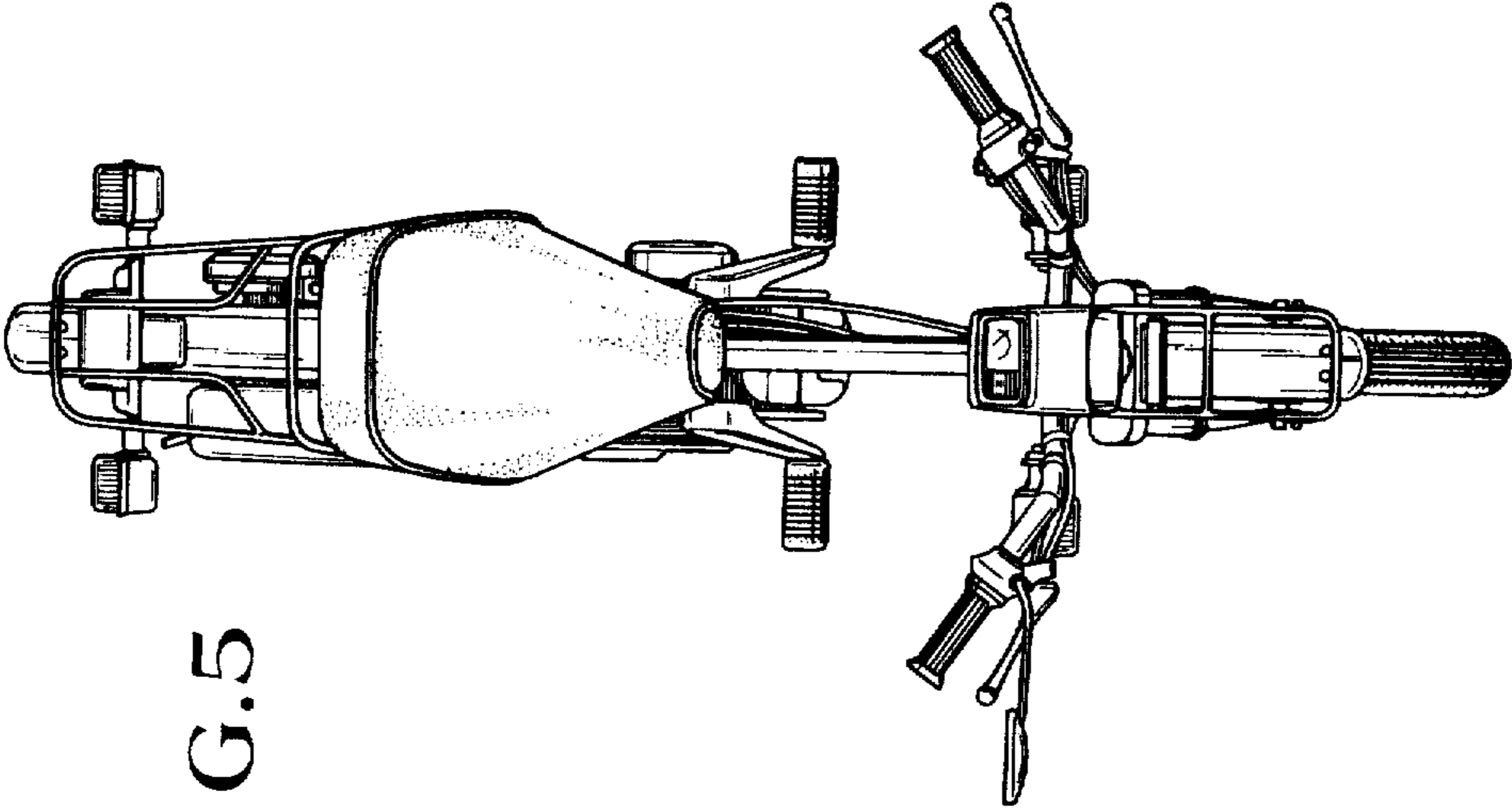


FIG.5



UNITED STATES PATENT AND TRADEMARK OFFICE
CERTIFICATE OF CORRECTION

PATENT NO. : Des. 263,038
DATED : February 16, 1982
INVENTOR(S) : HEIJI KOBAYASHI

It is certified that error appears in the above-identified patent and that said Letters Patent are hereby corrected as shown below:

On the Title page insert Item [73] Assignee:
YAMAHA HATSUDOKI KABUSHIKI KAISHA, Japan--.

Signed and Sealed this

Fifteenth Day of June 1982

[SEAL]

Attest:

Attesting Officer

GERALD J. MOSSINGHOFF

Commissioner of Patents and Trademarks