

[54] CHARIOT

[76] Inventor: Arnold C. Brown, 19424 Valerio St., Reseda, Calif. 91335

[**] Term: 14 Years

[21] Appl. No.: 15,714

[22] Filed: Feb. 27, 1979

[51] Int. Cl. D12-10

[52] U.S. Cl. D12/105; D12/100

[58] Field of Search D12/101, 102, 103, 104, D12/105; 280/47.25, 63, 204

[56] References Cited

U.S. PATENT DOCUMENTS

- D. 149,806 6/1948 Gaboury D12/105
- D. 152,322 1/1949 Chapin D12/105
- 3,840,085 10/1974 Smith 280/204

FOREIGN PATENT DOCUMENTS

778954 7/1957 United Kingdom 280/78

Primary Examiner—T. Tung
Attorney, Agent, or Firm—Sanford Astor

[57] CLAIM

The ornamental design for a chariot, as shown and described.

DESCRIPTION

FIG. 1 is a perspective view of the chariot embodying my new design;
 FIG. 2 is a bottom perspective view thereof;
 FIG. 3 is a front elevation view thereof;
 FIG. 4 is a left side view thereof;
 FIG. 5 is a right side view thereof;
 FIG. 6 is a rear view thereof.
 The showing of the connecting member is fragmentary in FIGS. 1, 3, 4 and 5.

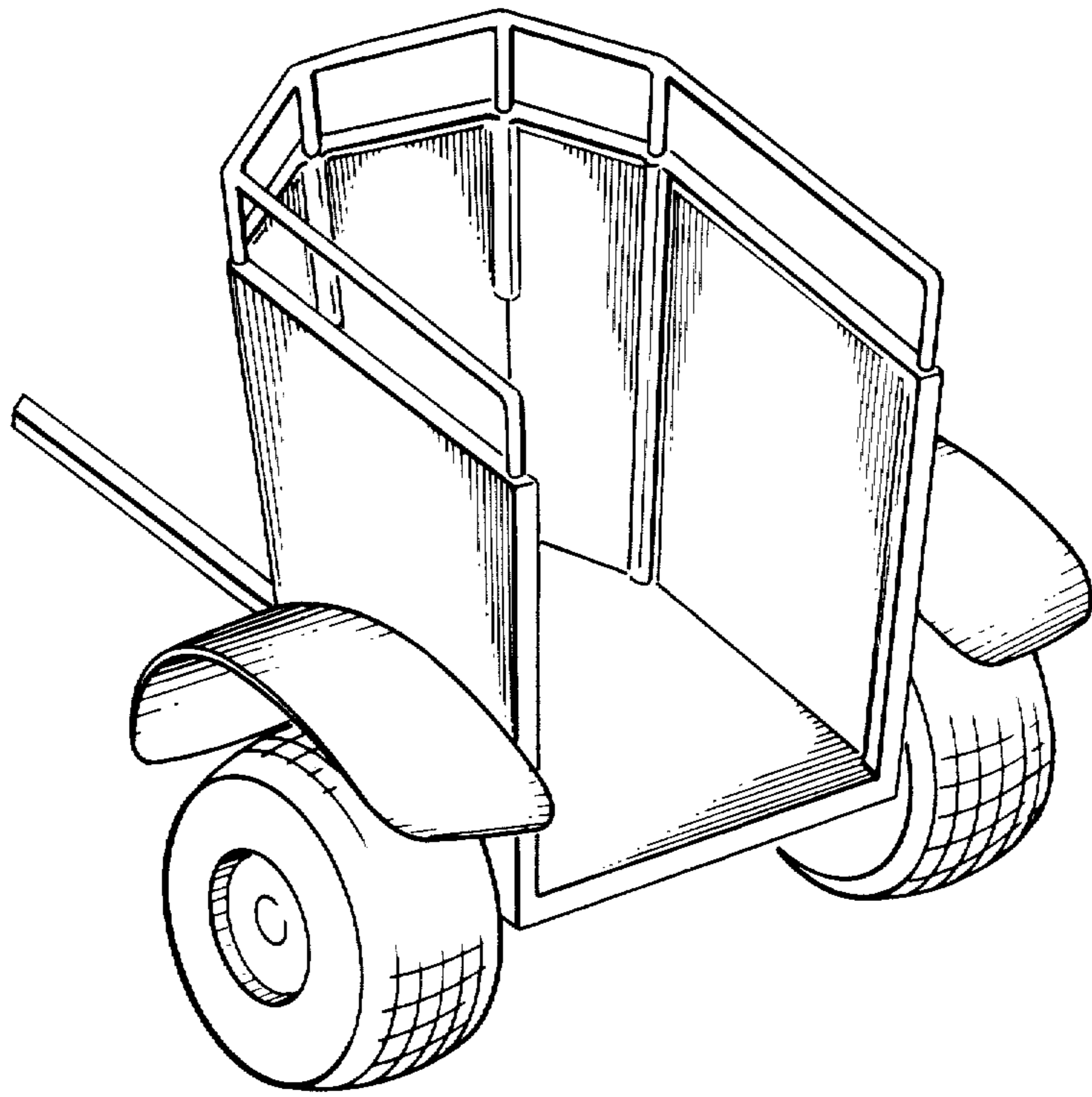


Fig. 1

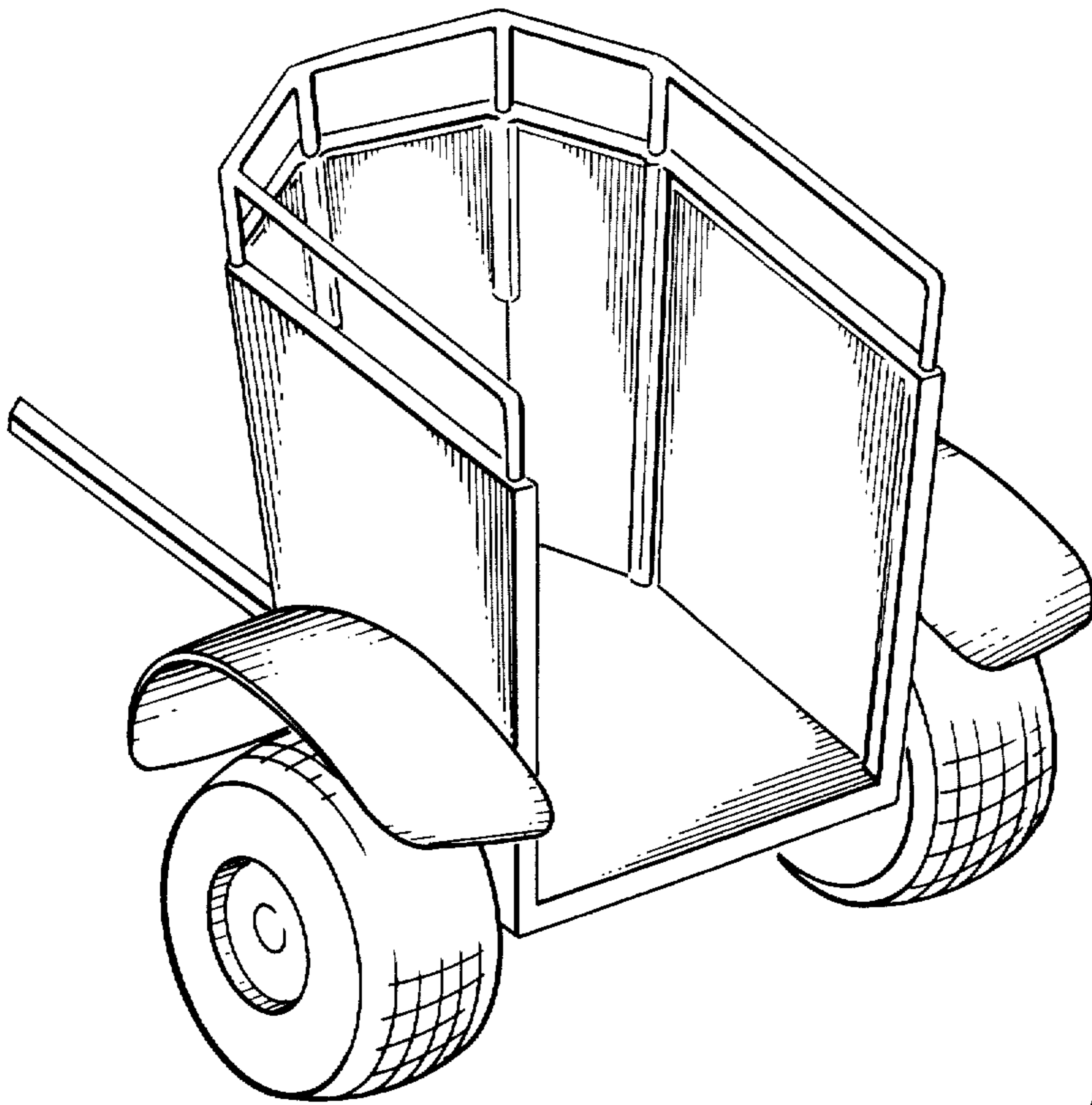


Fig. 2

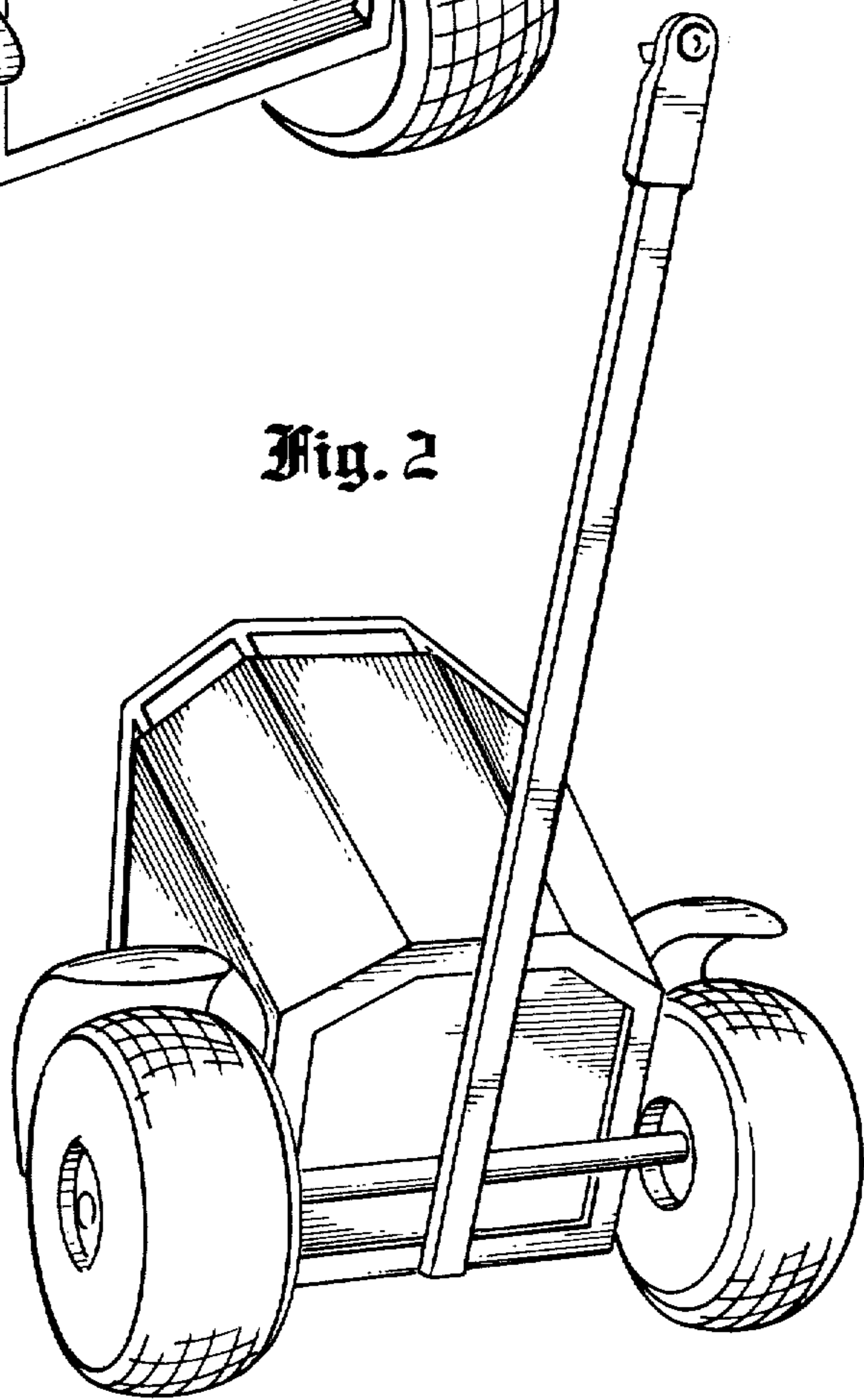


Fig. 3

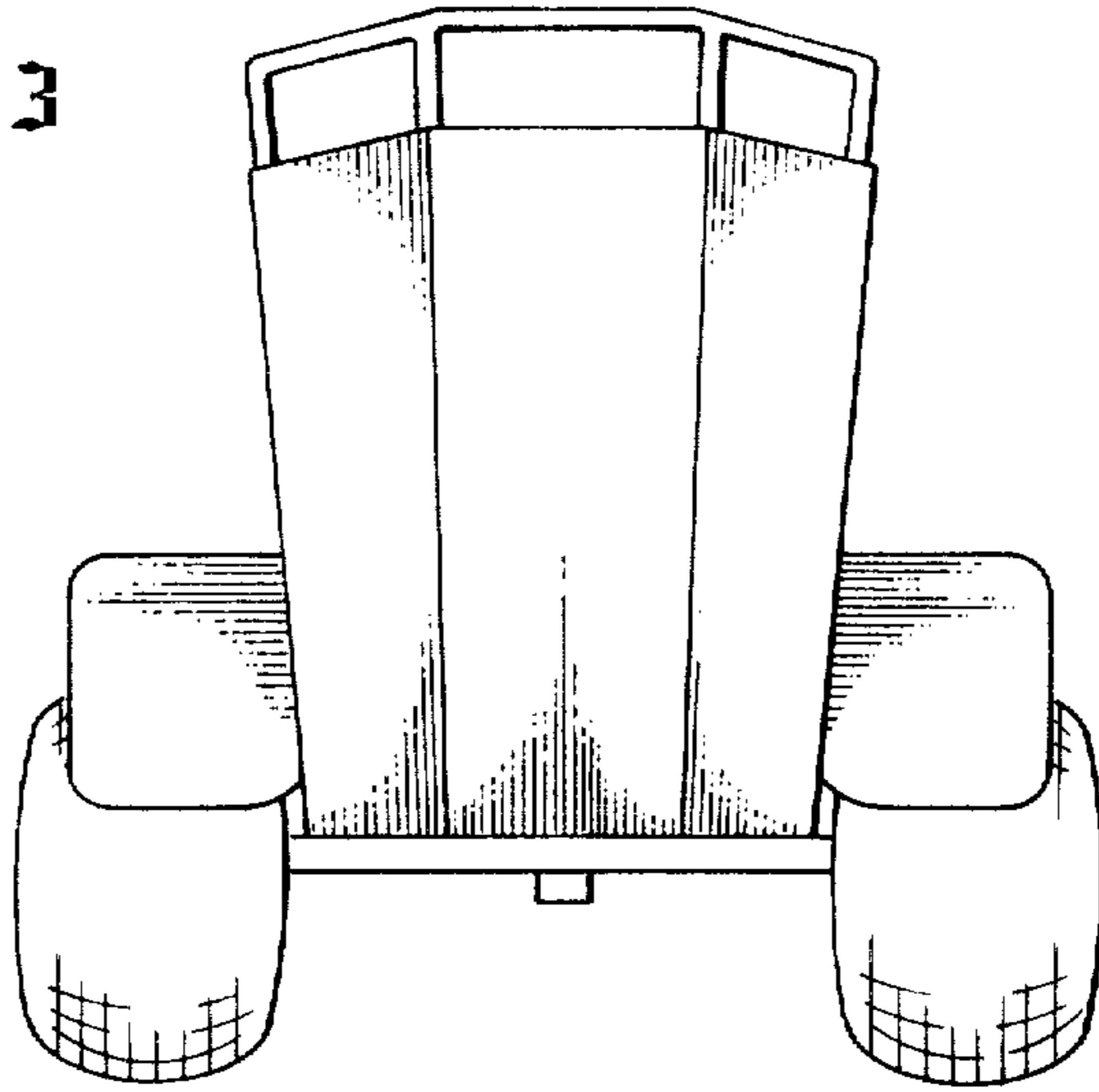


Fig. 4

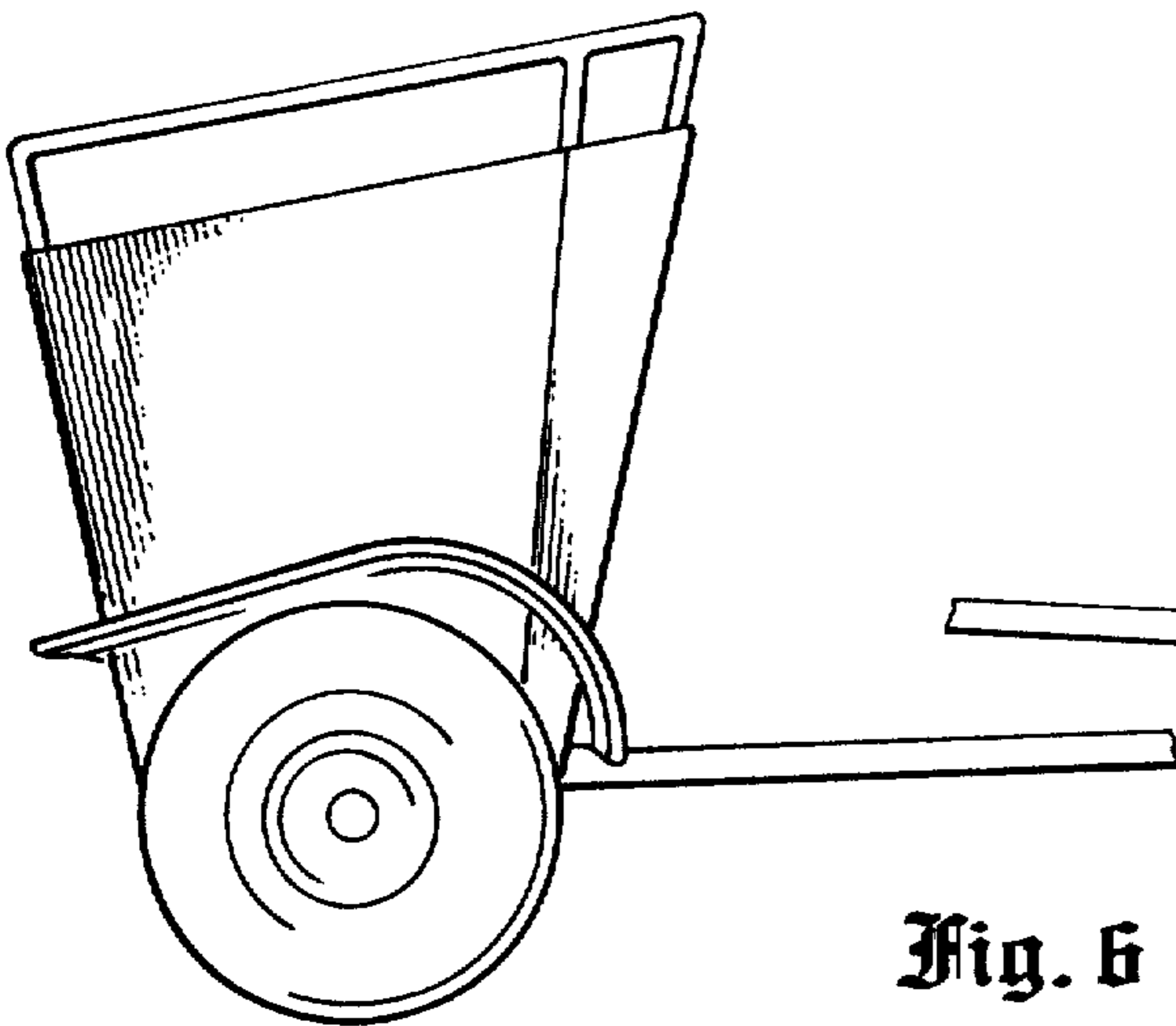


Fig. 5

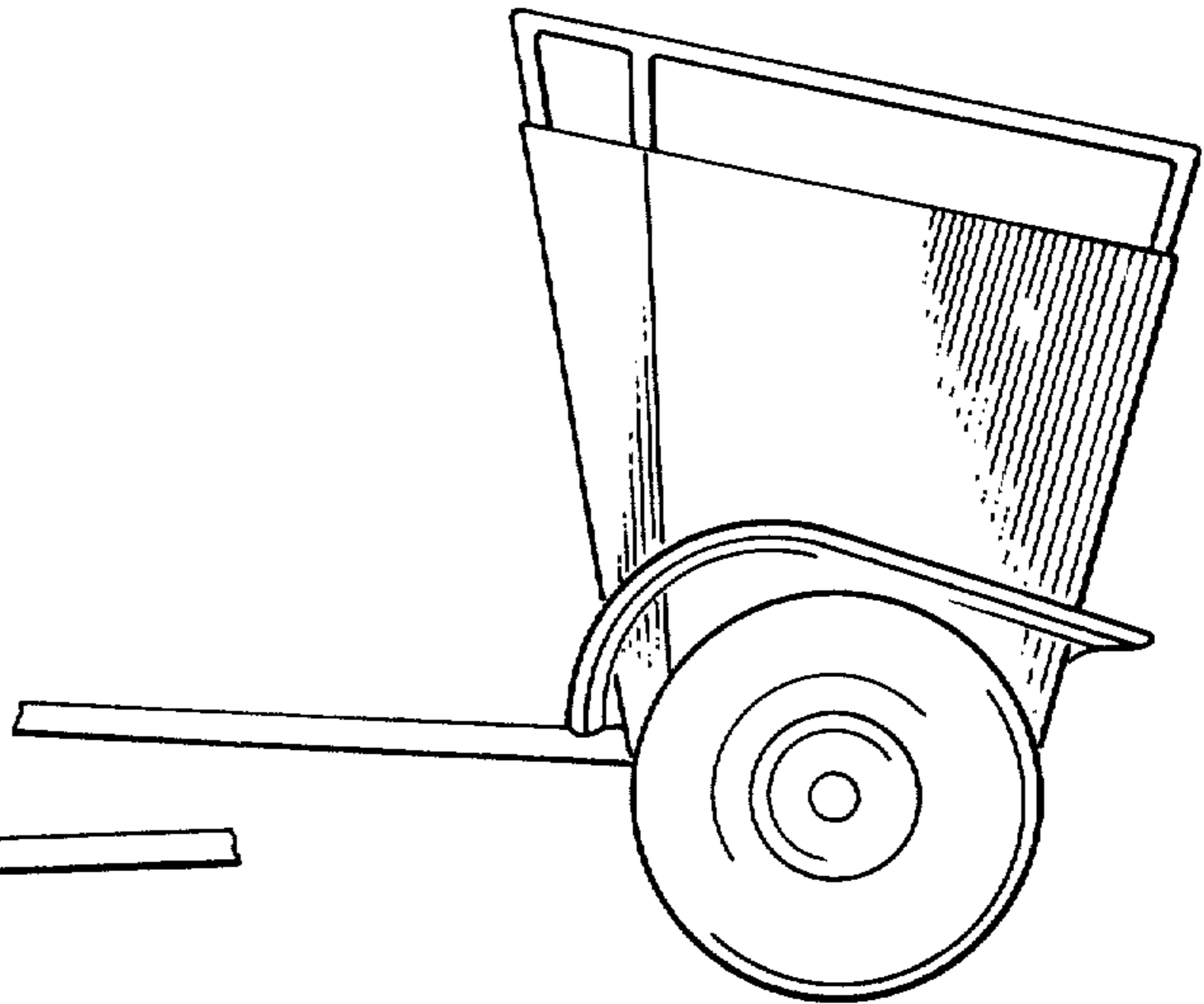


Fig. 6

