

[54] **PACKAGING FOR FOOD CONTAINER OR THE LIKE**

[75] Inventor: **Nicholas D. Commisso, Victor, N.Y.**

[73] Assignee: **Mobil Oil Corporation, New York, N.Y.**

[\*] Notice: The portion of the term of this patent subsequent to Feb. 9, 1996, has been disclaimed.

[\*\*] Term: **14 Years**

[21] Appl. No.: **810,558**

[22] Filed: **Jun. 27, 1977**

[51] Int. Cl. .... **D9-03**

[52] U.S. Cl. .... **D9/347; D9/420**

[58] Field of Search ..... 229/1.5, 2.5, 3.5; D9/182, 183, 219; D7/16, 38; 220/4 B, 4 E, 20-22.3

[56] **References Cited**

**U.S. PATENT DOCUMENTS**

D. 236,692 9/1975 Haase ..... D9/185

D. 240,353 6/1976 Edwards ..... D9/183  
D. 253,456 11/1979 Payne ..... D9/235 X  
3,968,921 7/1976 Jewell ..... 229/2.5 R  
4,079,880 3/1978 Edwards ..... 229/2.5 R X

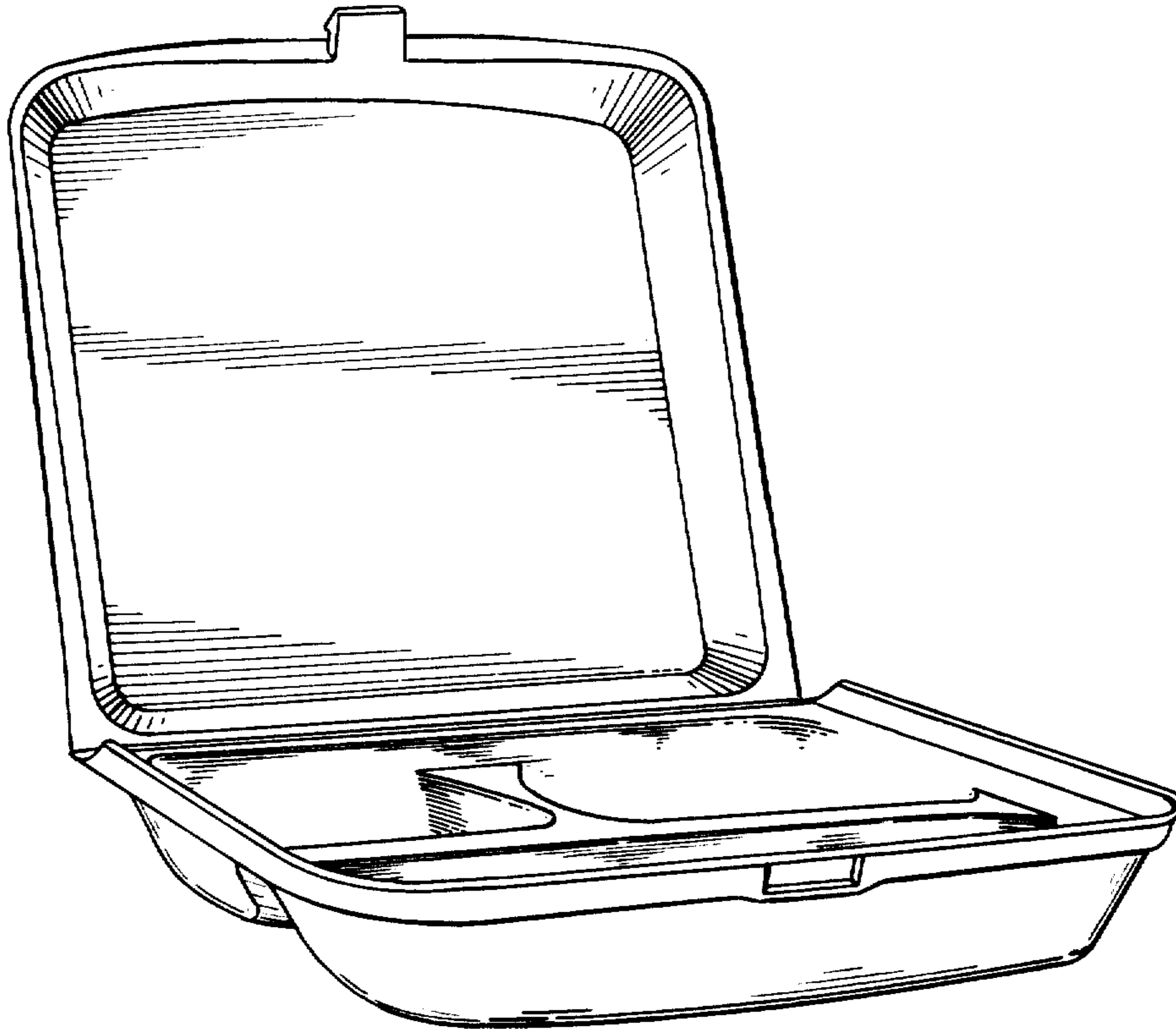
*Primary Examiner*—Robert C. Spangler  
*Attorney, Agent, or Firm*—Charles A. Huggett; Michael G. Gilman; James P. O'Sullivan, Sr.

[57] **CLAIM**

The ornamental design for a packaging container for food or the like, substantially as shown and described.

**DESCRIPTION**

FIG. 1 is a perspective view in a partially open position of a packaging container for food or the like showing my new design;  
FIG. 2 is an interior plan view in a fully open position;  
FIG. 3 is an enlarged fragmentary cross sectional view showing the container latch in a closed position;  
FIG. 4 is a top plan view in a closed position;  
FIG. 5 is a side elevational view thereof;  
FIG. 6 is a side elevational view of the side opposite that seen in FIG. 5;  
FIG. 7 is a bottom plan view thereof; and  
FIG. 8 is a rear elevational view thereof.



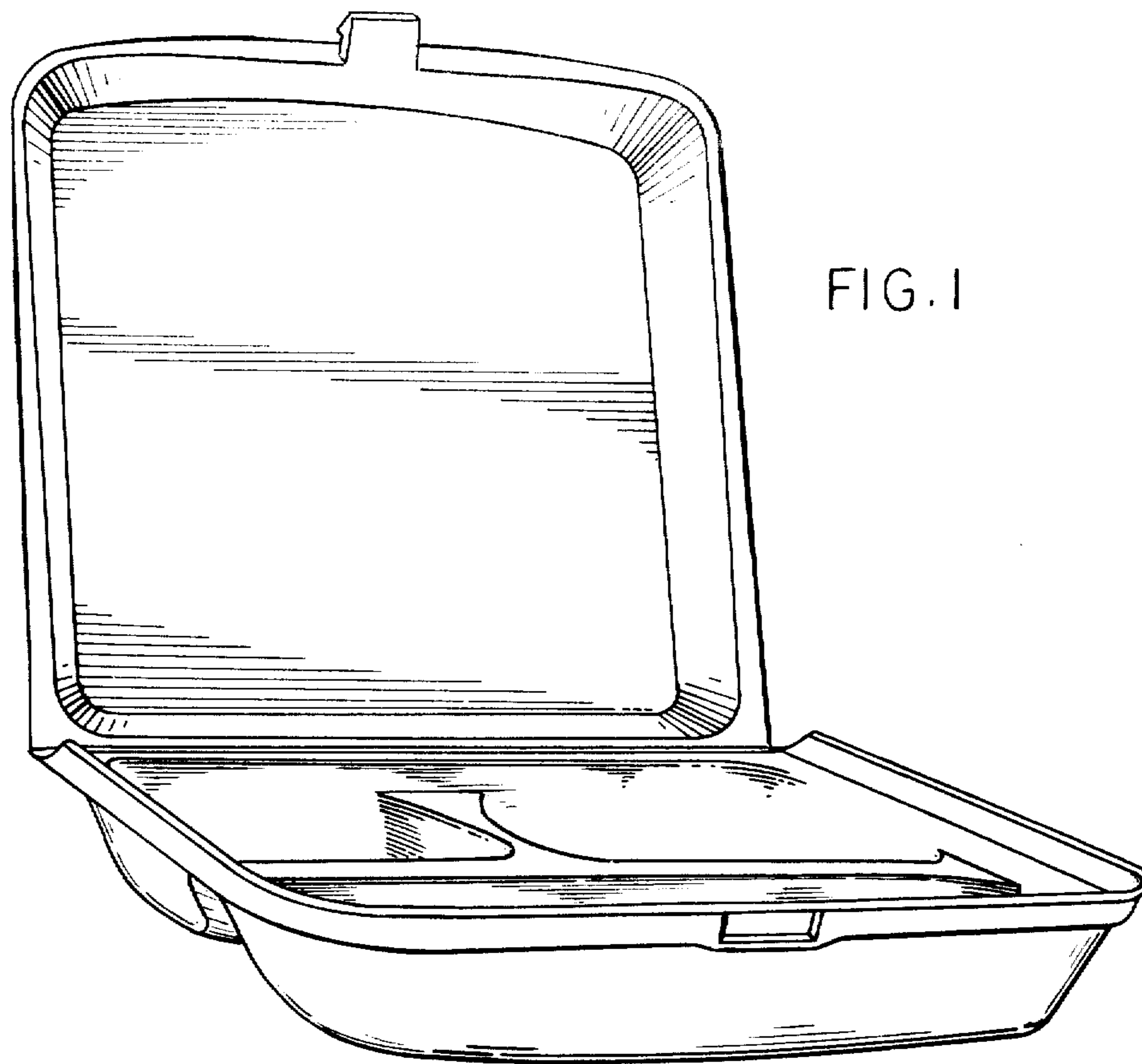


FIG. 3

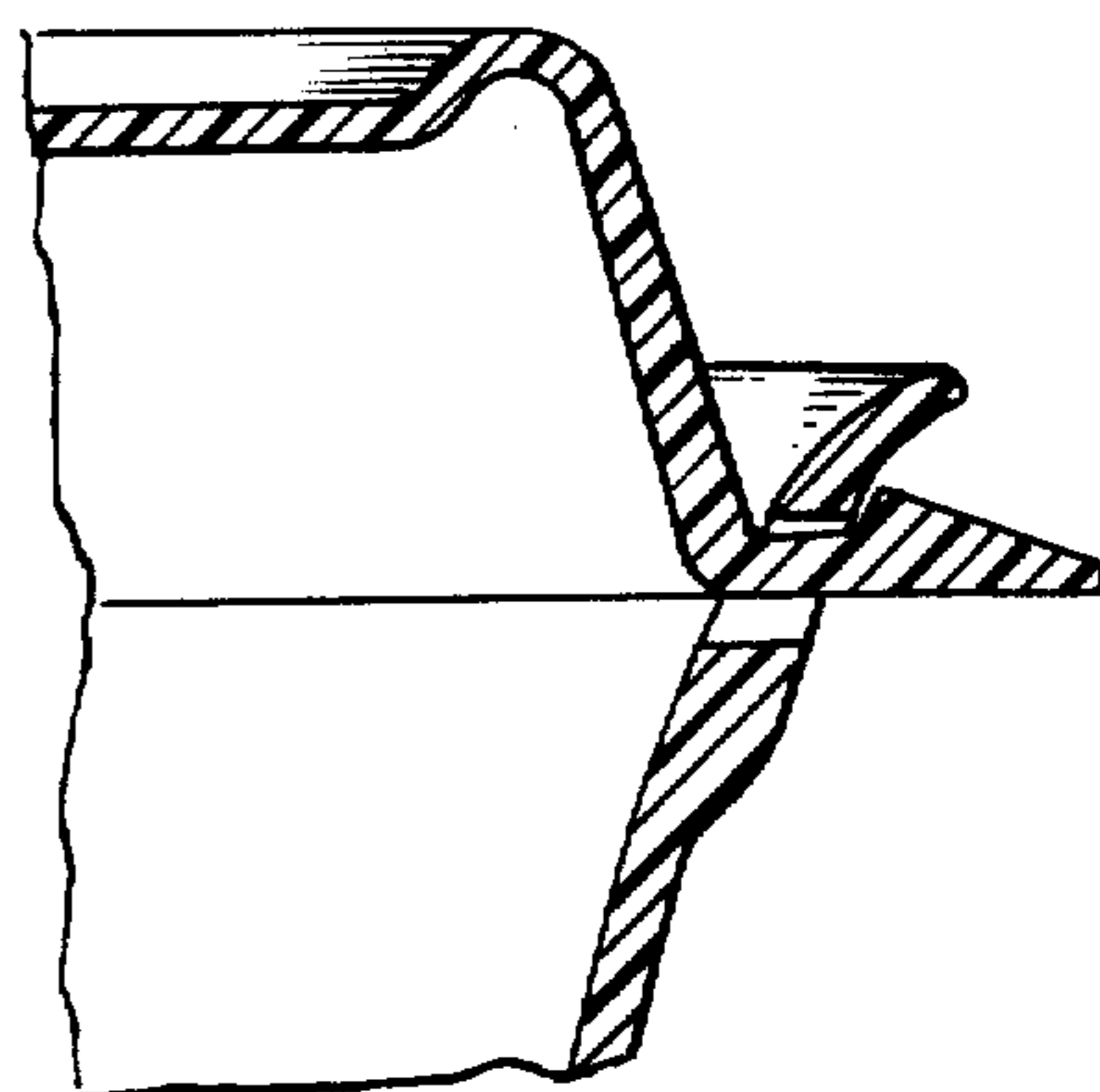
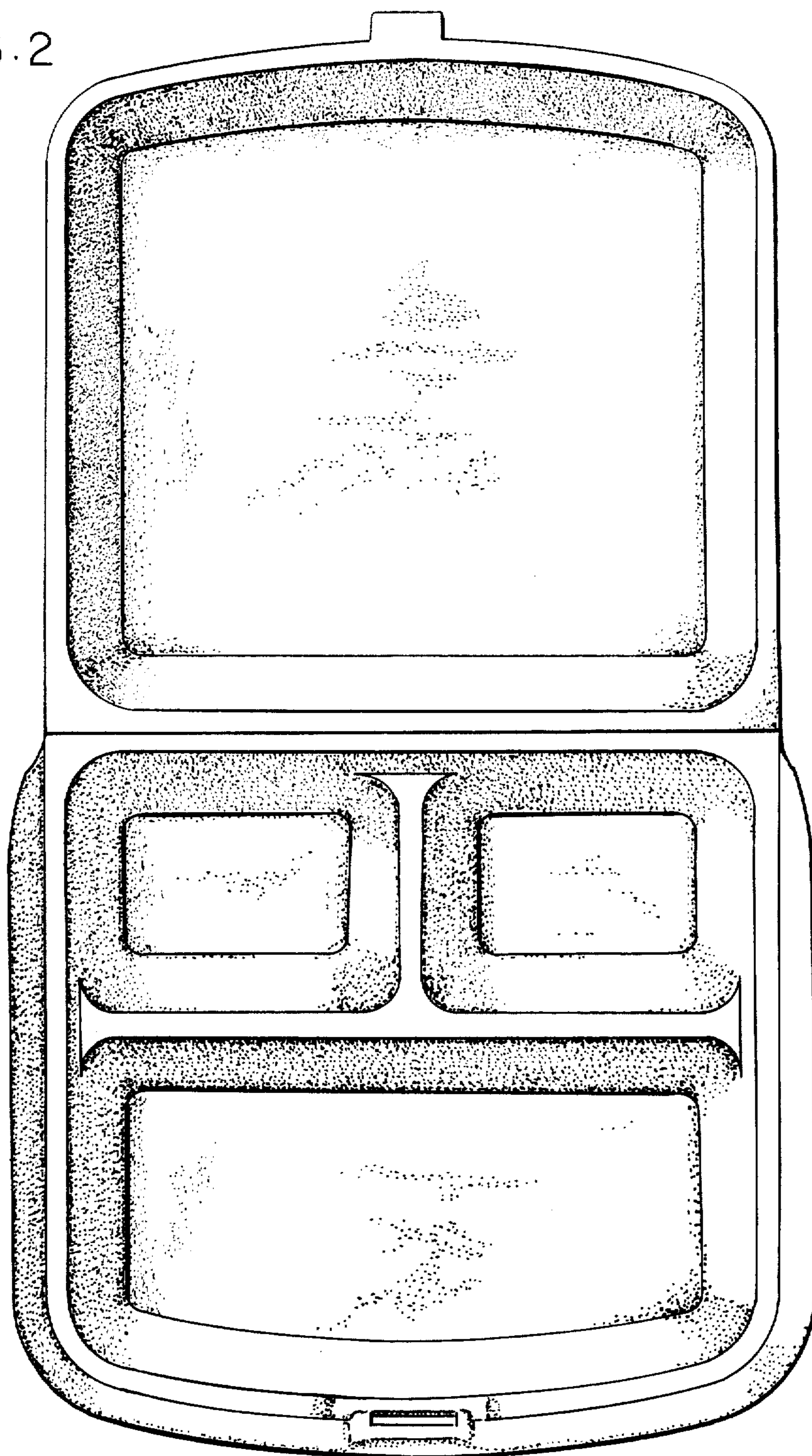


FIG. 2



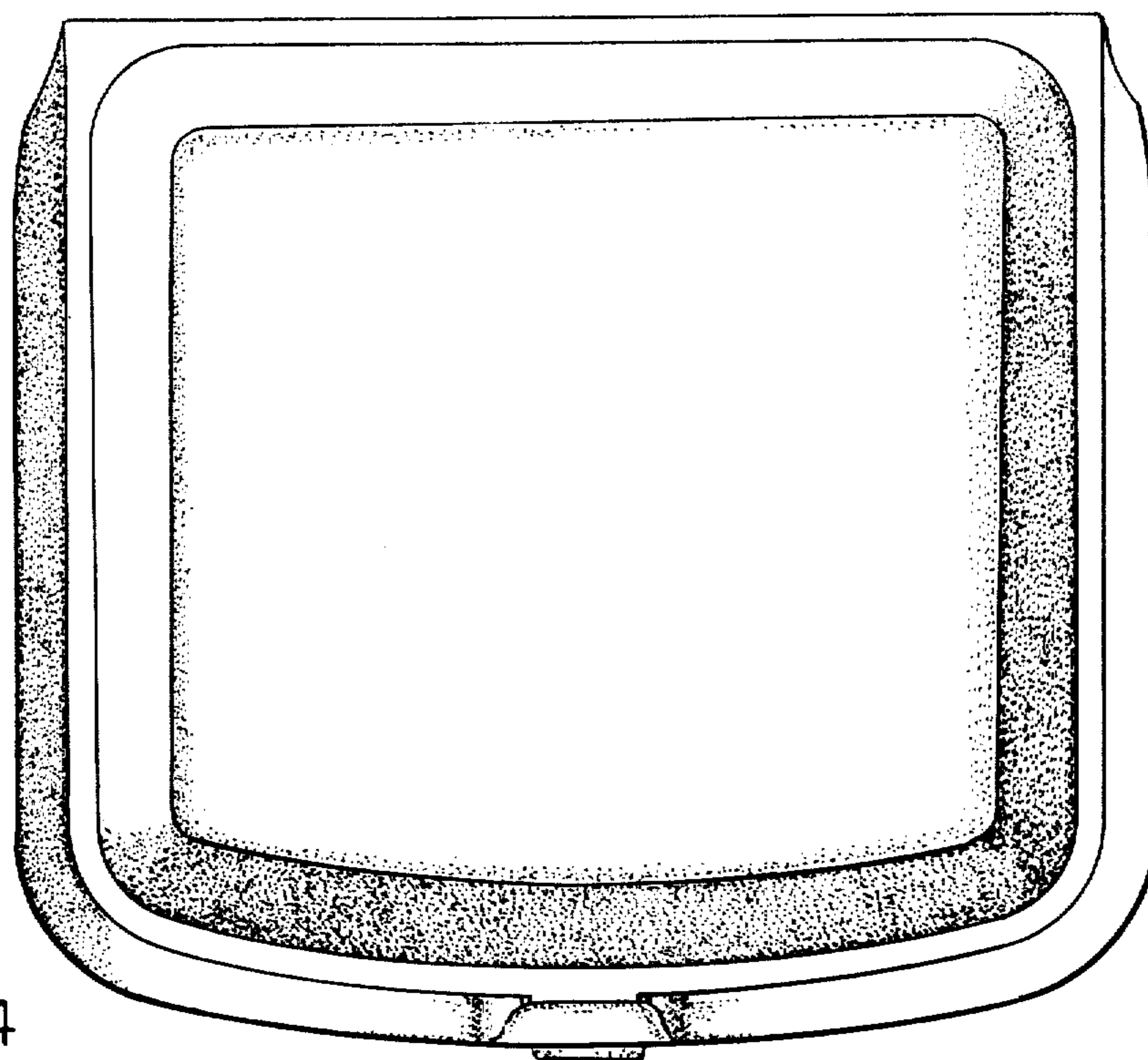


FIG. 4

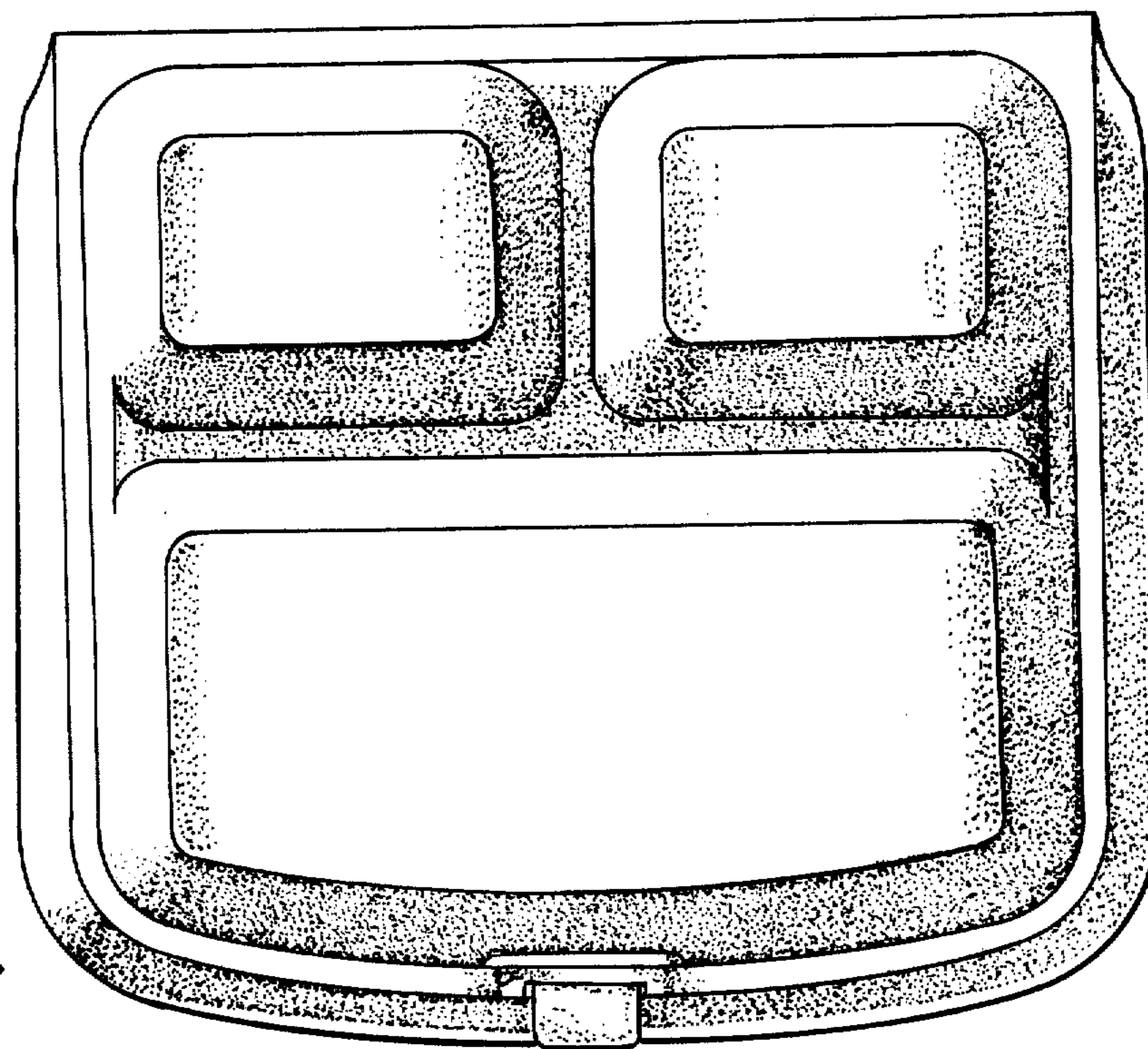


FIG. 7

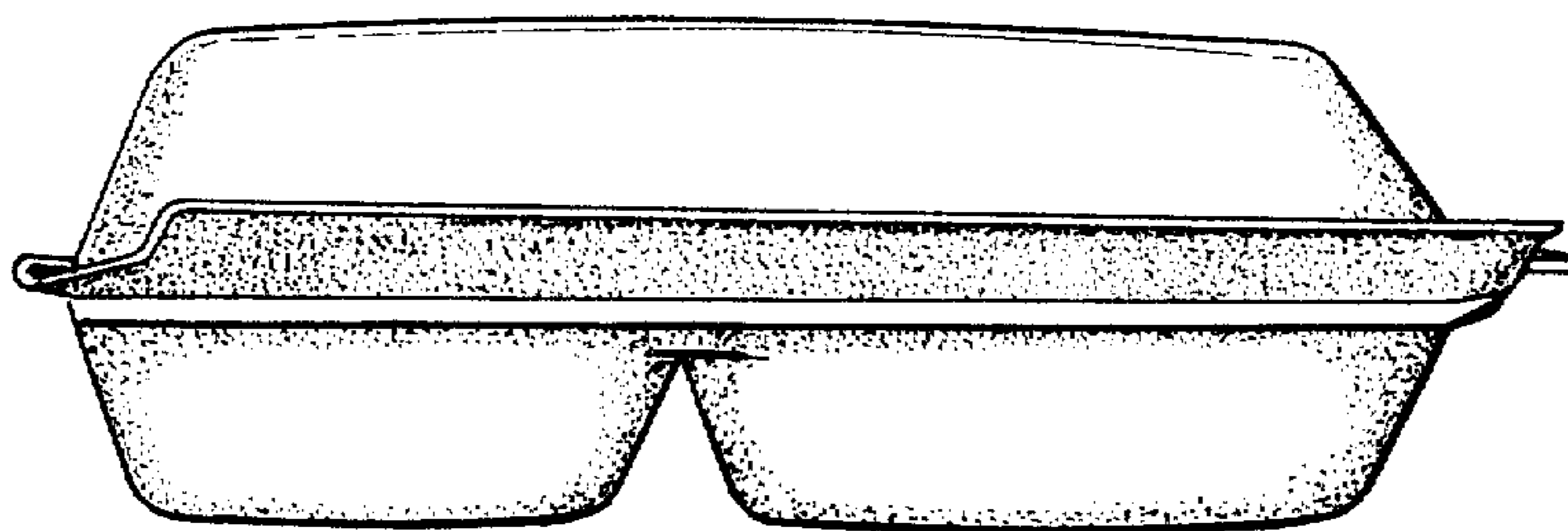


FIG. 5

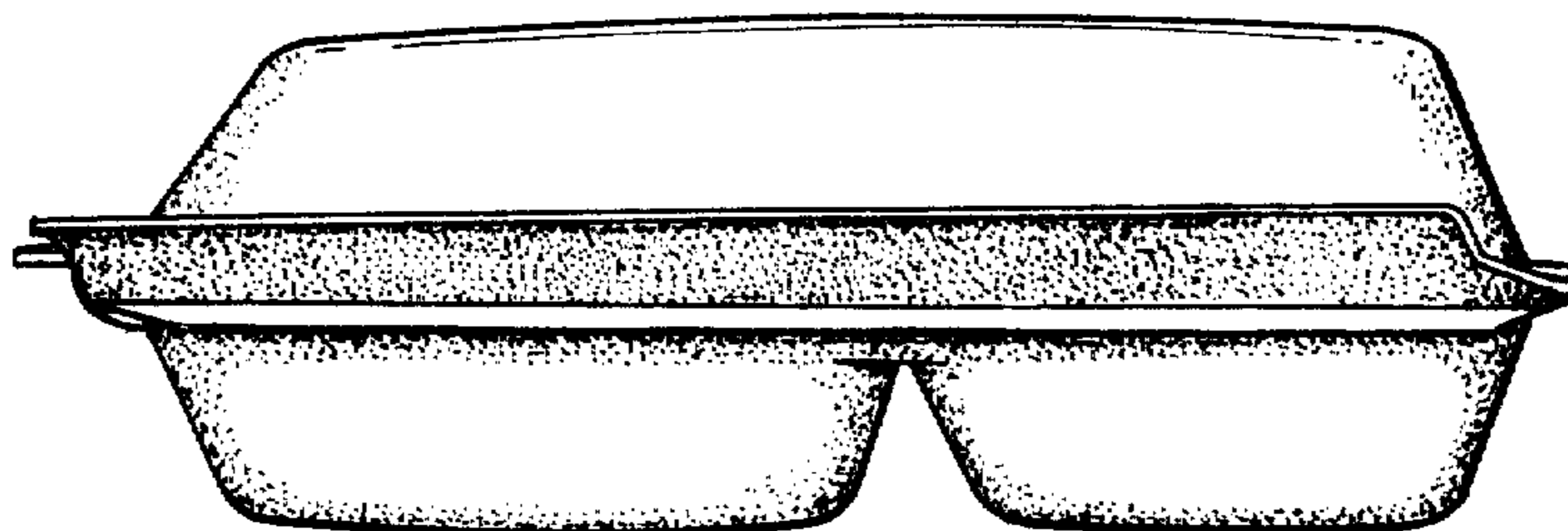


FIG. 6

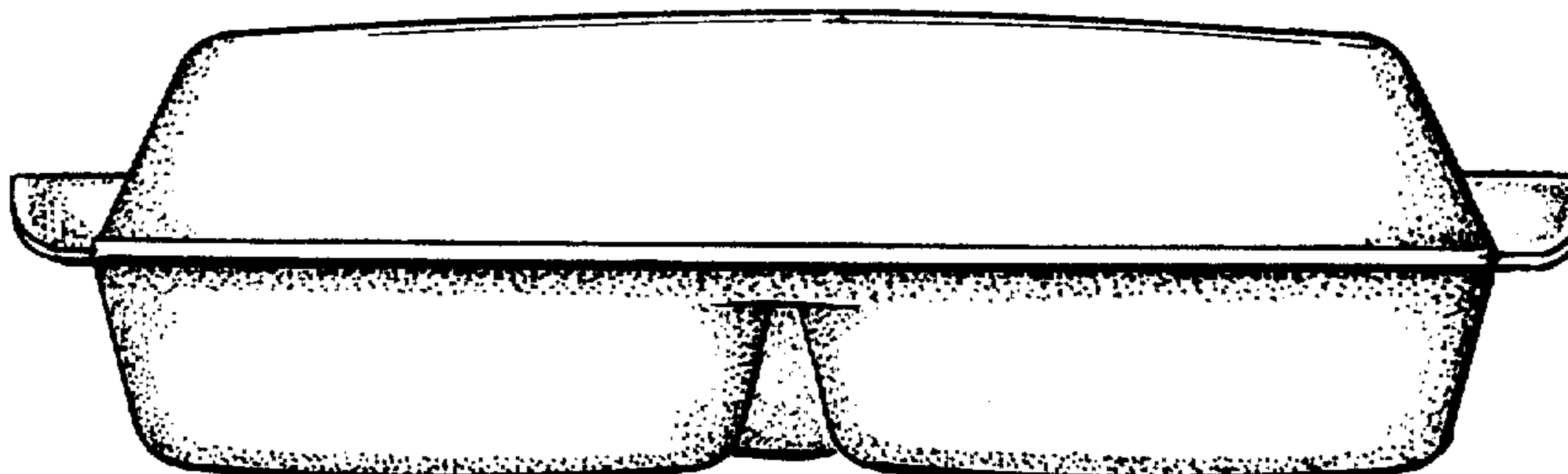


FIG. 8