

[54] RETRACTABLE KNIFE

[76] Inventor: David M. Rau, III, 1808 Dakota St., Lincoln, Nebr. 68502

[**] Term: 14 Years

[21] Appl. No.: 114,256

[22] Filed: Jan. 22, 1980

[51] Int. Cl. D8-03

[52] U.S. Cl. D8/99

[58] Field of Search D8/98, 99, 101, 15, D8/19, 20; 30/162, 335, 163

[56] References Cited

U.S. PATENT DOCUMENTS

D. 166,172	3/1952	Bureau	D8/98
D.230,823	3/1974	Gluck	D8/99
D. 241,803	10/1976	Amiot	D8/98 X
3,885,308	5/1975	Gordin	30/162

Primary Examiner—A. Hugo Word
Attorney, Agent, or Firm—Lowe, Kokjer, Kircher,
Wharton & Bowman

[57] CLAIM

The ornamental design for a retractable knife, as shown and described.

DESCRIPTION

FIG. 1 is a perspective view of my retractable knife; FIG. 2 is an elevational view of one side of the retractable knife, the other side being substantially identical thereto; FIG. 3 is a top plan view of the device shown in FIGS. 1 and 2; FIG. 4 is an elevational view of one end of the device; FIG. 5 is an elevational view of the opposite end thereof; and FIG. 6 is a perspective view of the invention with the knife blade retracted.

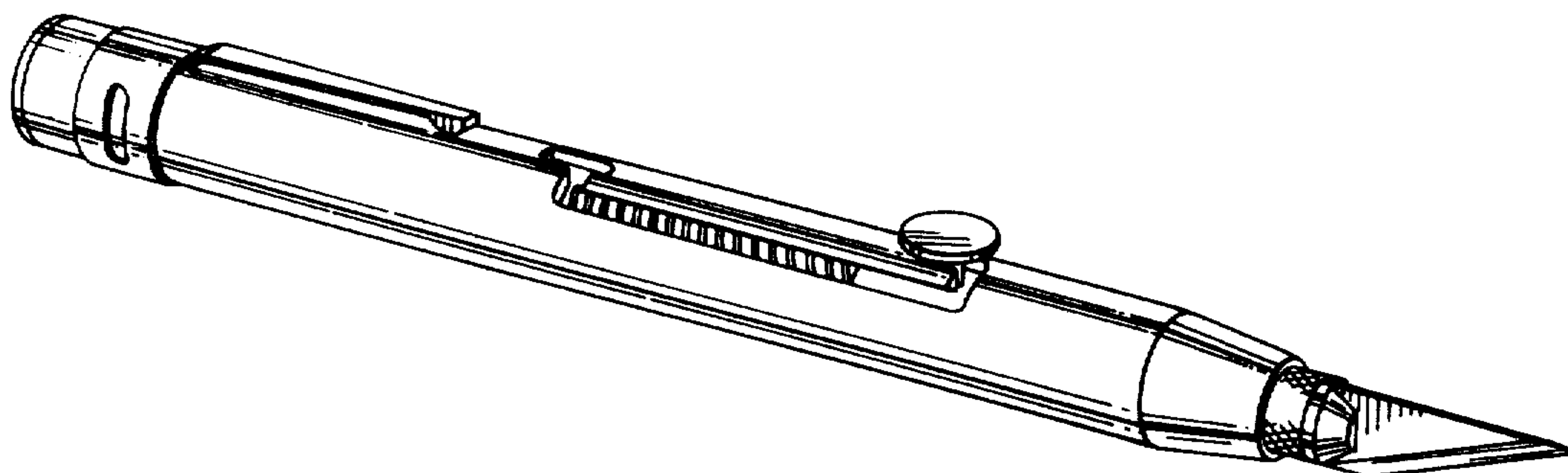


Fig. 1.

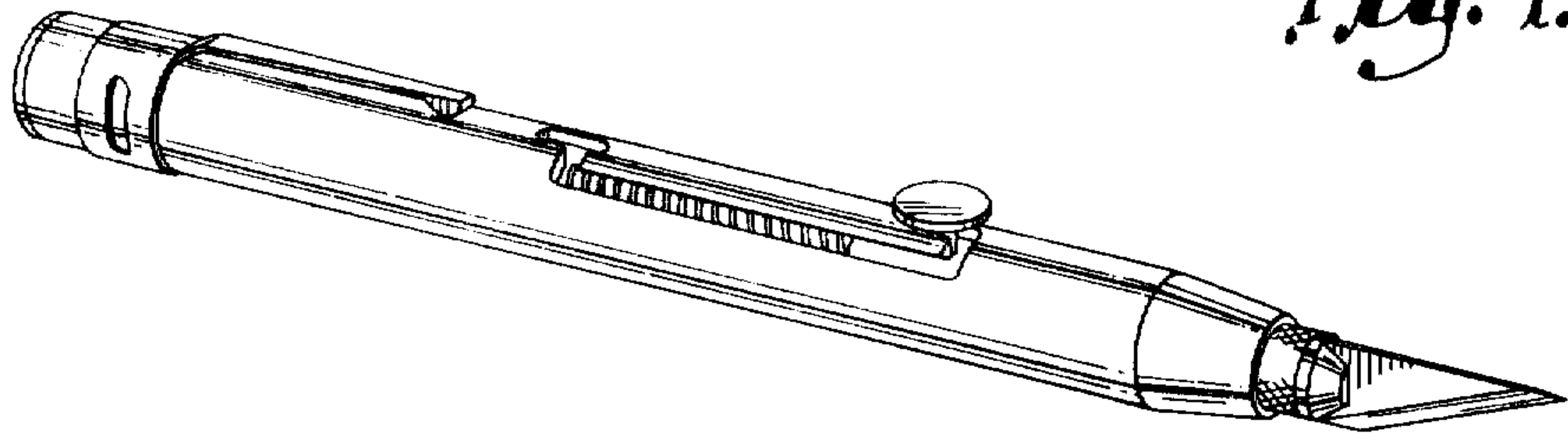


Fig. 2.

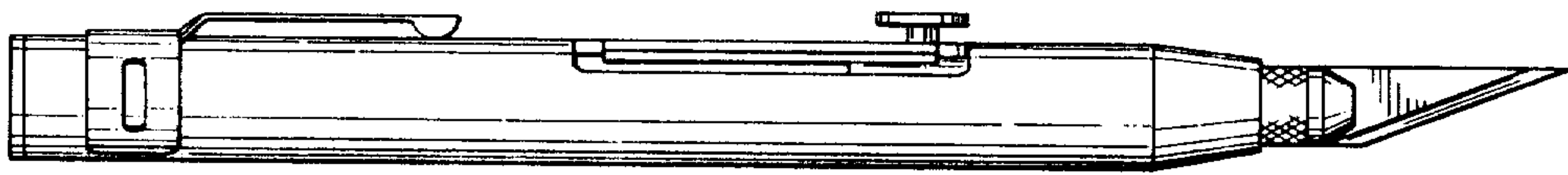


Fig. 3.

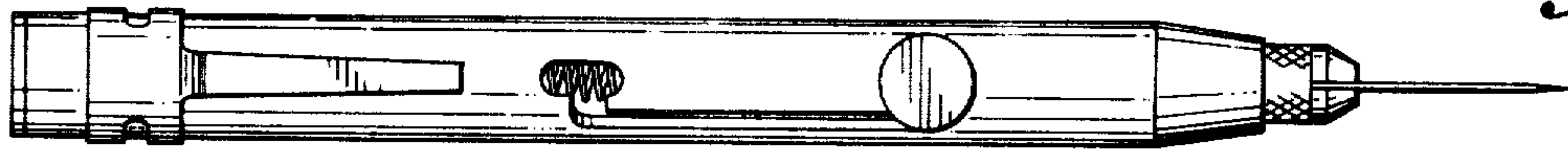


Fig. 4.

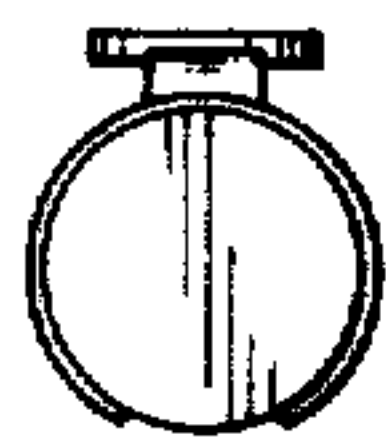


Fig. 5.

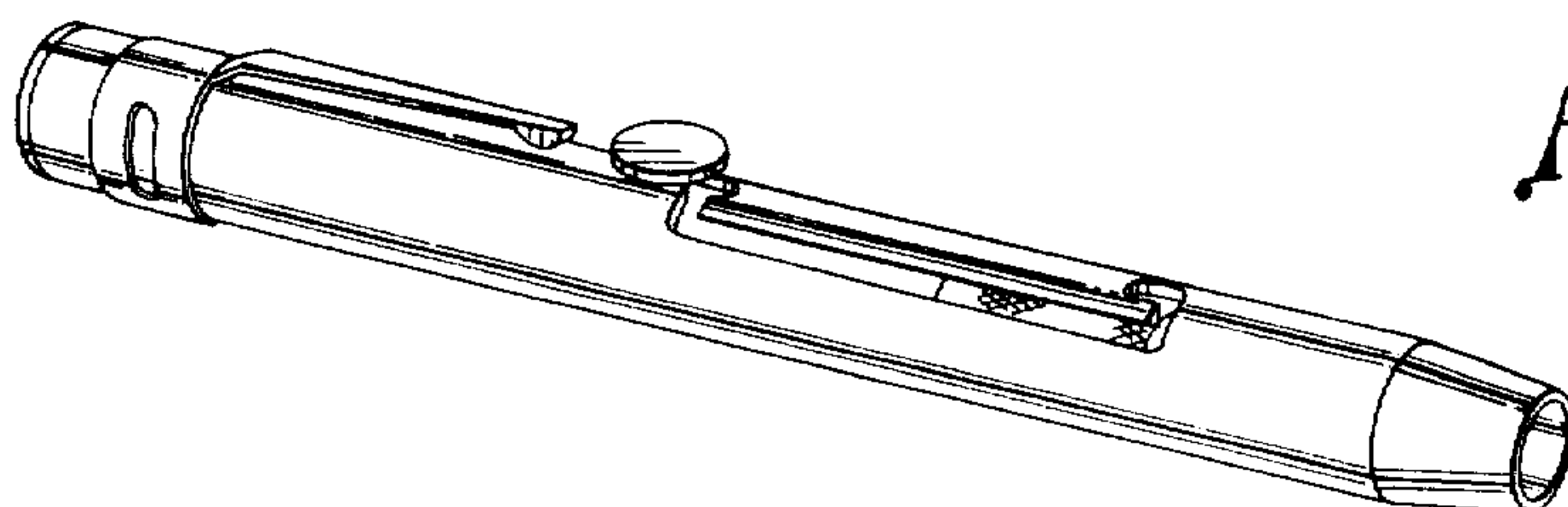


Fig. 6.