

[54] DRILL HARNESS

[76] Inventor: Jonas Samuelsson, 15 Syrénvägen, Örebro, Sweden

[\*\*] Term: 14 Years

[21] Appl. No.: 769

[22] Filed: Jan. 3, 1979

[51] Int. Cl. .... D8-05

[52] U.S. Cl. .... D8/70

[58] Field of Search .... D8/70; 408/92

[56] References Cited

U.S. PATENT DOCUMENTS

- D. 245,142 7/1977 Simms et al. .... D8/70
- D. 247,607 3/1978 Schneider, Sr. .... D8/70

Primary Examiner—Alan P. Douglas  
Attorney, Agent, or Firm—Donal B. Tobin

[57] CLAIM

The ornamental design for a drill harness, as shown and described.

DESCRIPTION

FIG. 1 shows a front perspective of the invention; and, FIG. 2 shows a rear perspective of the invention.

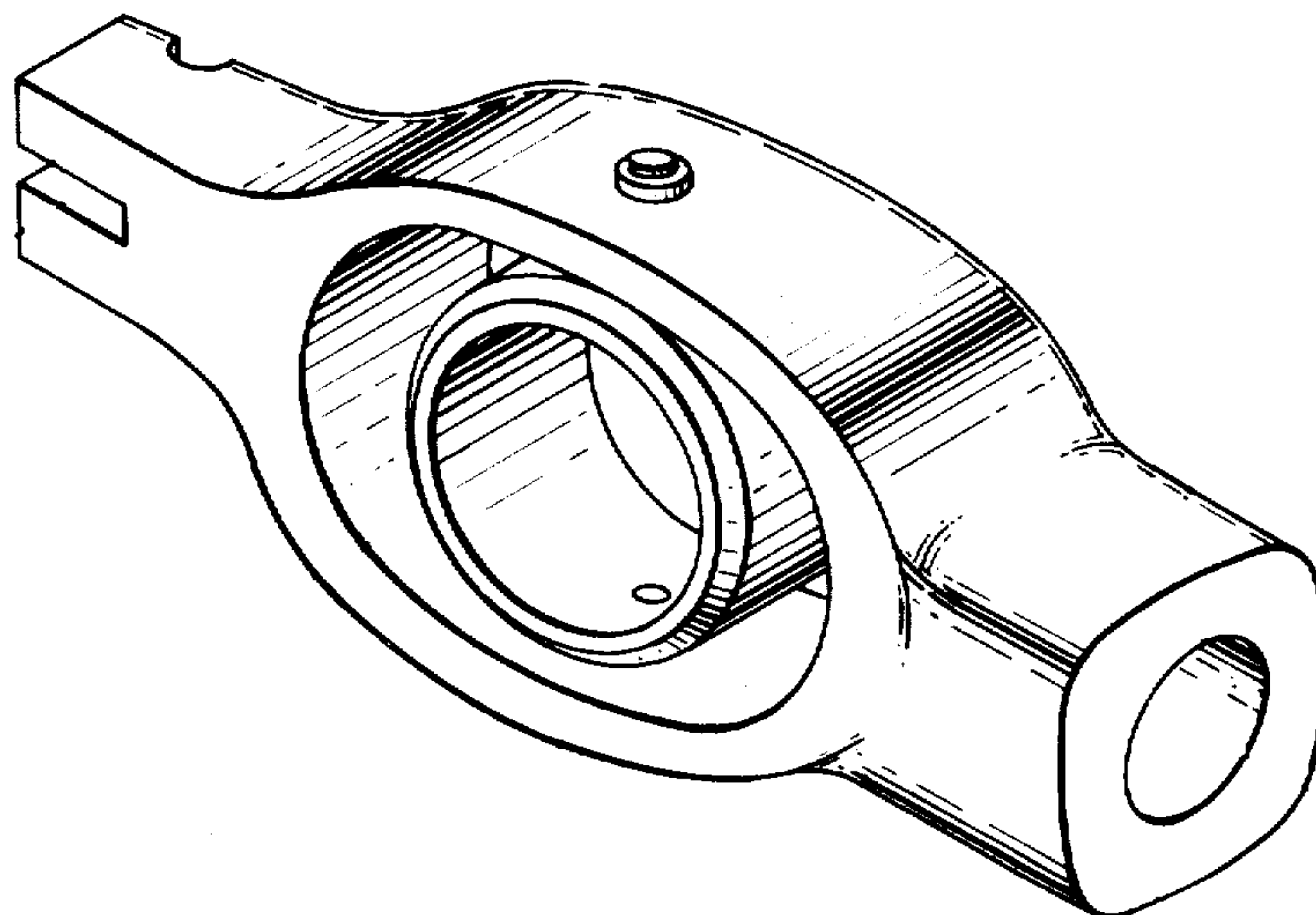


FIG. 1.

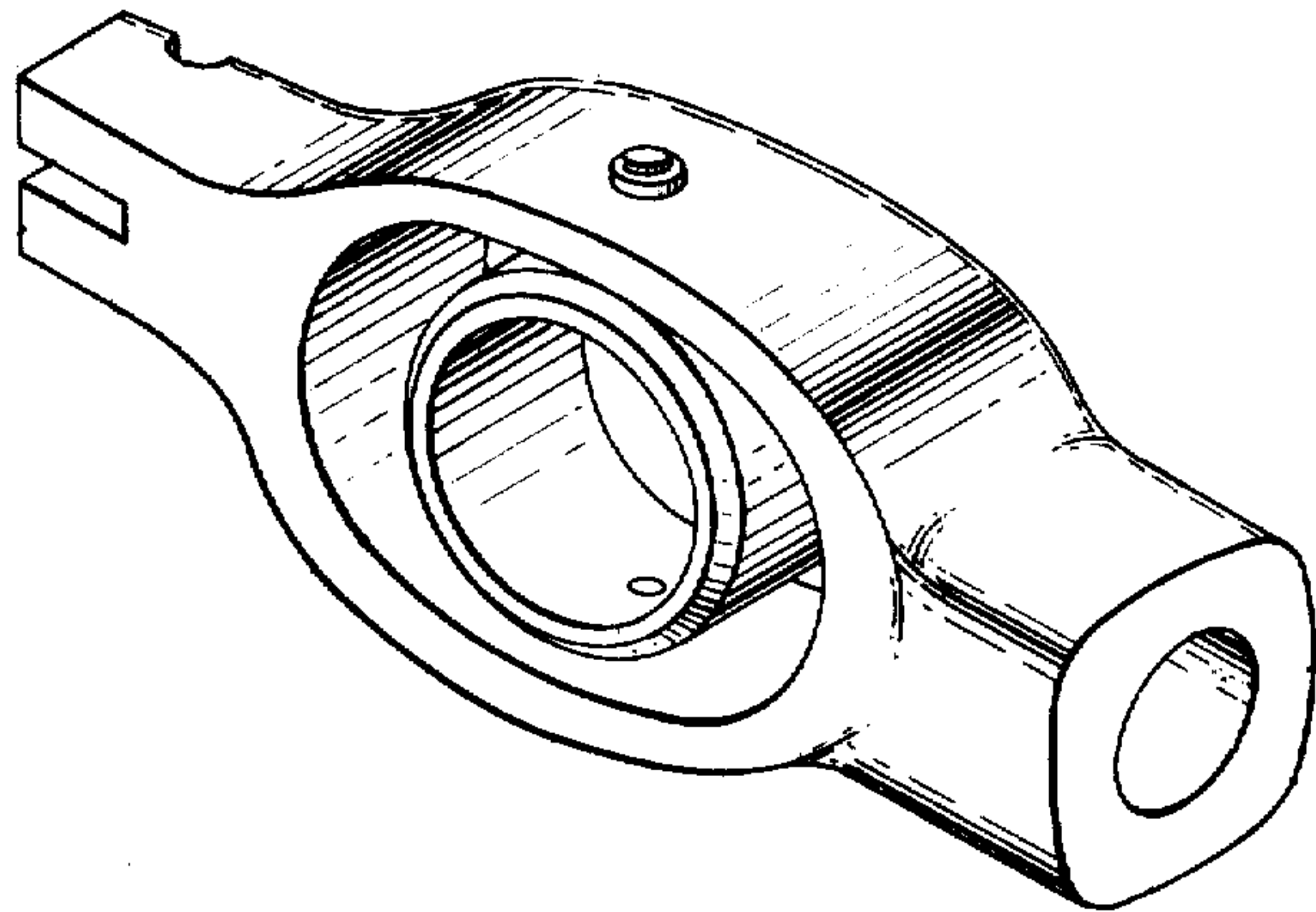


FIG. 2.

