

[54] LUNCH BOX

[76] Inventor: Peter T. Loncasty, 5513 S. College Ave., Tempe, Ariz. 85283

[**] Term: 14 Years

[21] Appl. No.: 113,489

[22] Filed: Jan. 21, 1980

[51] Int. Cl. D7-02

[52] U.S. Cl. D7/76; D3/72; D8/306

[58] Field of Search D3/72, 78; D8/306, 313; D7/76, 77; 206/541, 545, 549; 292/DIG. 30

[56] References Cited

U.S. PATENT DOCUMENTS

D. 28,605 5/1898 Snyder D7/76 X

D. 109,938 5/1938 Lightfoot et al. D7/76

D. 153,660 5/1949 Arbib D3/72

D. 168,362 12/1952 Lurie D8/306

D. 246,139 10/1977 Landell et al. D3/72 X

2,987,150 6/1961 Szabo D8/306 X

3,640,420 2/1972 Carter et al. D7/77 X

Primary Examiner—Jane E. Corrigan
 Attorney, Agent, or Firm—LaValle D. Ptak

[57] CLAIM

The ornamental design for a lunch box, as shown.

DESCRIPTION

FIG. 1 is a front, top and left side perspective view of a lunch box showing my new design;
 FIG. 2 is a right side elevational view;
 FIG. 3 is a rear elevational view;
 FIG. 4 is a front elevational view; and
 FIG. 5 is a bottom plan view.

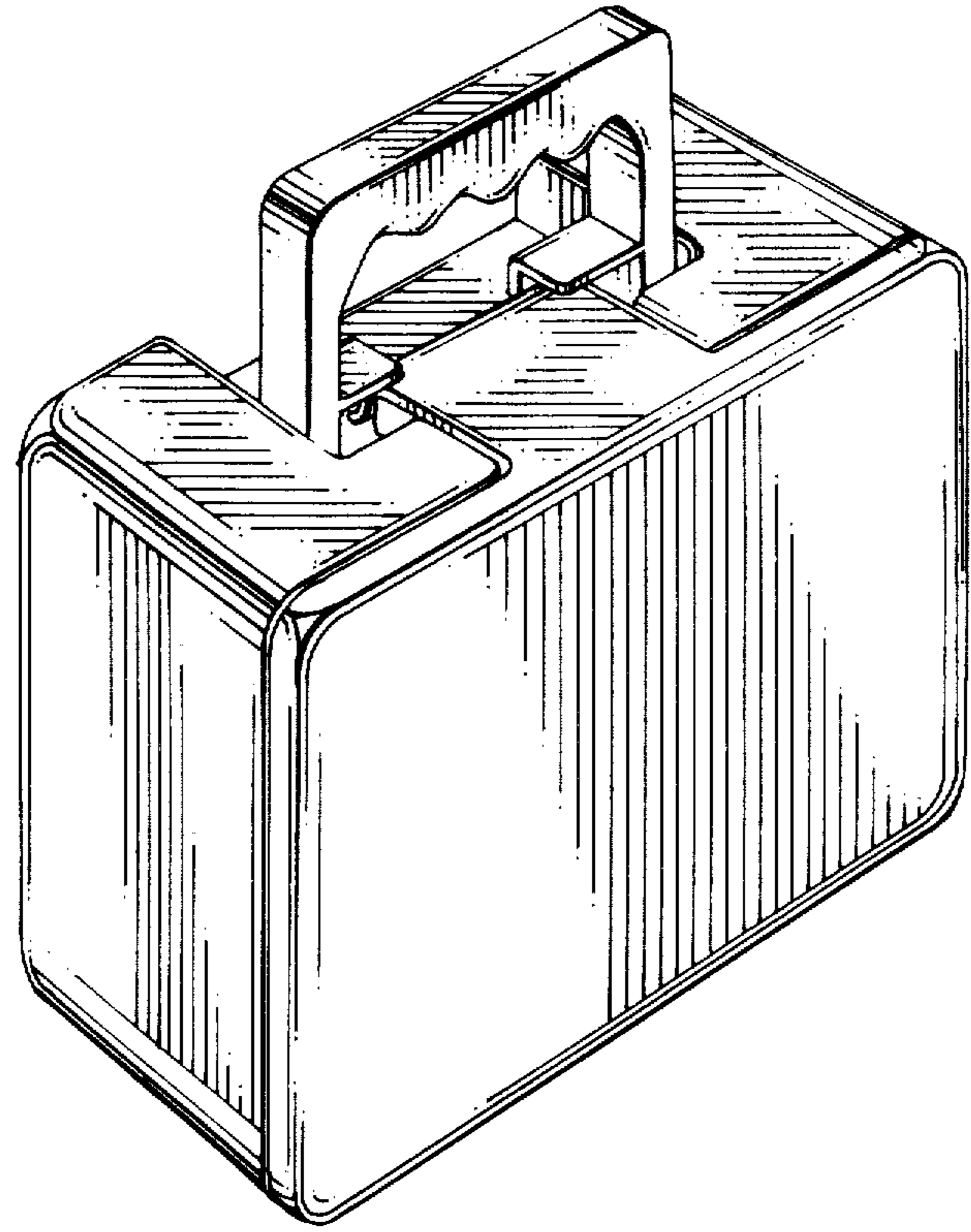


FIG. 1

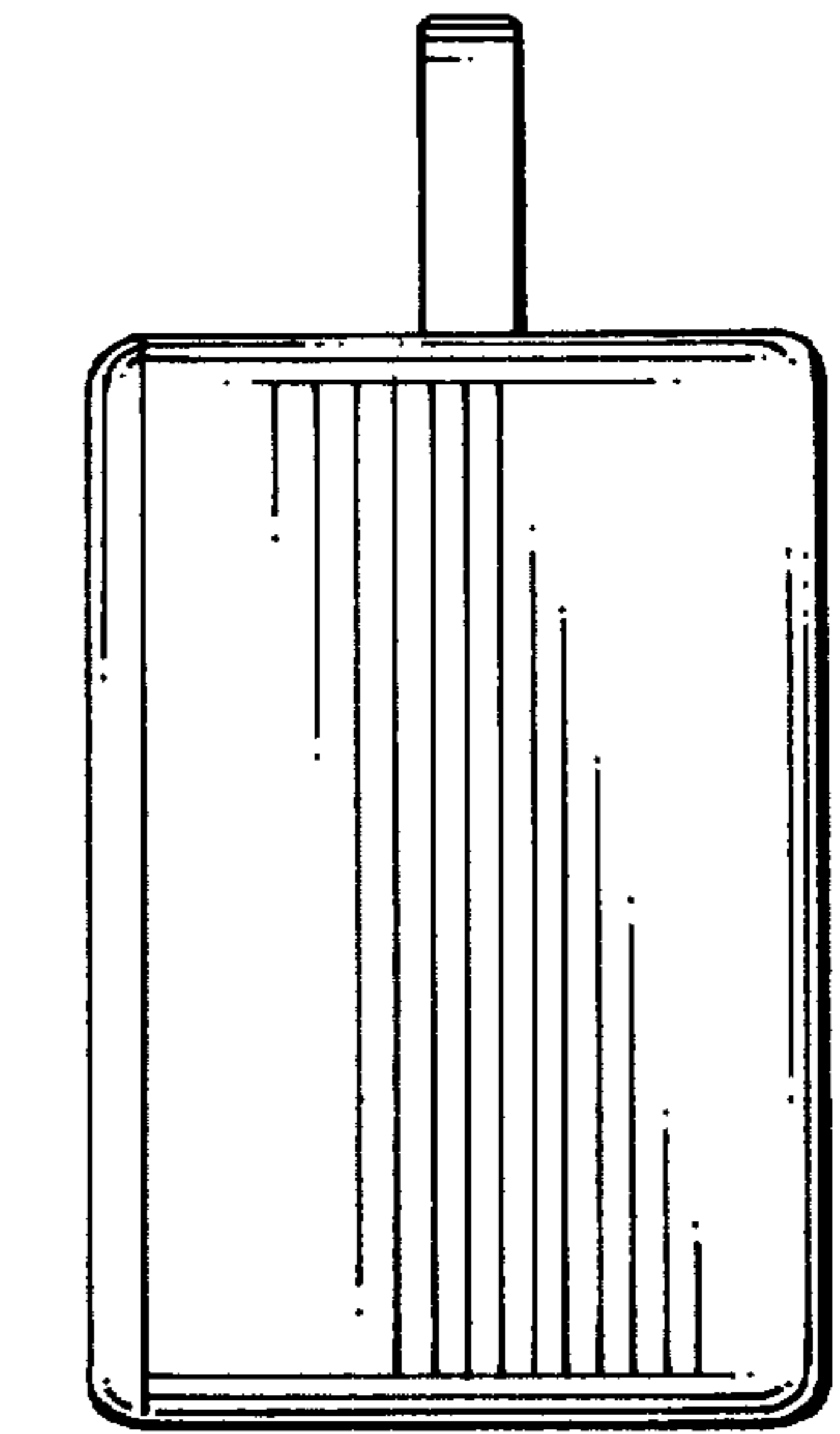
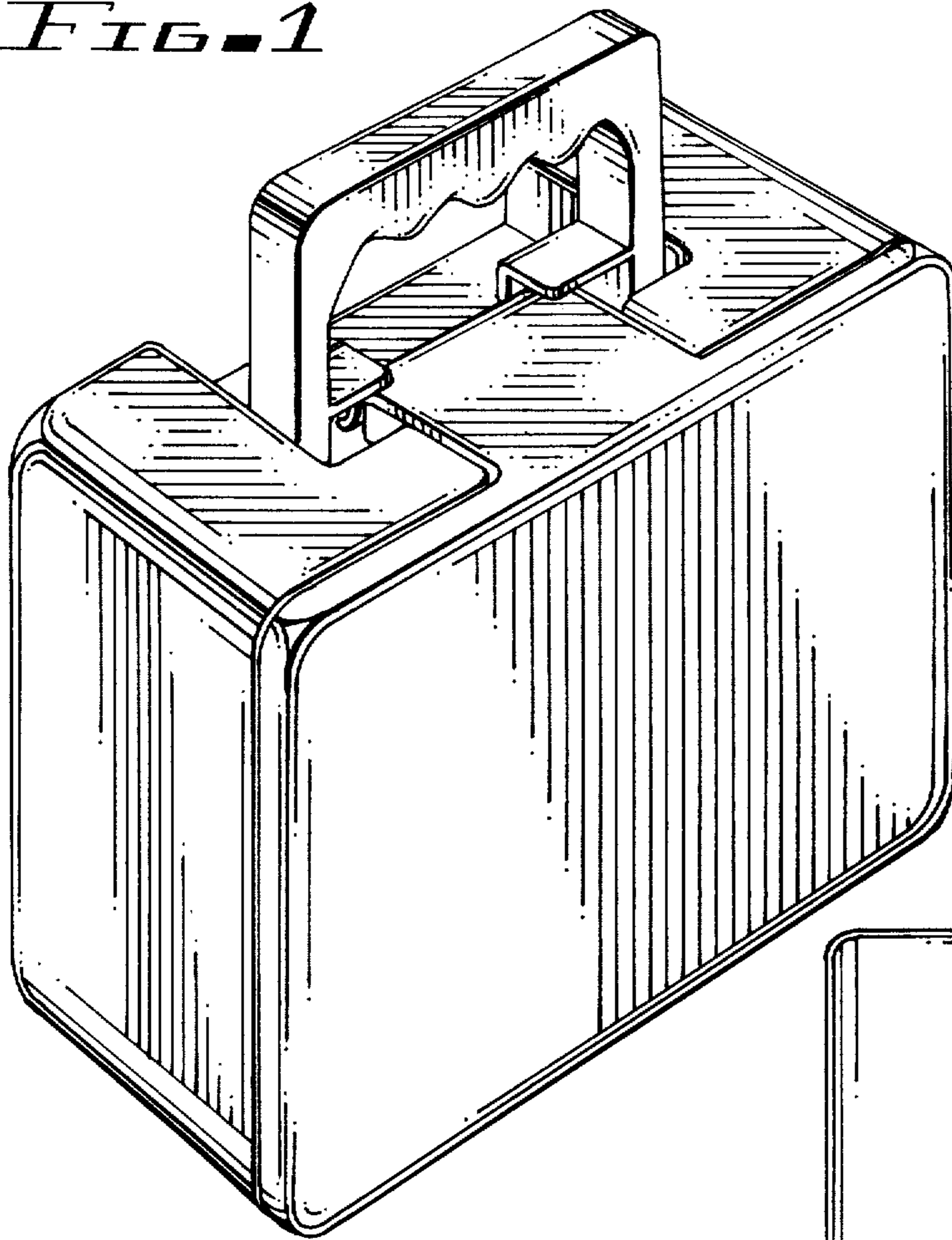


FIG. 2

FIG. 5

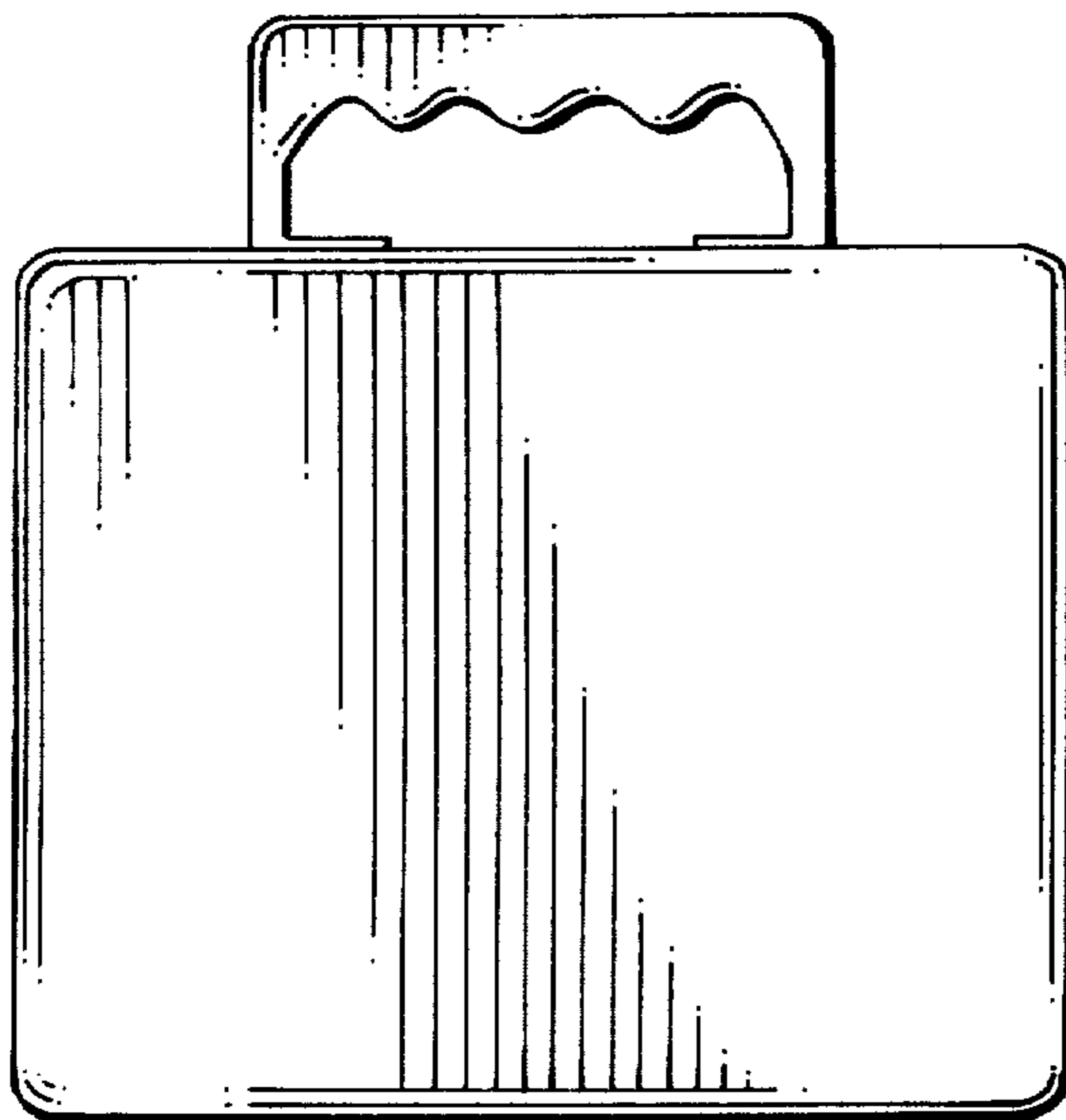
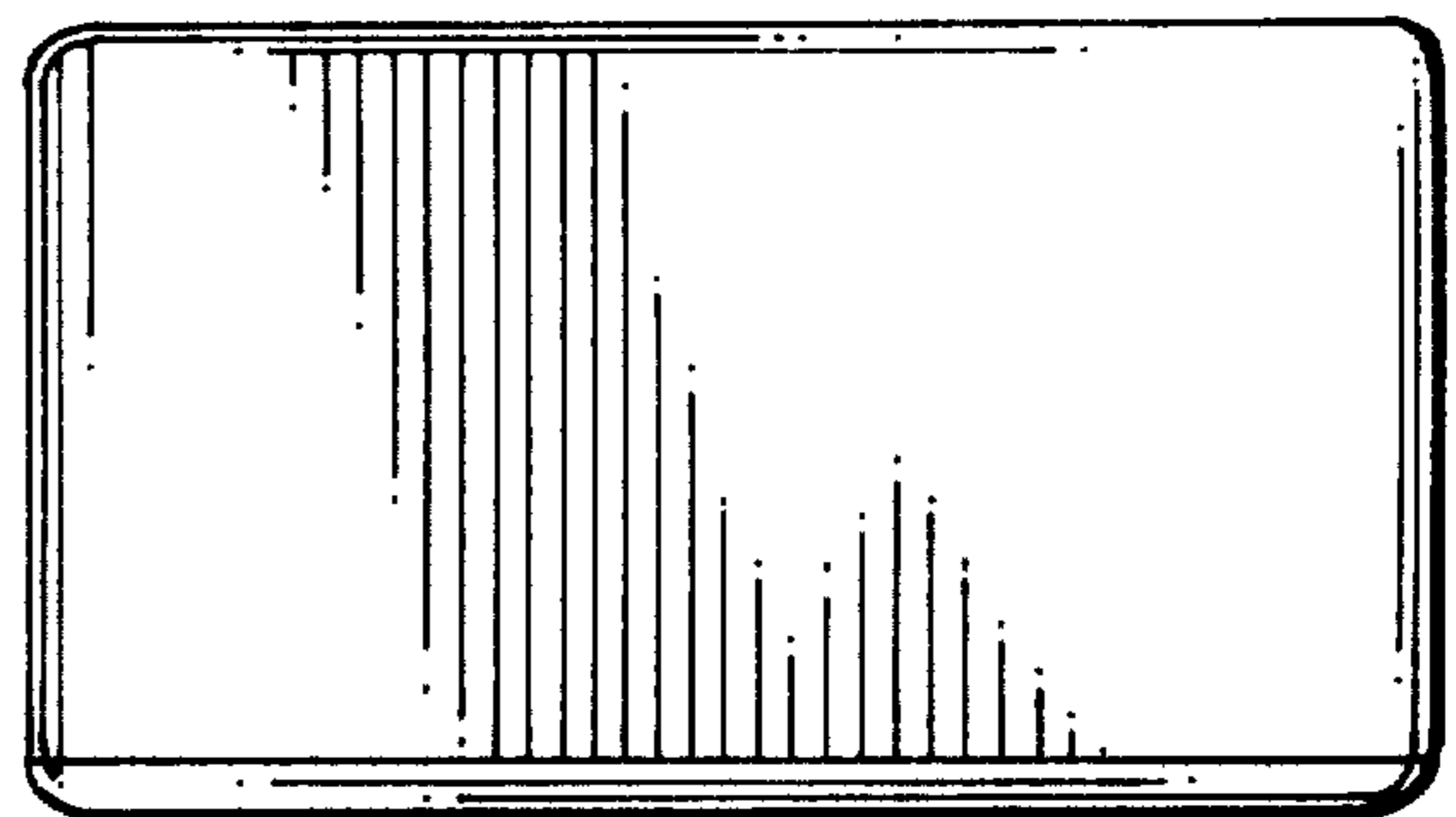


FIG. 3

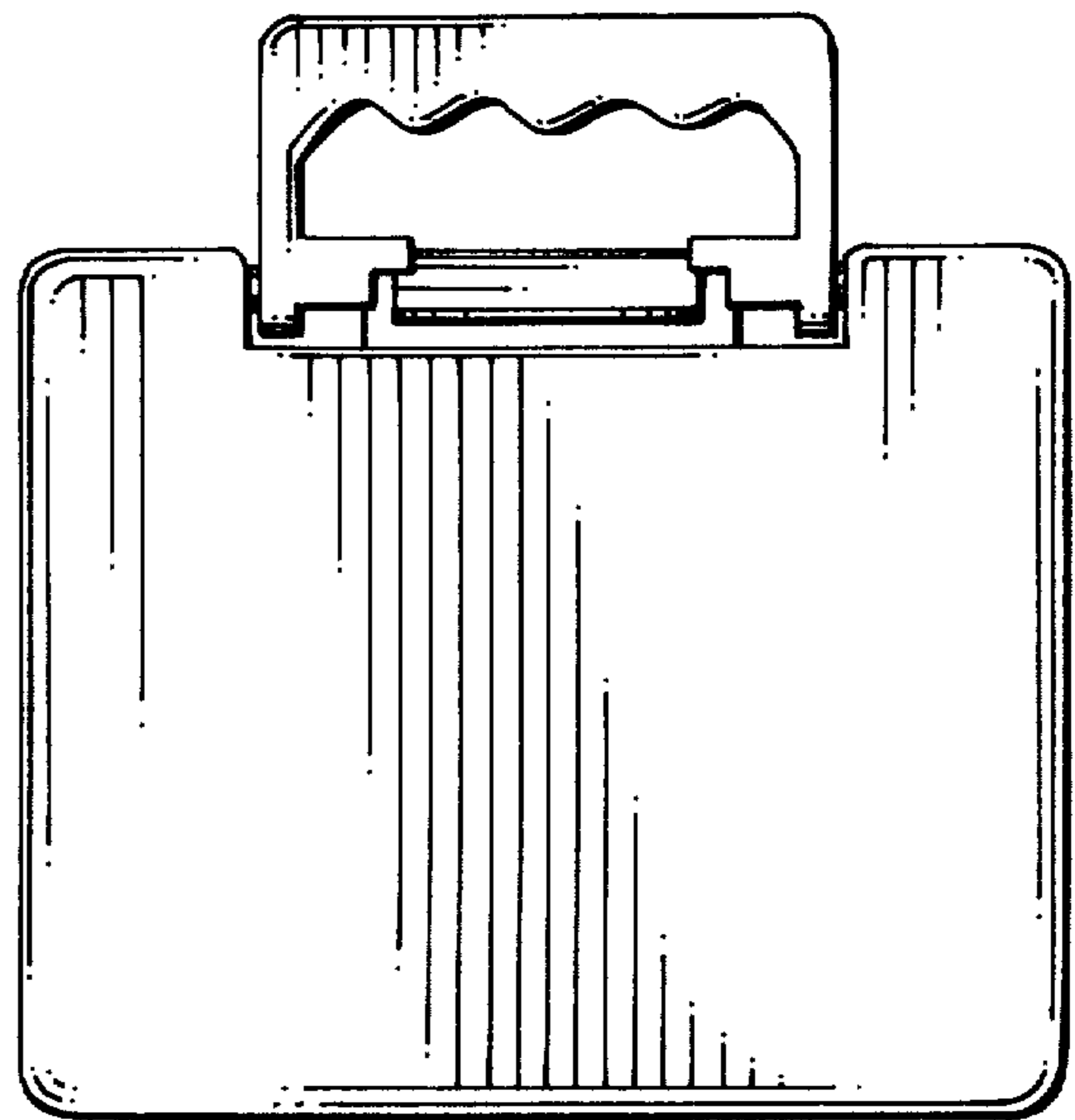


FIG. 4