

[54] TOOTH PICK DISPENSER

[76] Inventor: Jack Allen, P.O. Box 3443, Knoxville, Tenn. 37917

[\*\*] Term: 14 Years

[21] Appl. No.: 30,228

[22] Filed: Apr. 16, 1979

[51] Int. Cl. .... D7-06

[52] U.S. Cl. .... D7/75; D28/64

[58] Field of Search ..... 221/186, 268, 97, 184; D24/34; D28/64; D7/75

[56] References Cited

U.S. PATENT DOCUMENTS

D. 197,027	12/1963	Hunt	.....	D28/64 X
D. 197,579	2/1964	Vernon	.....	D28/64X
D. 201,517	6/1965	Hunt	.....	D28/64 X
D. 201,518	6/1965	Hunt	.....	D7/75
D. 230,881	3/1974	Jones	.....	D7/75
D. 254,530	3/1980	Armstrong	.....	D7/75

2,950,841	8/1960	Cornwell	.....	D7/75 X
3,938,701	2/1976	Jones	.....	221/184

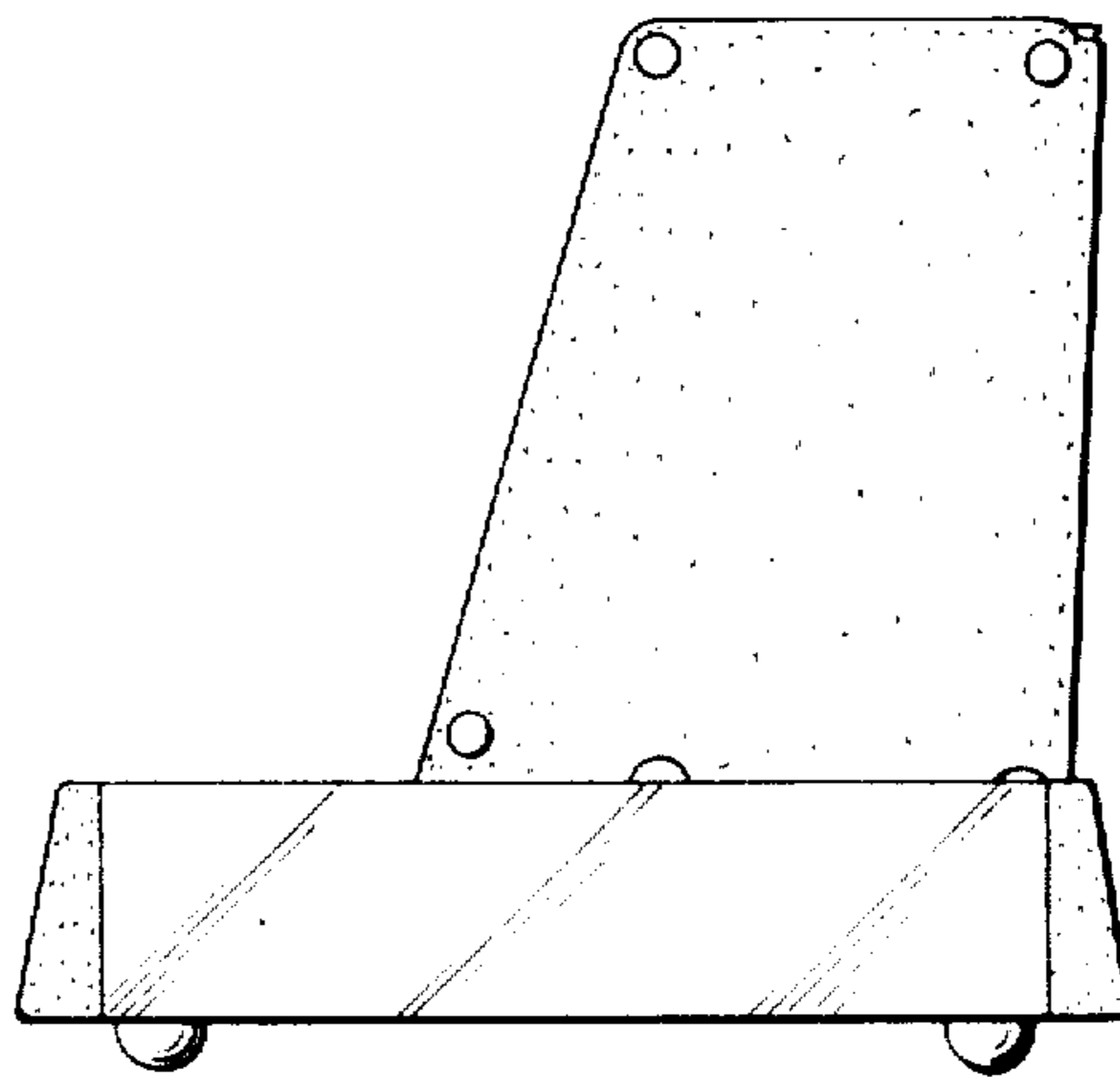
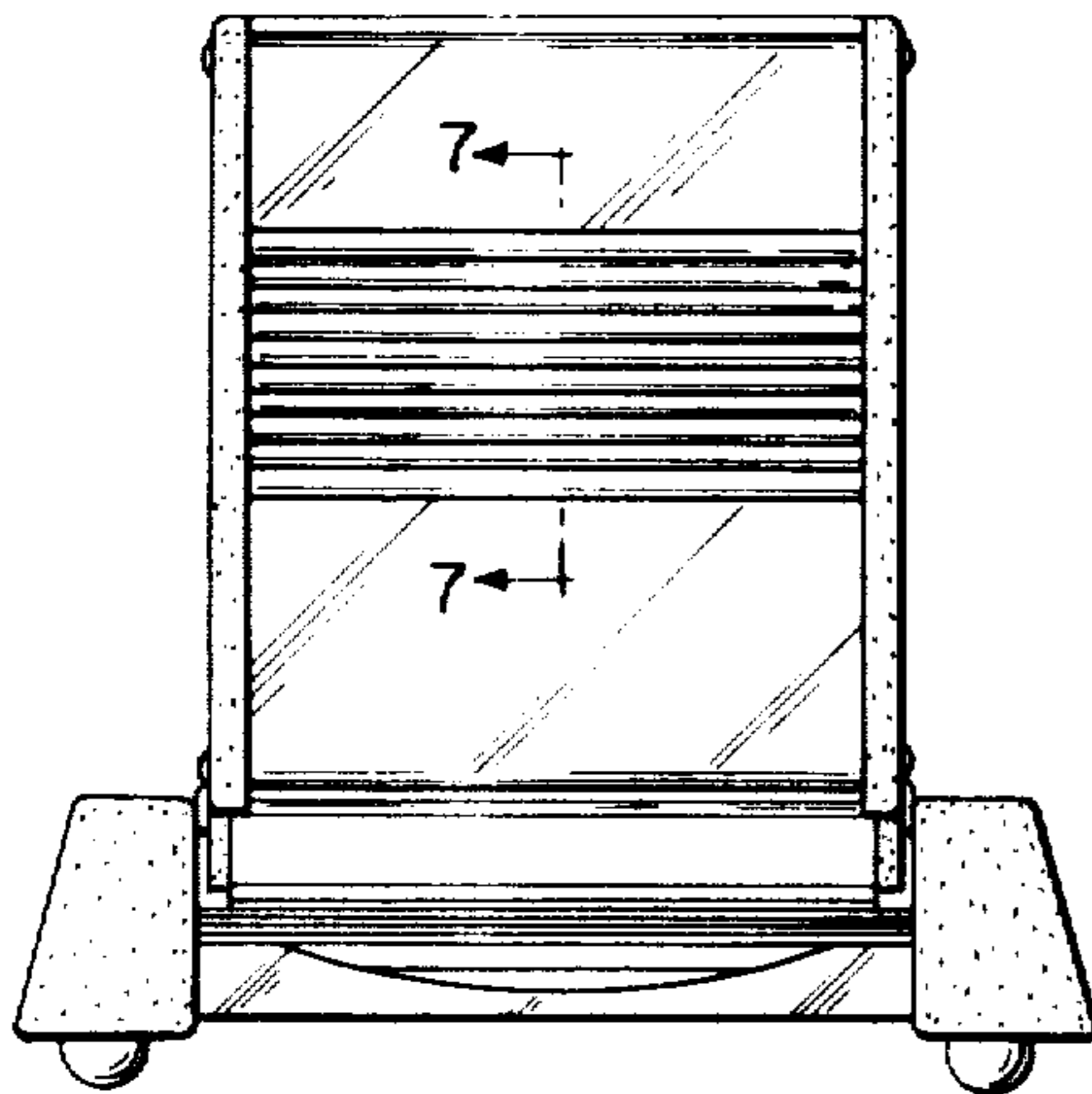
Primary Examiner—Bernard Ansher  
Attorney, Agent, or Firm—Birch, Stewart, Kolasch & Birch

[57] CLAIM

The ornamental design for a tooth pick dispenser, as shown.

DESCRIPTION

FIG. 1 is a front elevational view of a tooth pick dispenser showing my new design; FIG. 2 is a right end elevational view thereof, the left end elevational view being a mirror image thereof; FIG. 3 is a top plan view thereof; FIG. 4 is a bottom plan view thereof; FIG. 5 is a rear elevational view thereof; FIG. 6 is an enlarged cross-section taken on line 6—6 of FIG. 3; and FIG. 7 is an enlarged cross-section, taken along line 7—7 of FIG. 1.



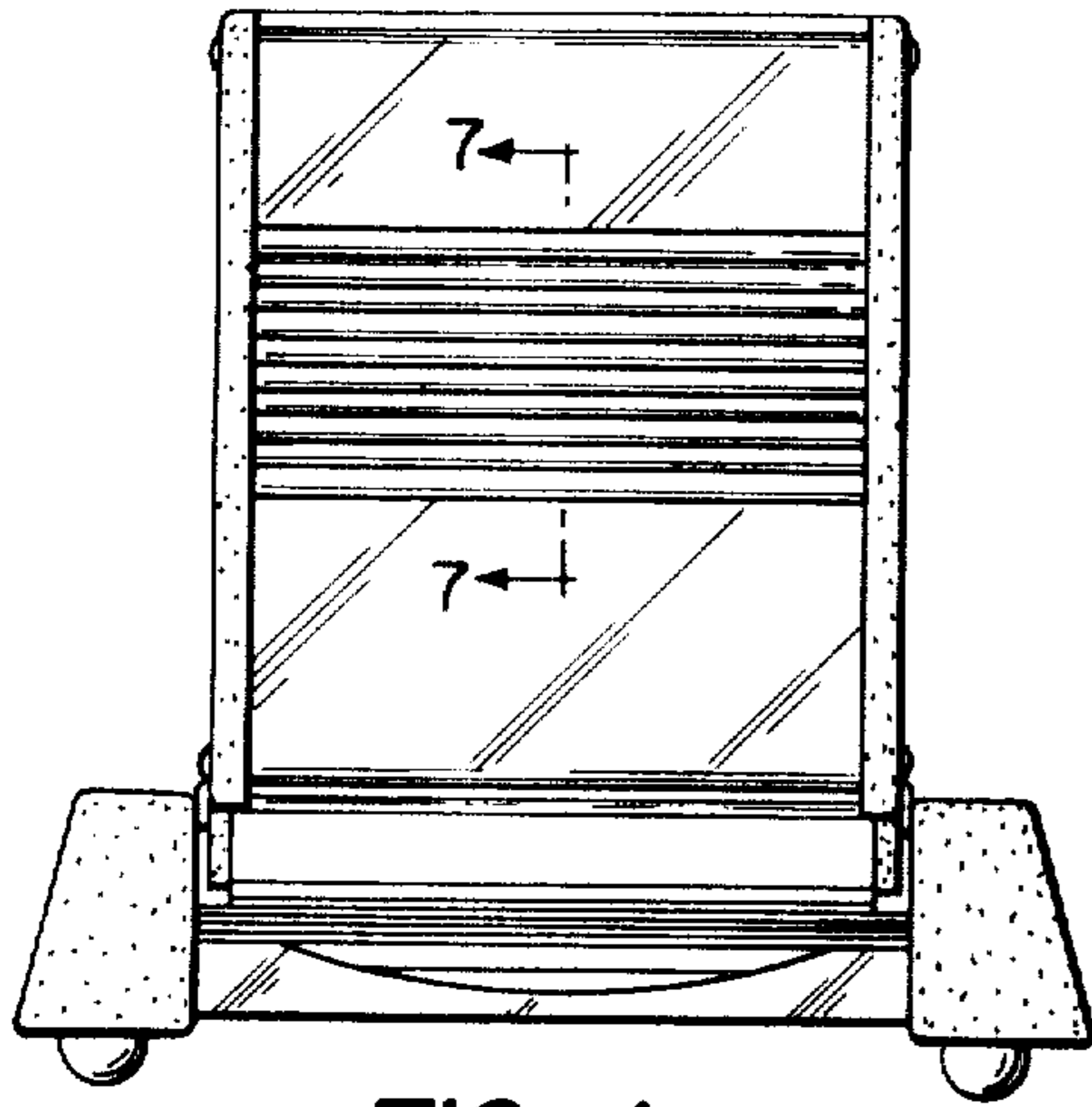


FIG. 1

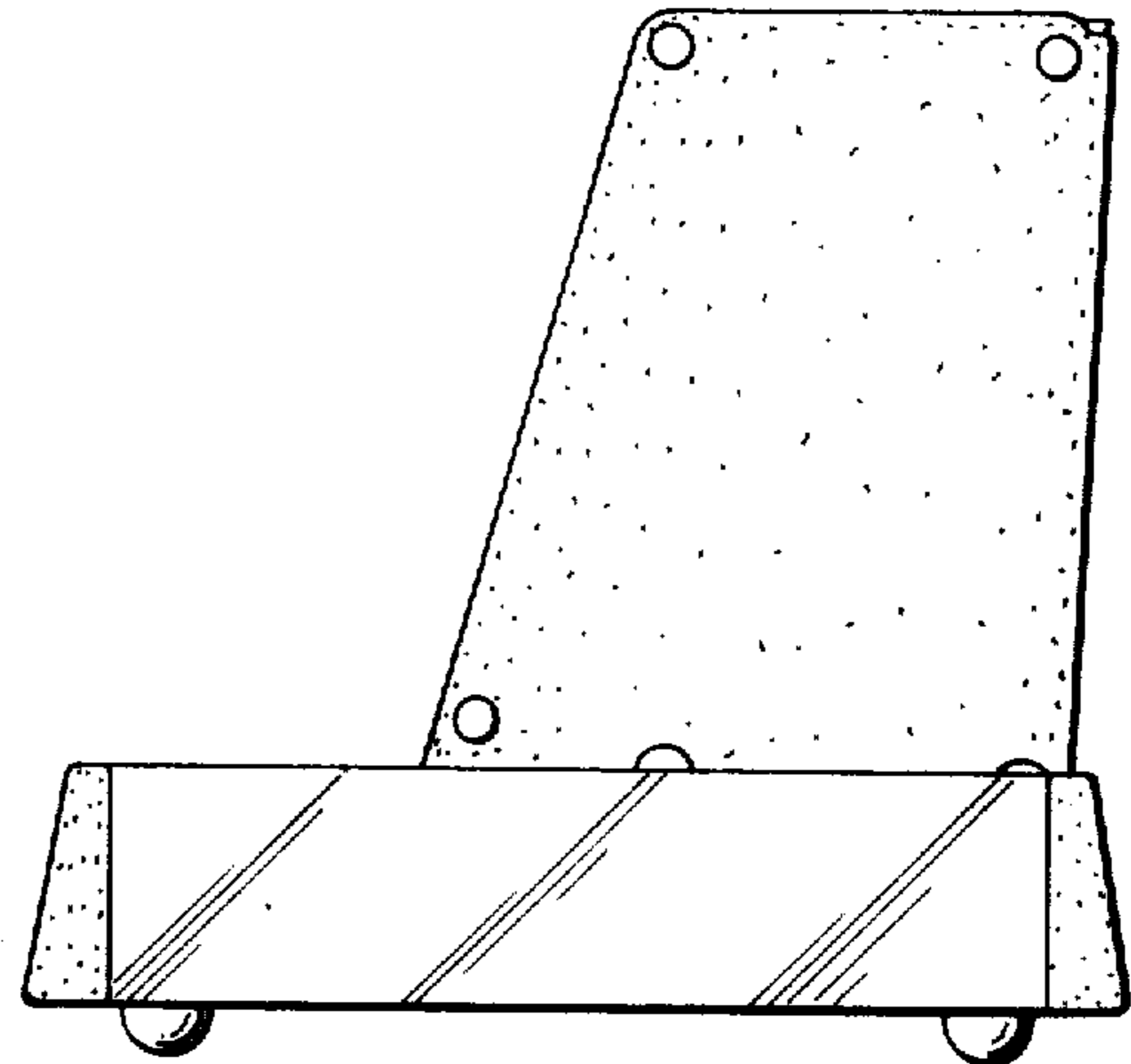


FIG. 2

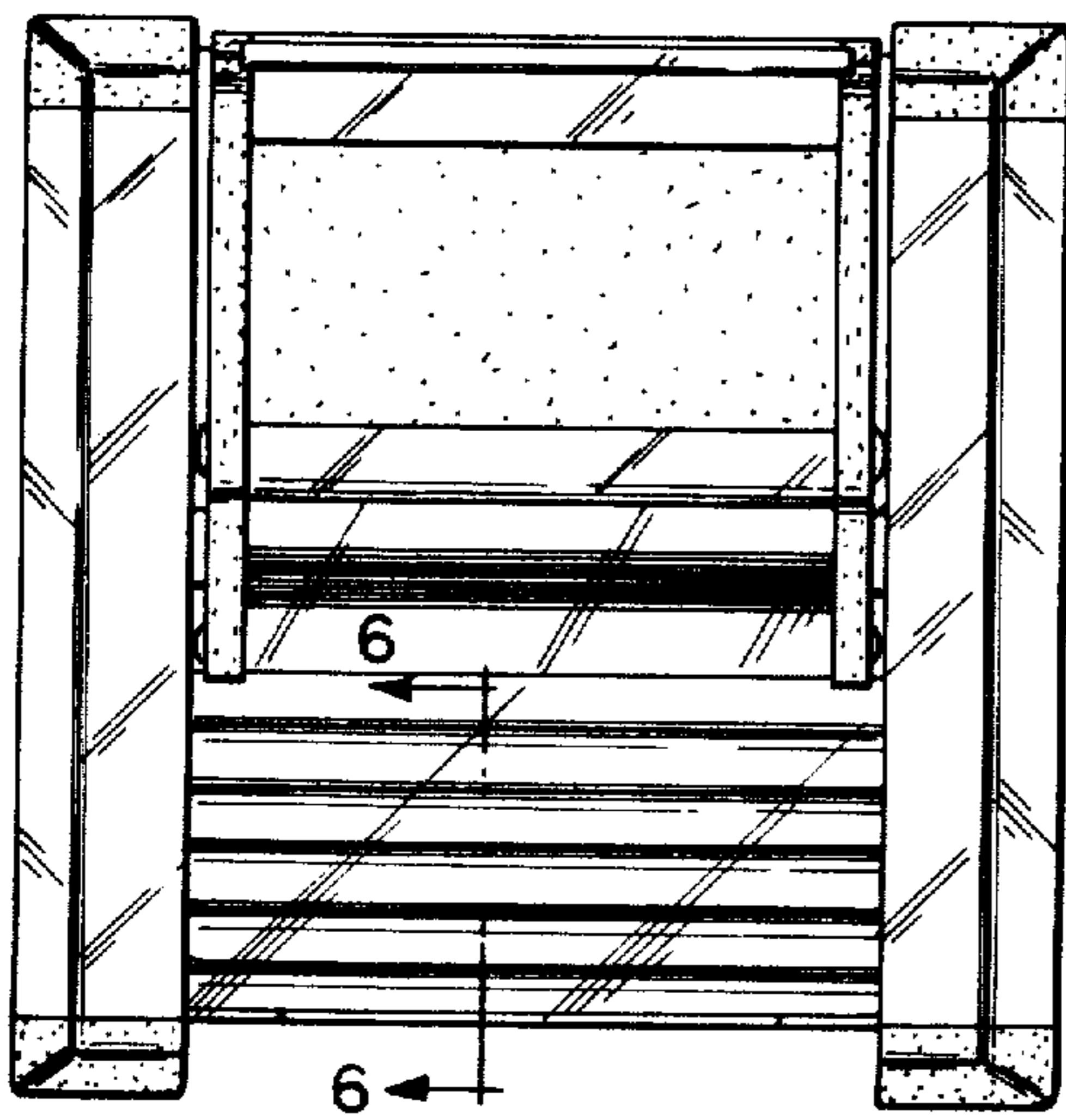


FIG. 3

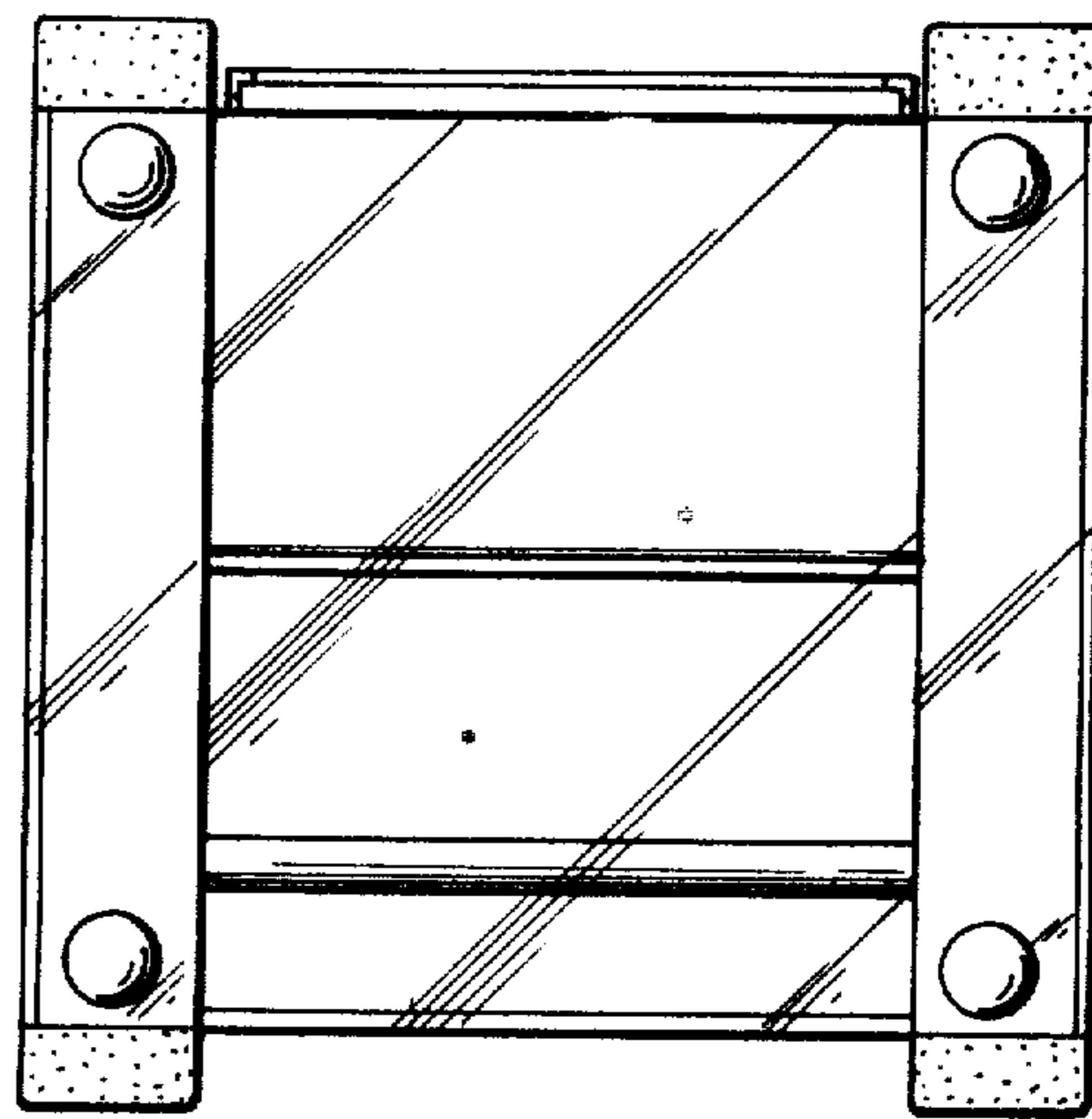
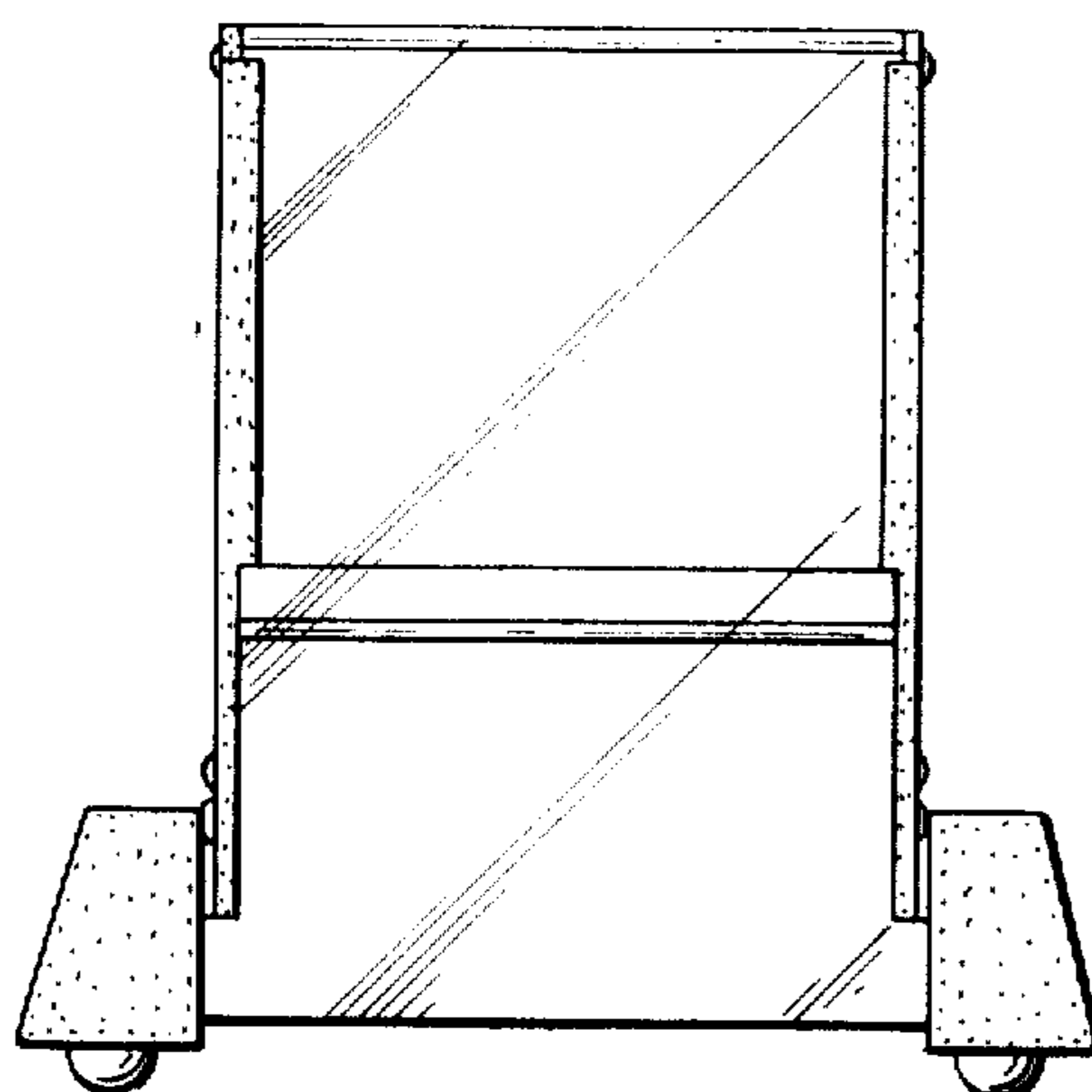
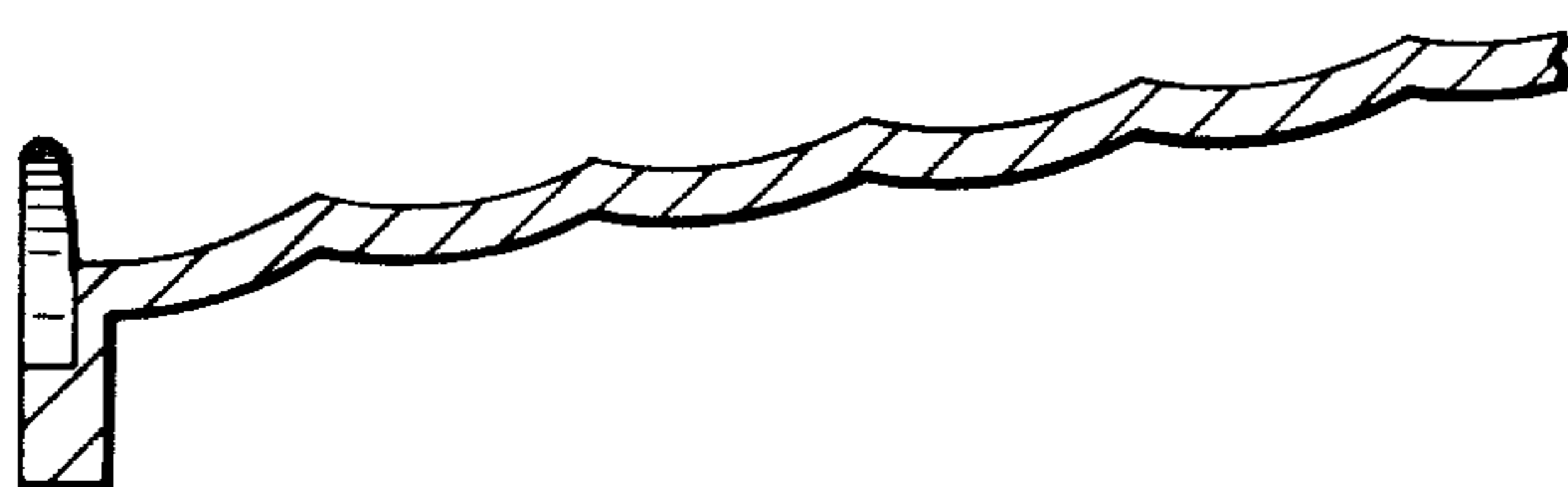


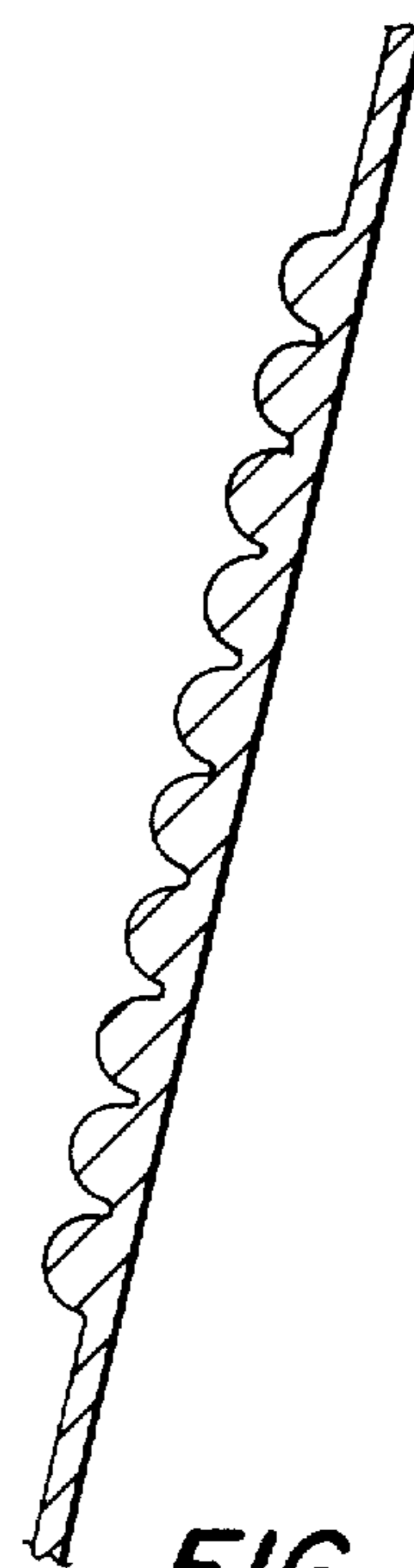
FIG. 4



*FIG. 5*



*FIG. 6*



*FIG. 7*