

[54] **SPOTLIGHT FITTING**

[75] Inventors: **Robert Heritage; Stephen Hall**, both of London, England

[73] Assignee: **Rotaflex (Great Britain) Limited**, London, England

[**] Term: **14 Years**

[21] Appl. No.: **48,676**

[22] Filed: **Jun. 14, 1979**

[30] **Foreign Application Priority Data**

Jan. 25, 1979 [GB] United Kingdom 988247/79

[51] Int. Cl. **D26—05**

[52] U.S. Cl. **D26/63; D26/131**

[58] Field of Search **D26/24, 60, 61, 63, D26/64, 65, 66, 72, 74, 80, 118, 120, 122, 128, 130, 135, 137, 67, 131; 362/269, 270, 277, 278, 282, 287, 296, 297, 311, 329, 330, 331, 332, 339, 341, 342, 347, 350, 418, 420, 427**

[56] **References Cited**

U.S. PATENT DOCUMENTS

D. 231,559 4/1974 Darling et al. D26/63

FOREIGN PATENT DOCUMENTS

726012 2/1932 France 362/269

OTHER PUBLICATIONS

Design, 12-1957, p. 33, Hanging Lamp Reflector (third from top).

Standky Systems Inc., Short Form Catalog, 1975, p. 4, Model RVT Vapor-Proof Remote Lighting Fixture.

Primary Examiner—Susan J. Lucas

Attorney, Agent, or Firm—Arthur B. Colvin

[57] **CLAIM**

The ornamental design for a spotlight fitting, as shown.

DESCRIPTION

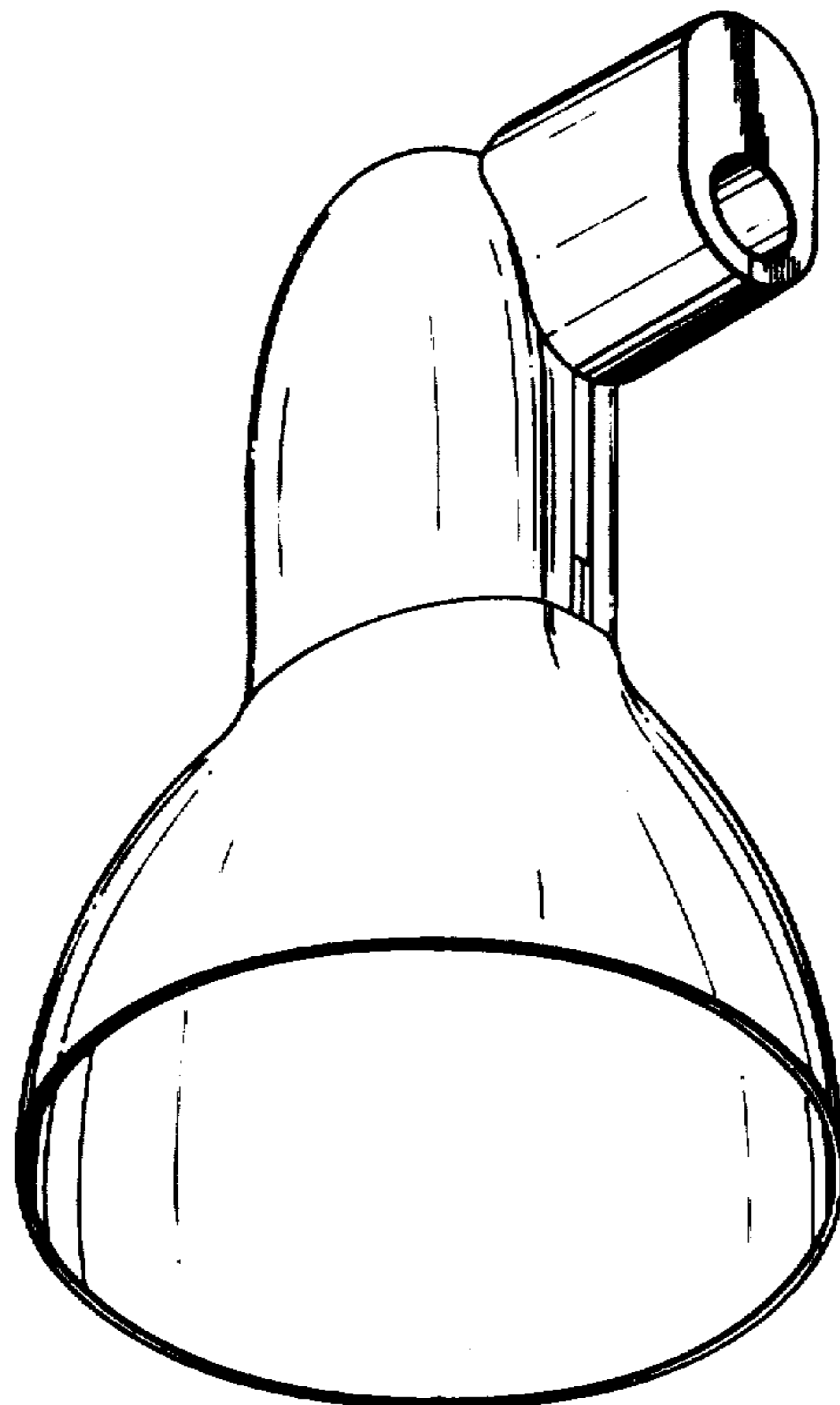
FIG. 1 is a perspective view of a spotlight fitting showing our new design;

FIG. 2 is a side elevational view thereof;

FIG. 3 is an end elevational view thereof;

FIG. 4 is a top plan view thereof; and

FIG. 5 is a elevational view of the end opposite that shown in FIG. 3.



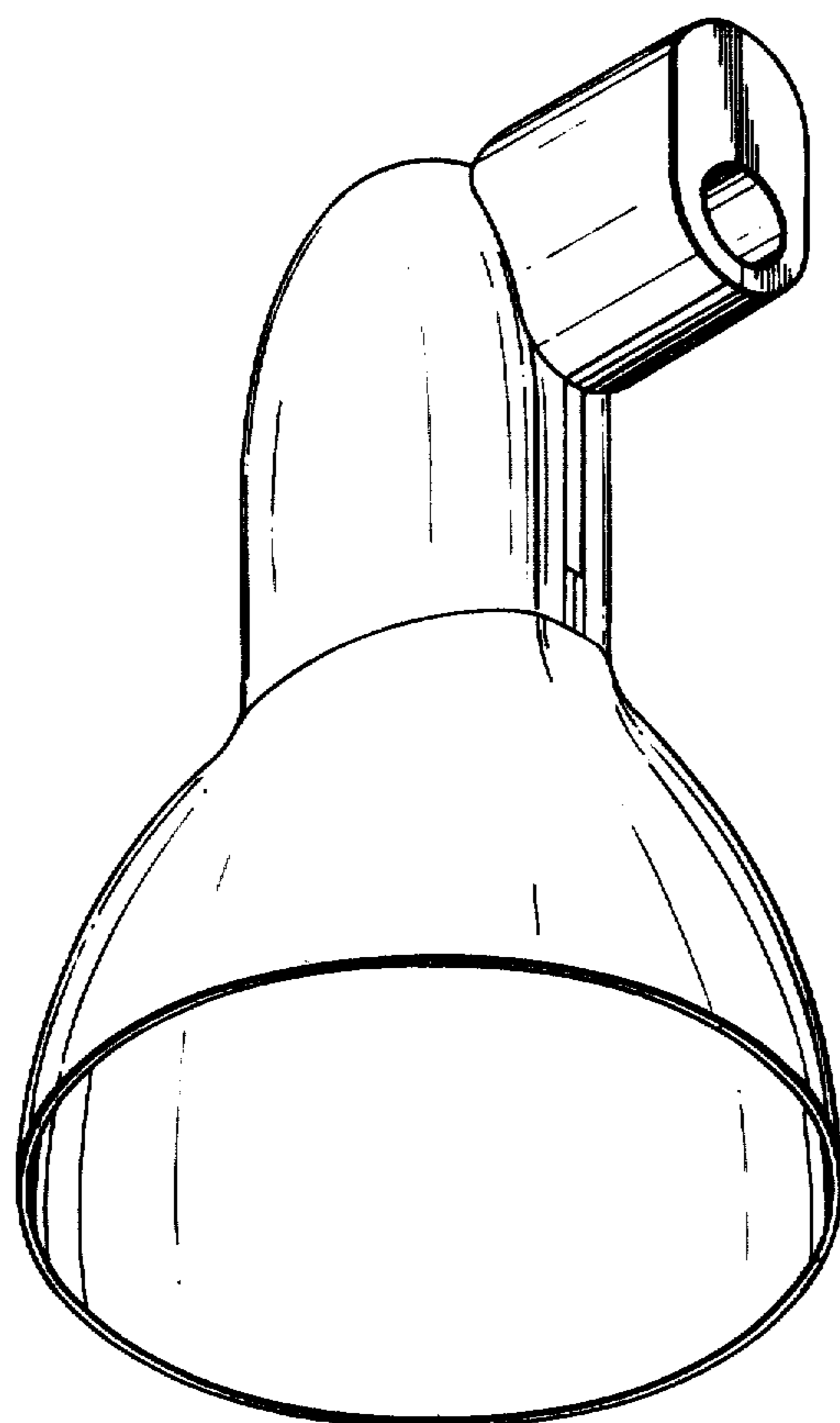


FIG. 1.

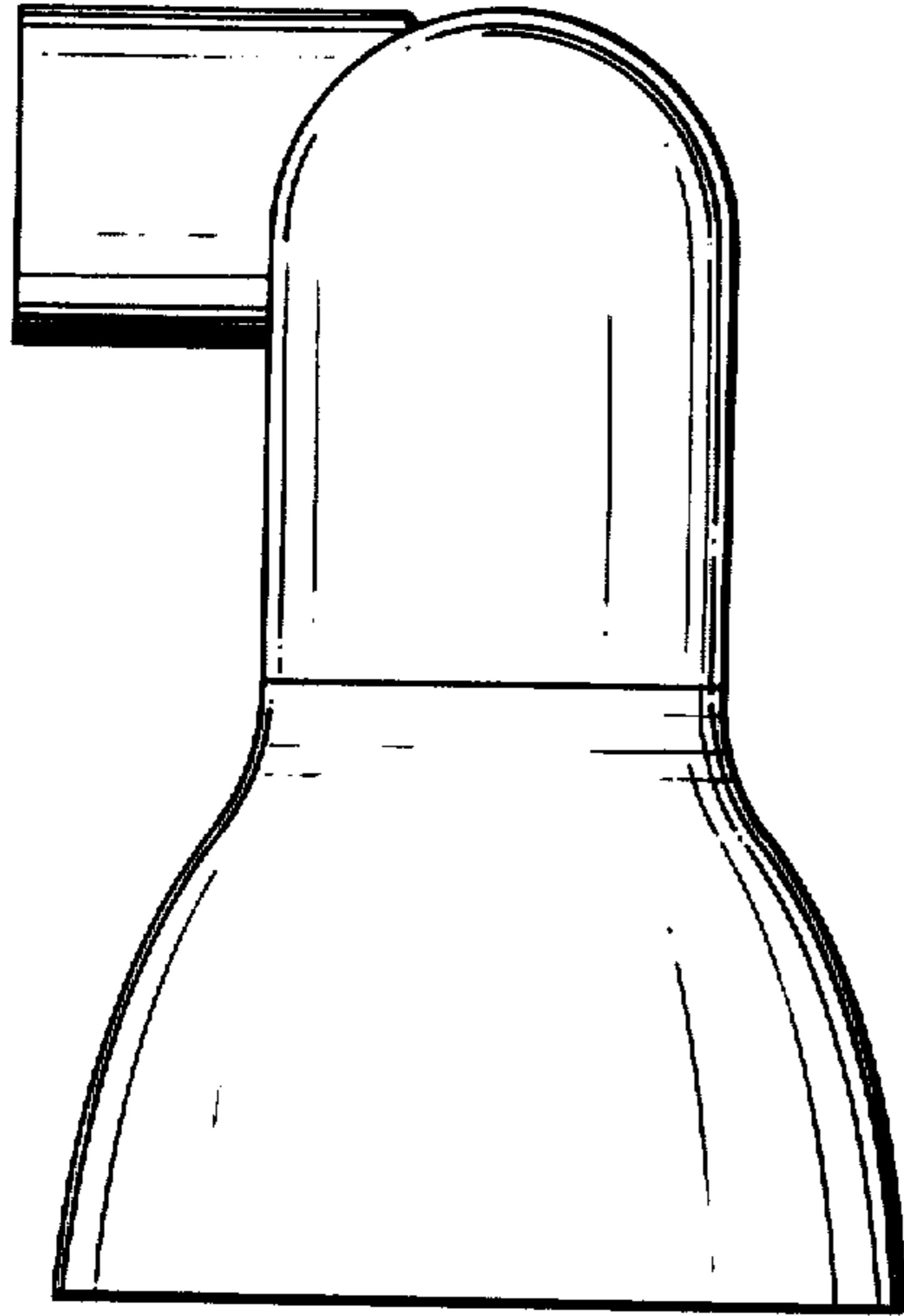


FIG. 2.

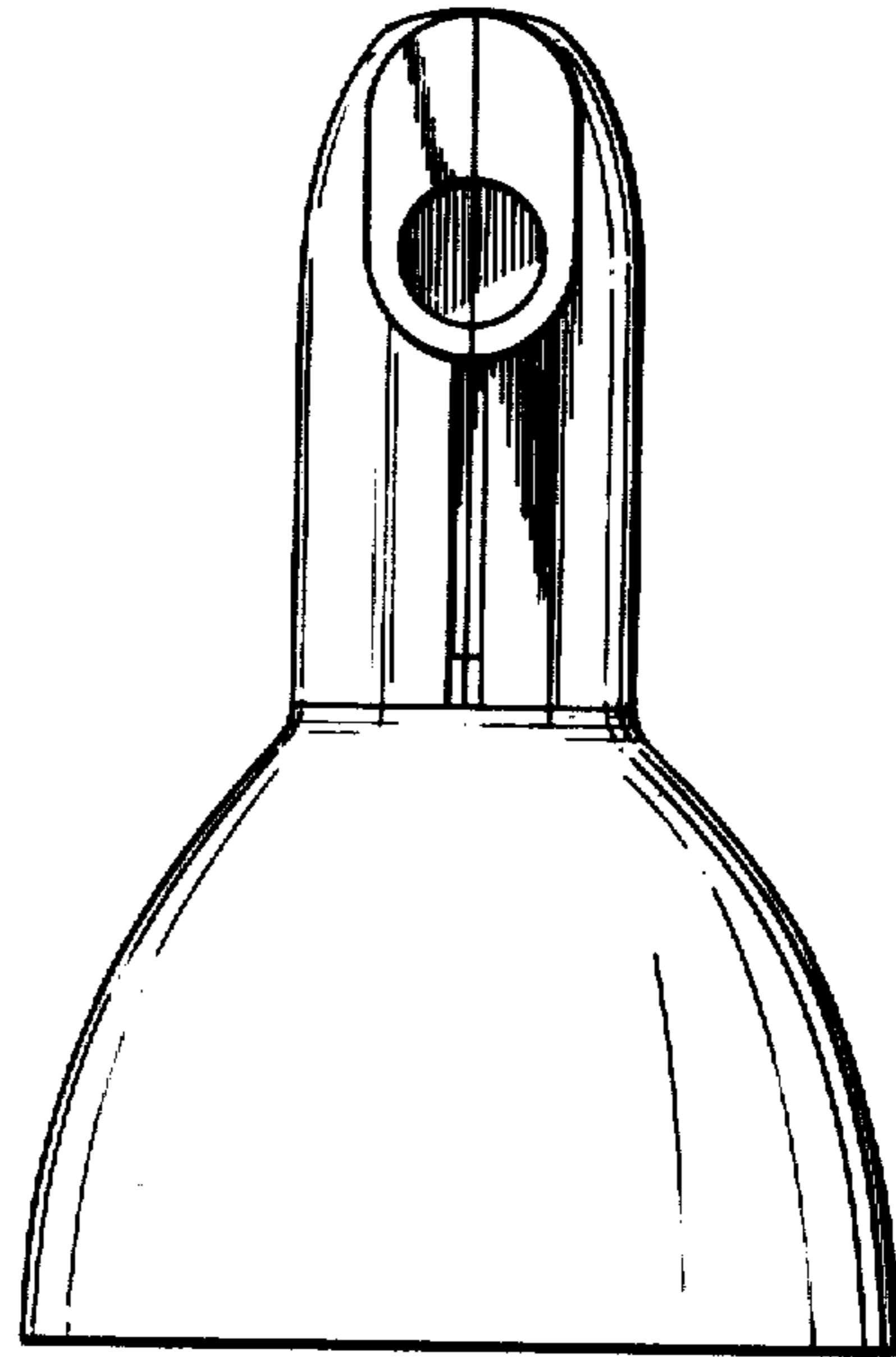


FIG. 3.

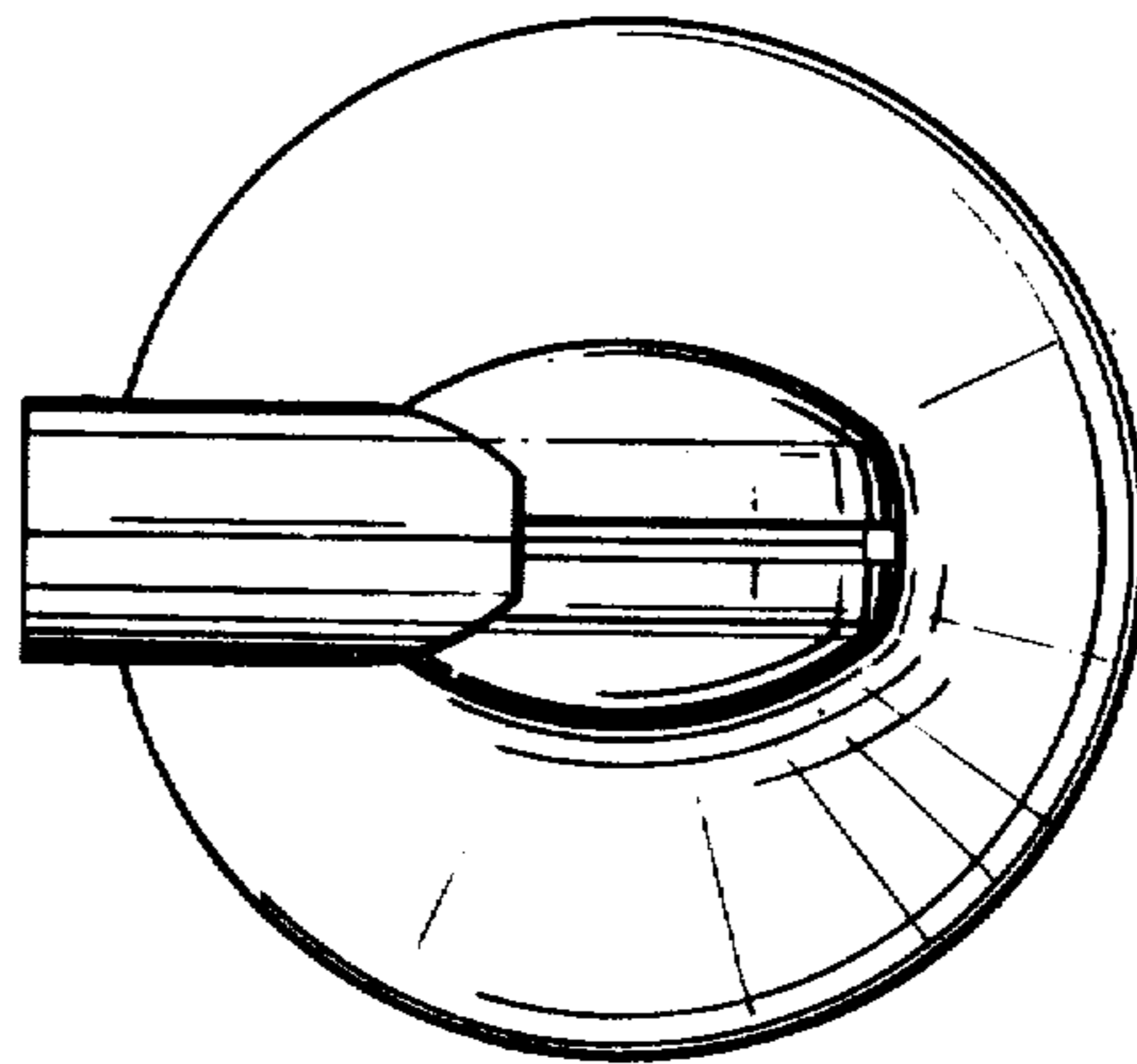


FIG. 4.

FIG. 5

