

[54] SURGICAL SPONGE COUNT RECEPTACLE OR SIMILAR ARTICLE

2,318,149 5/1943 Ferman 131/235 R
3,765,564 10/1973 Persson 220/90
4,013,109 3/1977 Sandel 206/63.3 X
4,151,913 5/1979 Freitag 206/63.3 X

[75] Inventor: Carl H. Rickmeir, Sheboygan Falls, Wis.

OTHER PUBLICATIONS

[73] Assignee: Bemis Manufacturing Company, Sheboygan Falls, Wis.

Phil-Mar Ceramic Ashtray Brochure, Aug. 1960, p. 37, Ashtray No. 2313 "Roundup".
Medical Dynamics, Jan. 1979, "Rose Ring", Publication.

[**] Term: 14 Years

Primary Examiner—Bernard Ansher
Attorney, Agent, or Firm—Fred Philpitt

[21] Appl. No.: 154,561

[22] Filed: May 29, 1980

[51] Int. Cl. D24—02

[52] U.S. Cl. D24/56; D24/99; D27/8

[58] Field of Search D27/8; D24/99, 56, 31; 220/90; 206/209, 210, 363, 564, 63.3, 450, 459, 828, 439, 430; 15/244 R; 128/272, 275; 131/235 R, 238

CLAIM

[57] The ornamental design for a surgical sponge count receptacle or similar article, as shown and described.

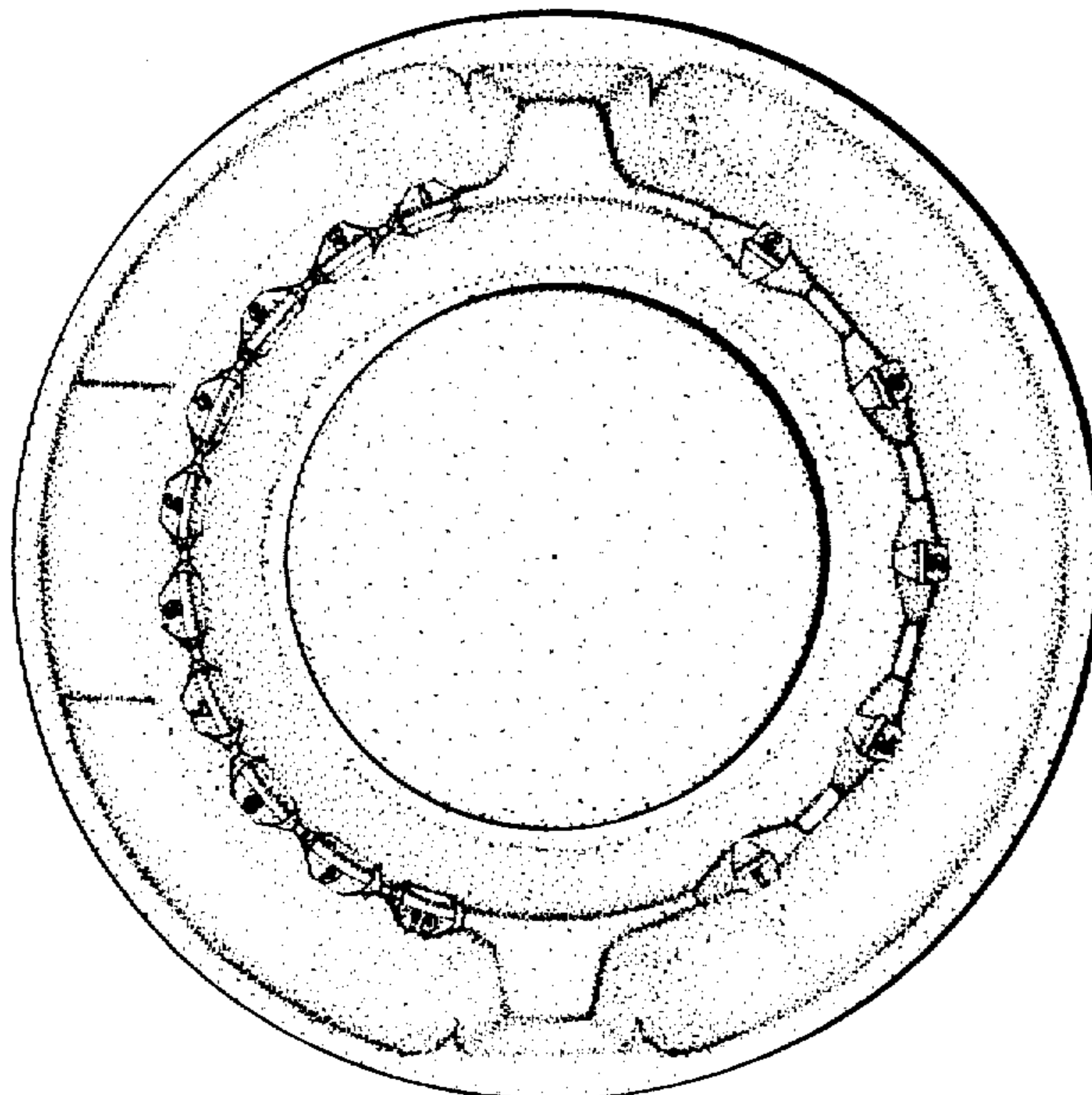
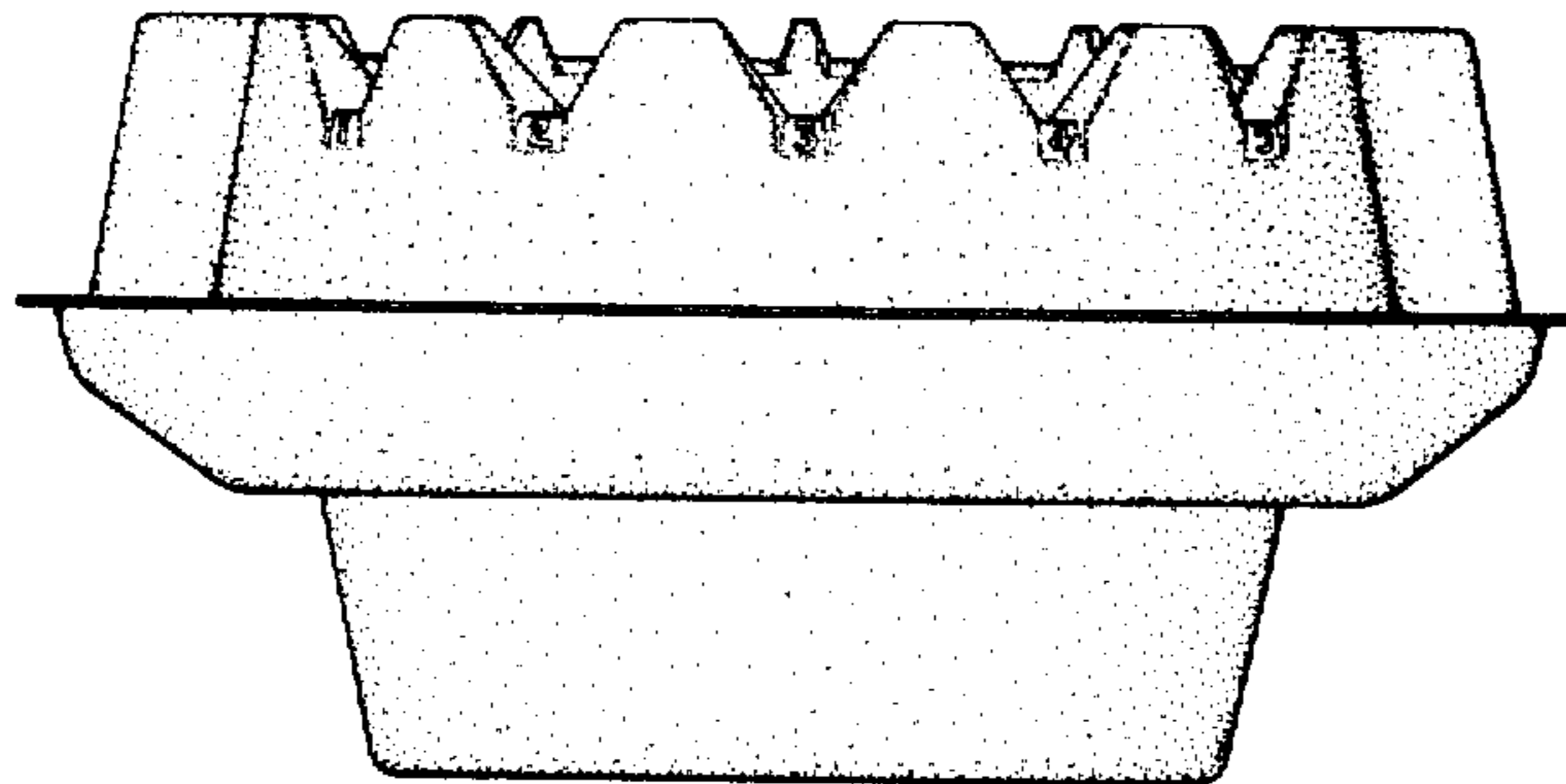
DESCRIPTION

FIG. 1 is a front elevation of a surgical sponge count receptacle or similar article, showing my new design; FIG. 2 is a top plan view thereof; FIG. 3 is a rear elevation thereof; FIG. 4 is a bottom plan view thereof; FIG. 5 is a right side elevation thereof; and FIG. 6 is a left side elevation thereof.

[56] References Cited

U.S. PATENT DOCUMENTS

D. 164,090 7/1951 Barcott D27/8 X



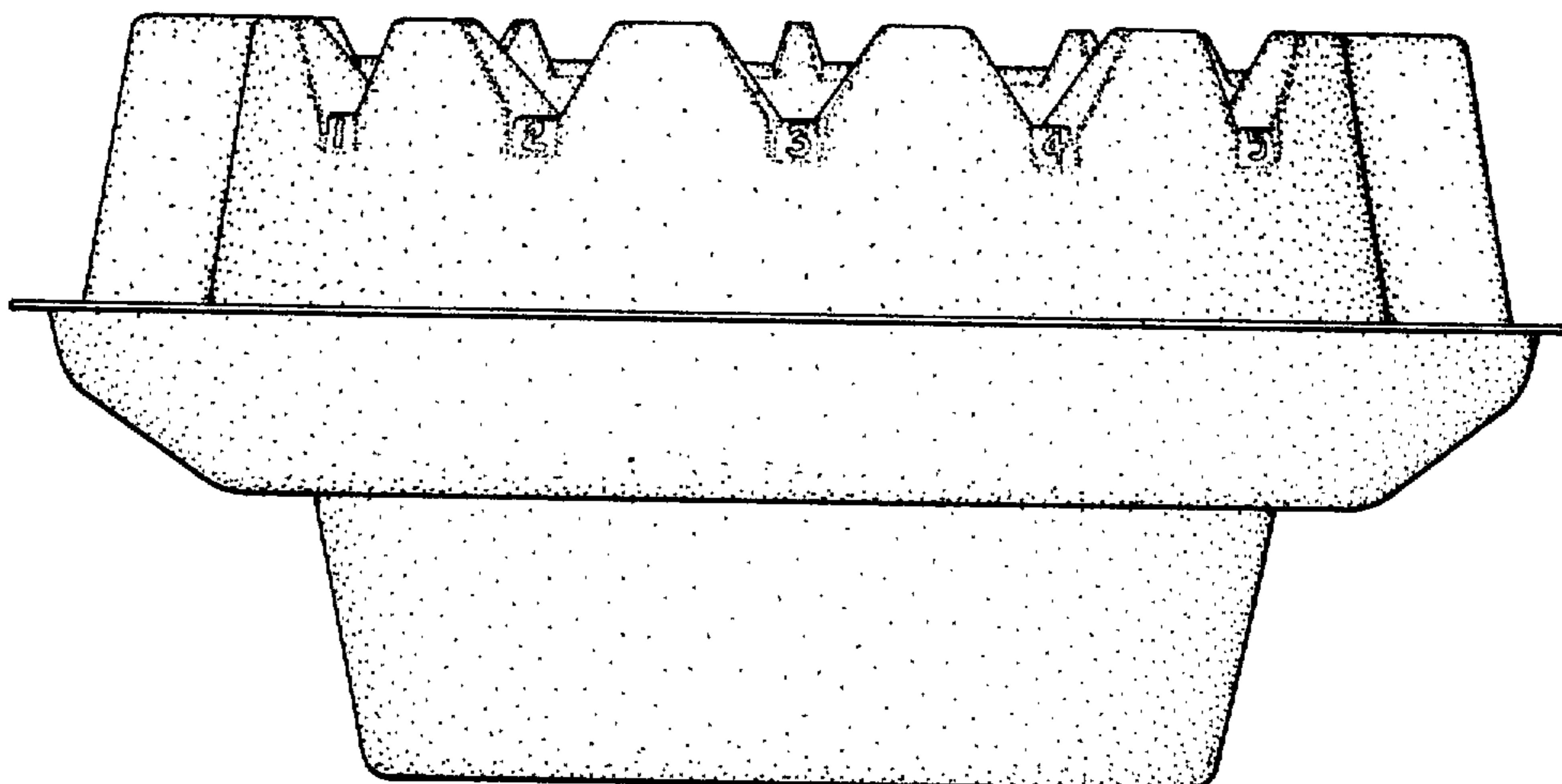


FIG. 1

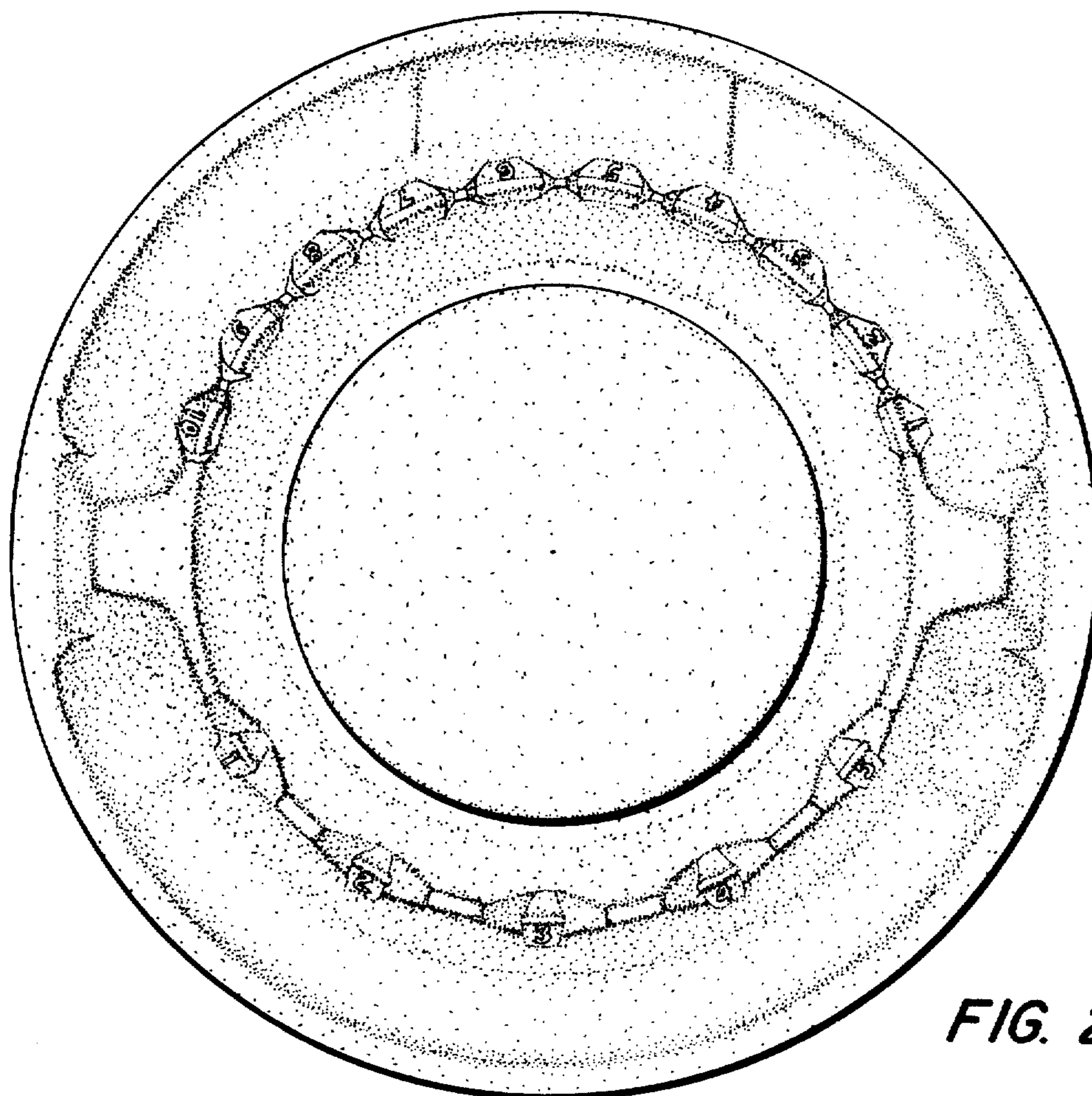


FIG. 2

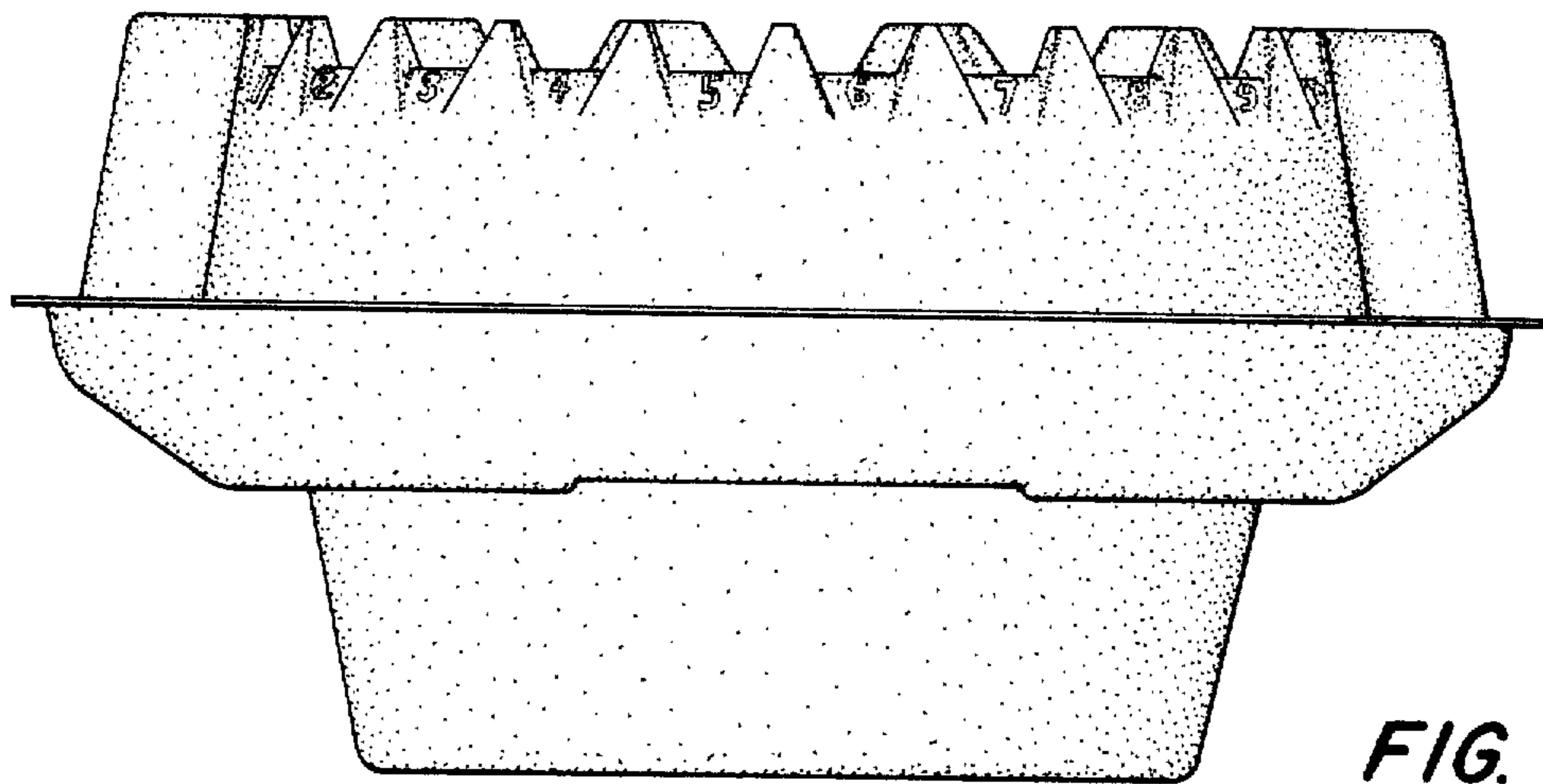


FIG. 3

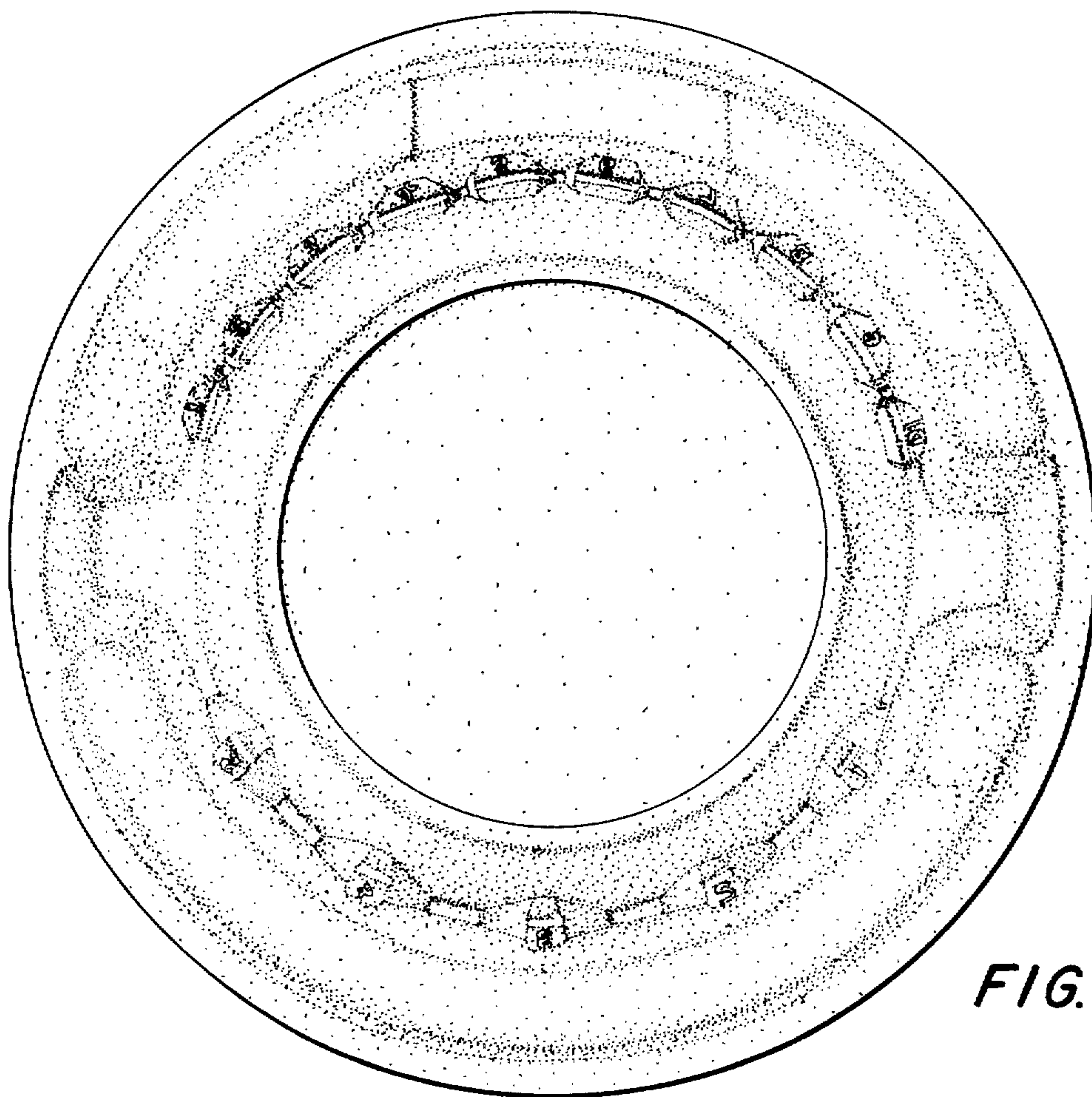


FIG. 4

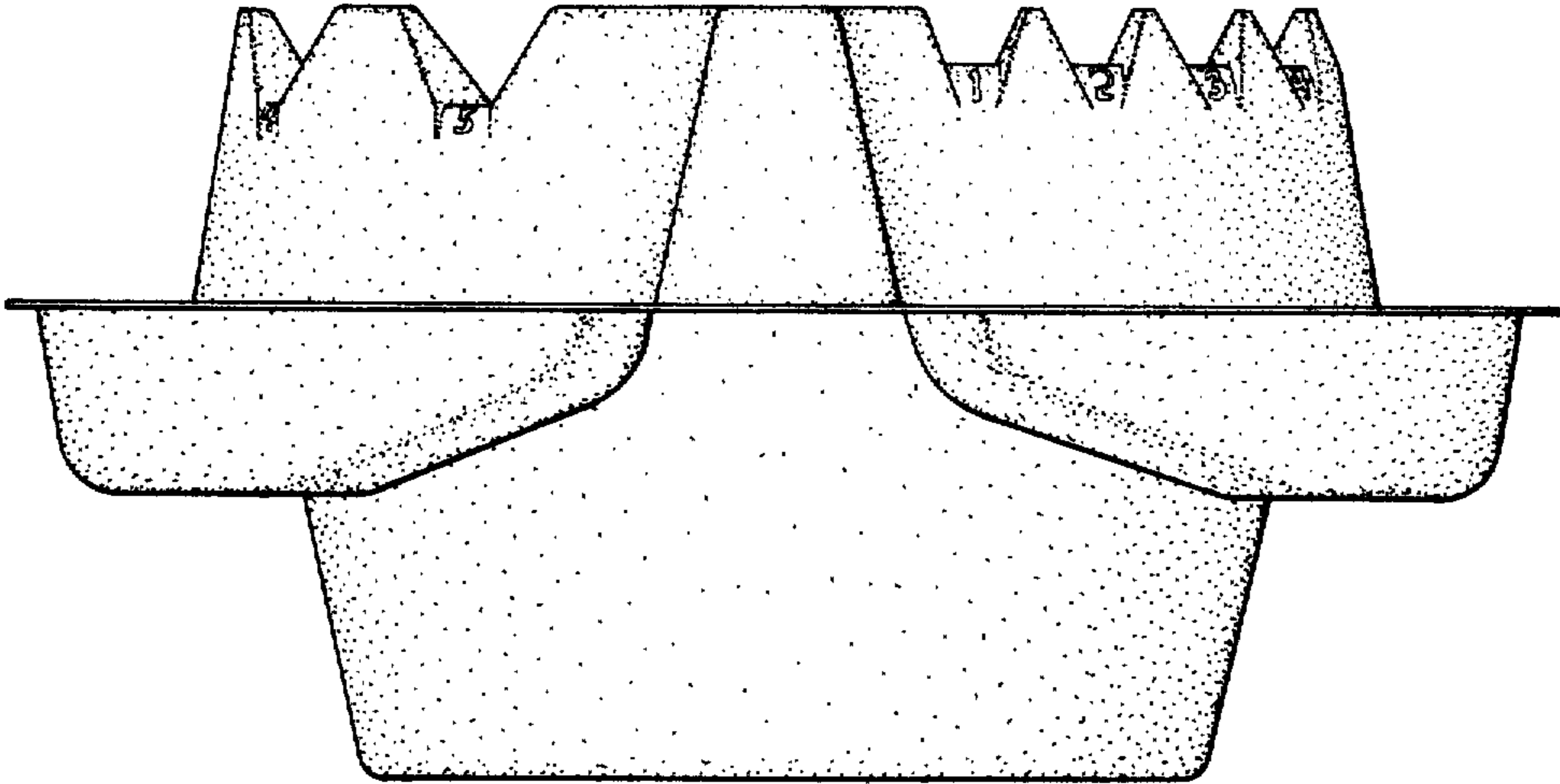


FIG. 5

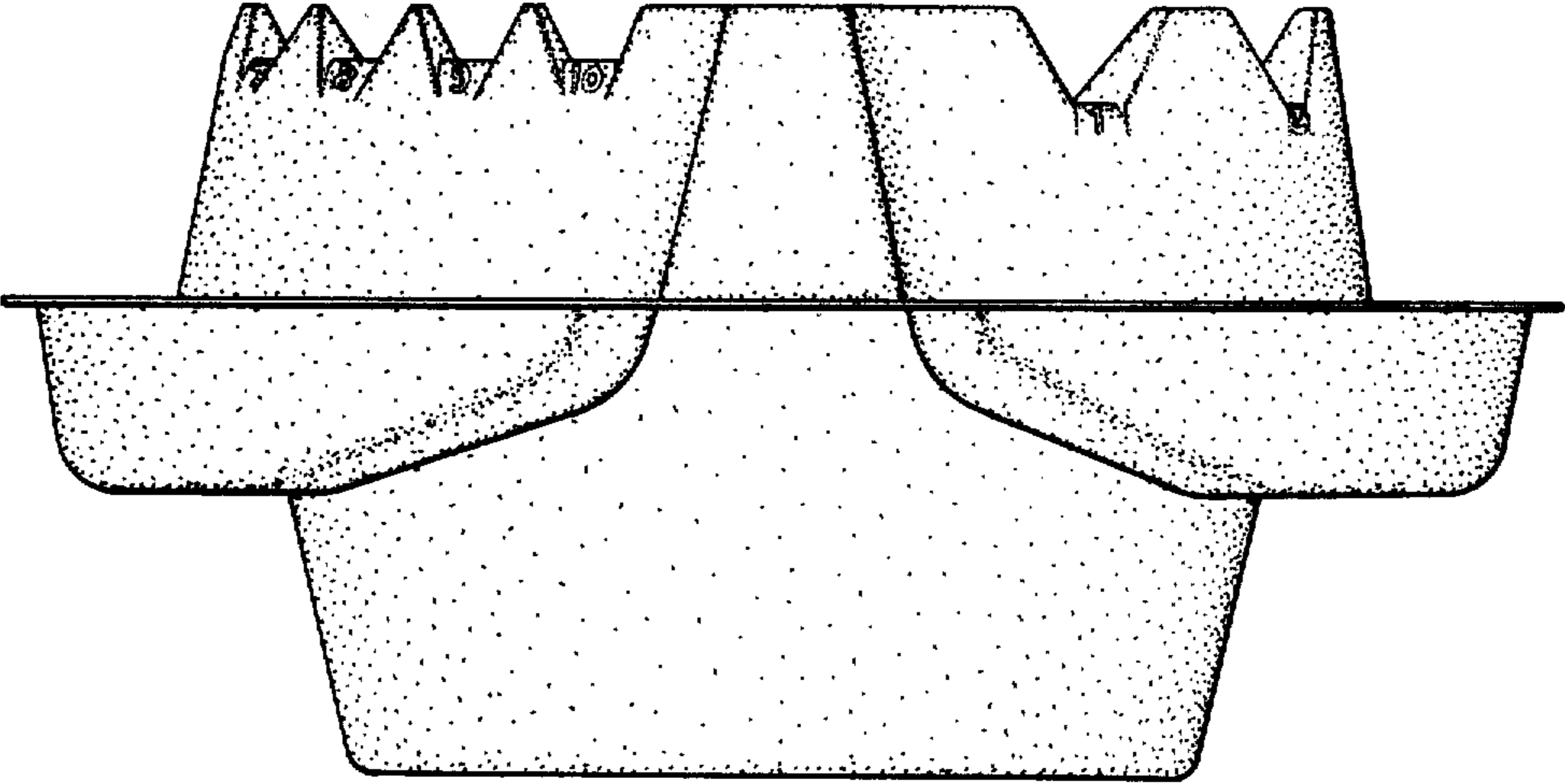


FIG. 6