

[54] **WATER HEATER**

[75] **Inventor:** William G. S. Owen, St. Martin, Wales

[73] **Assignee:** IMI Santon Limited, Newport, Wales

[**] **Term:** 14 Years

[21] **Appl. No.:** 71,105

[22] **Filed:** Aug. 30, 1979

[30] **Foreign Application Priority Data**

Apr. 24, 1979 [GB] United Kingdom 989635/79

[51] **Int. Cl.** D23—03

[52] **U.S. Cl.** D23/86

[58] **Field of Search** 219/296-309,
219/280; D23/86, 87, 88, 89, 90, 127; 126/344

[56] **References Cited**

U.S. PATENT DOCUMENTS

D. 255,379	6/1980	Riley	D23/127
1,672,942	6/1928	Isaacs	D23/86 X
2,756,320	7/1956	Hynes	219/298 X
2,790,889	4/1957	Hynes	219/280
4,185,187	1/1980	Rogers	219/306

Primary Examiner—A. Hugo Word
Attorney, Agent, or Firm—Cushman, Darby & Cushman

[57] **CLAIM**

The ornamental design for a water heater, substantially as shown and described.

DESCRIPTION

FIG. 1 is a front elevation of a water heater showing my new design;
FIG. 2 is a bottom view thereof;
FIG. 3 is a side elevation;
FIG. 4 is a top plan view; and,
FIG. 5 is a rear view thereof.

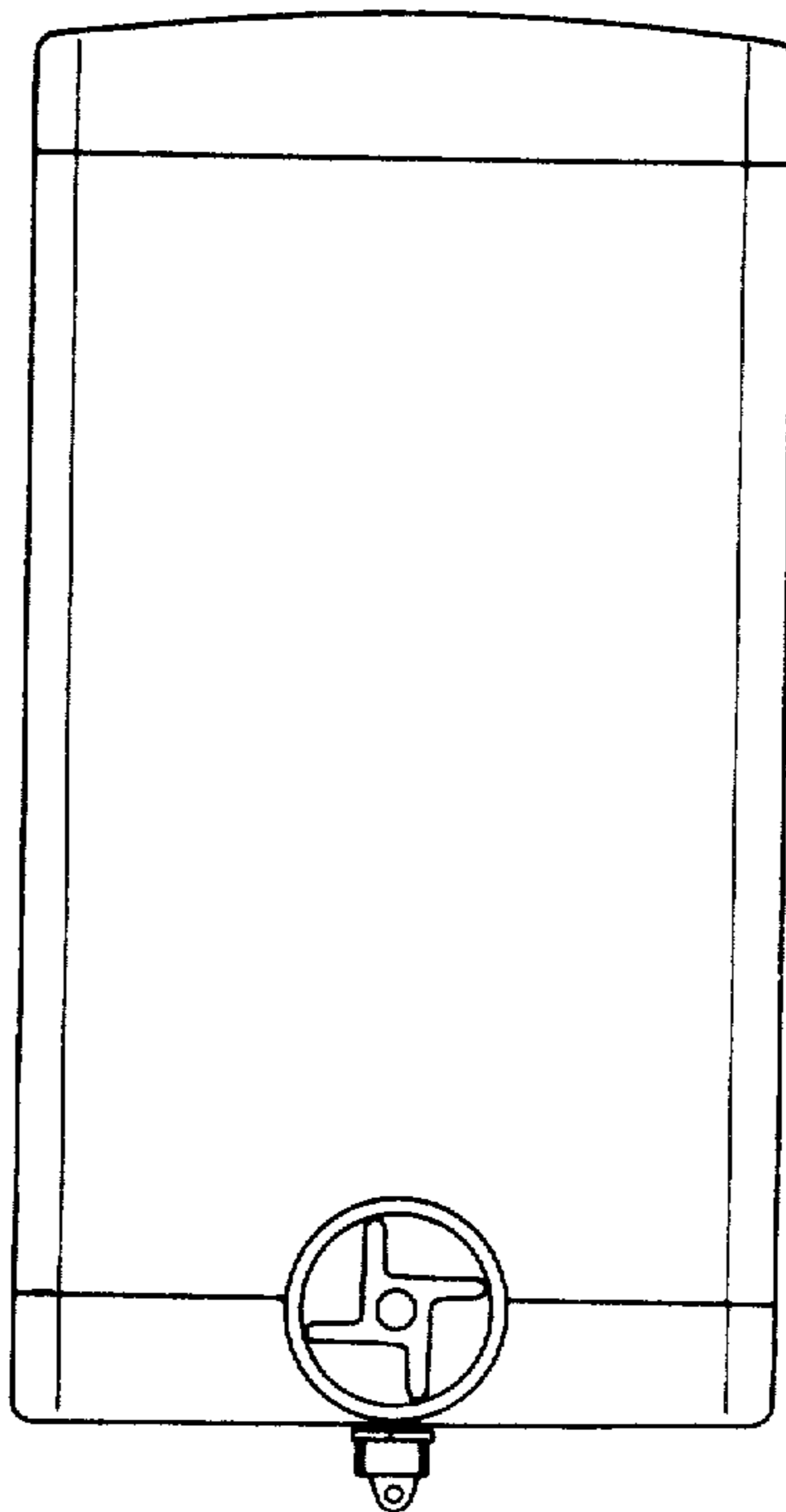


FIG. 1.

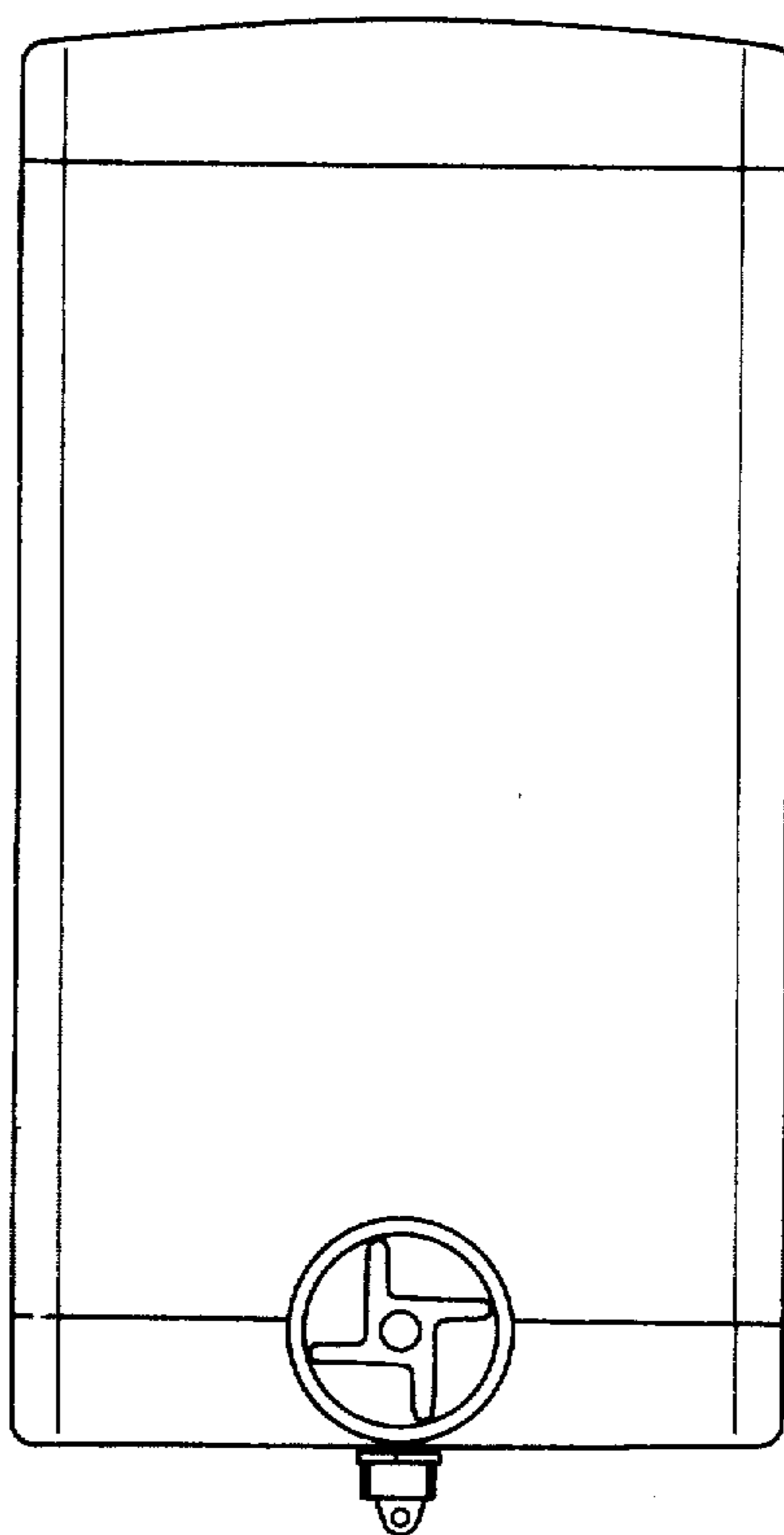
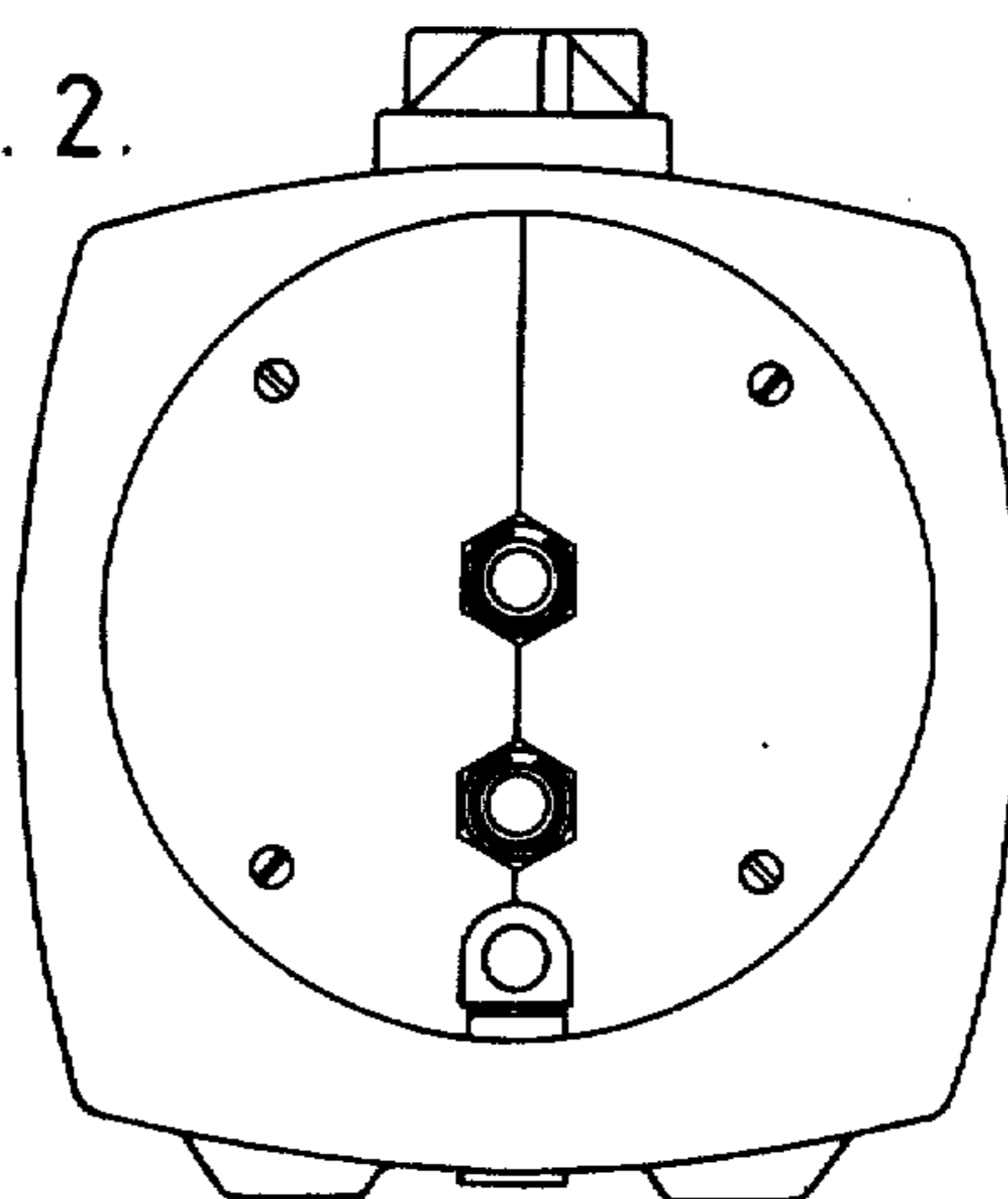
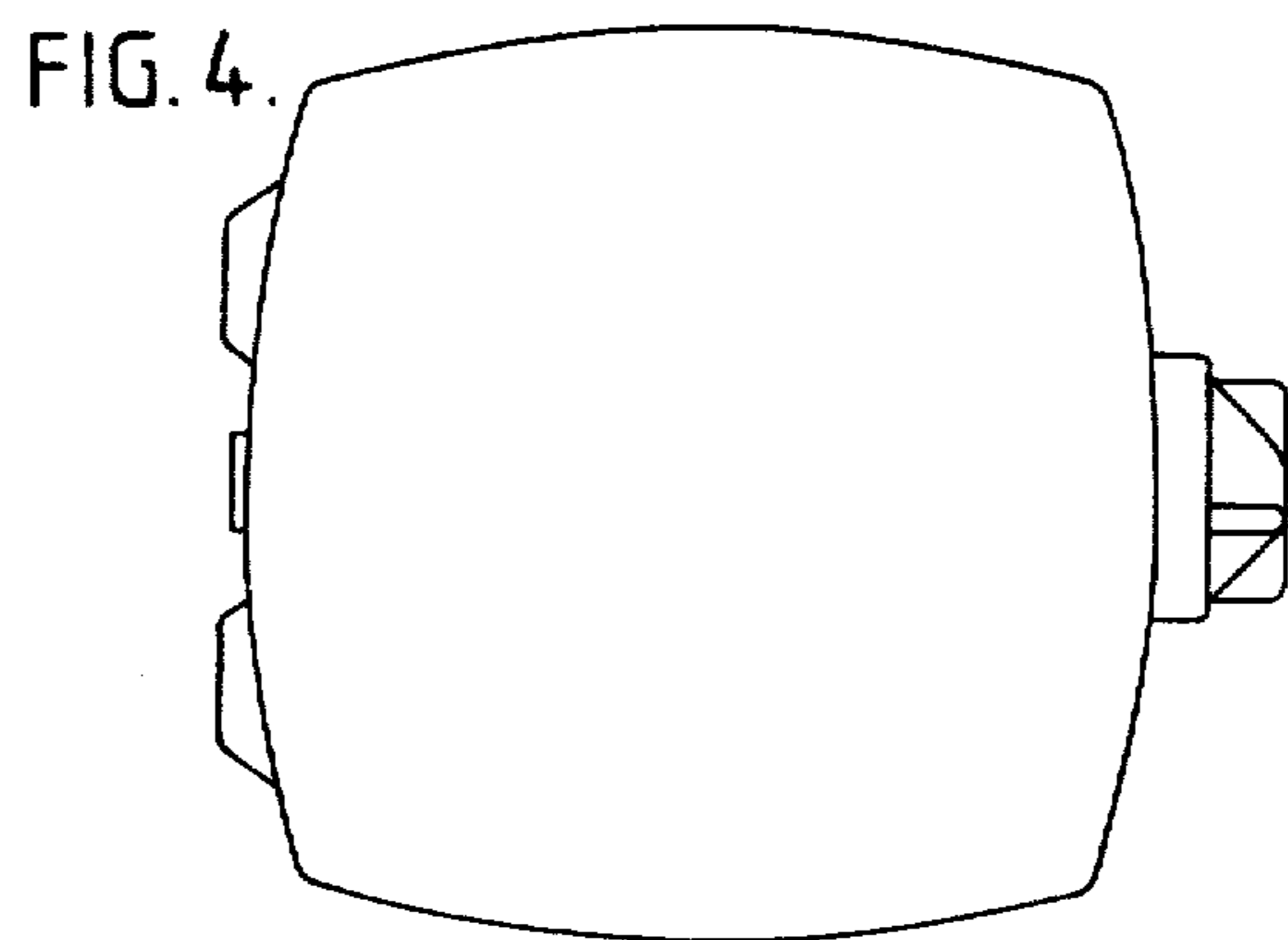
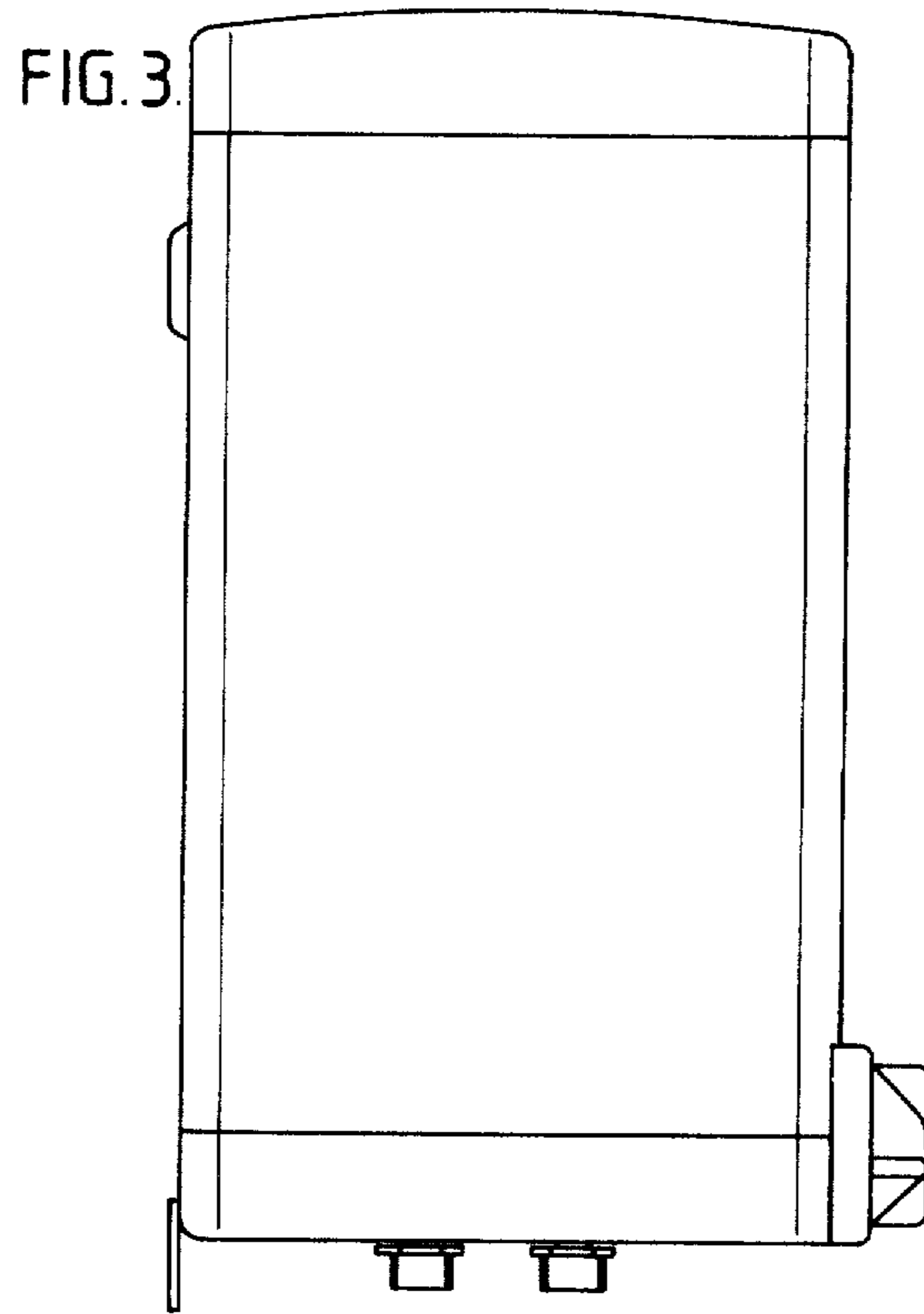


FIG. 2.





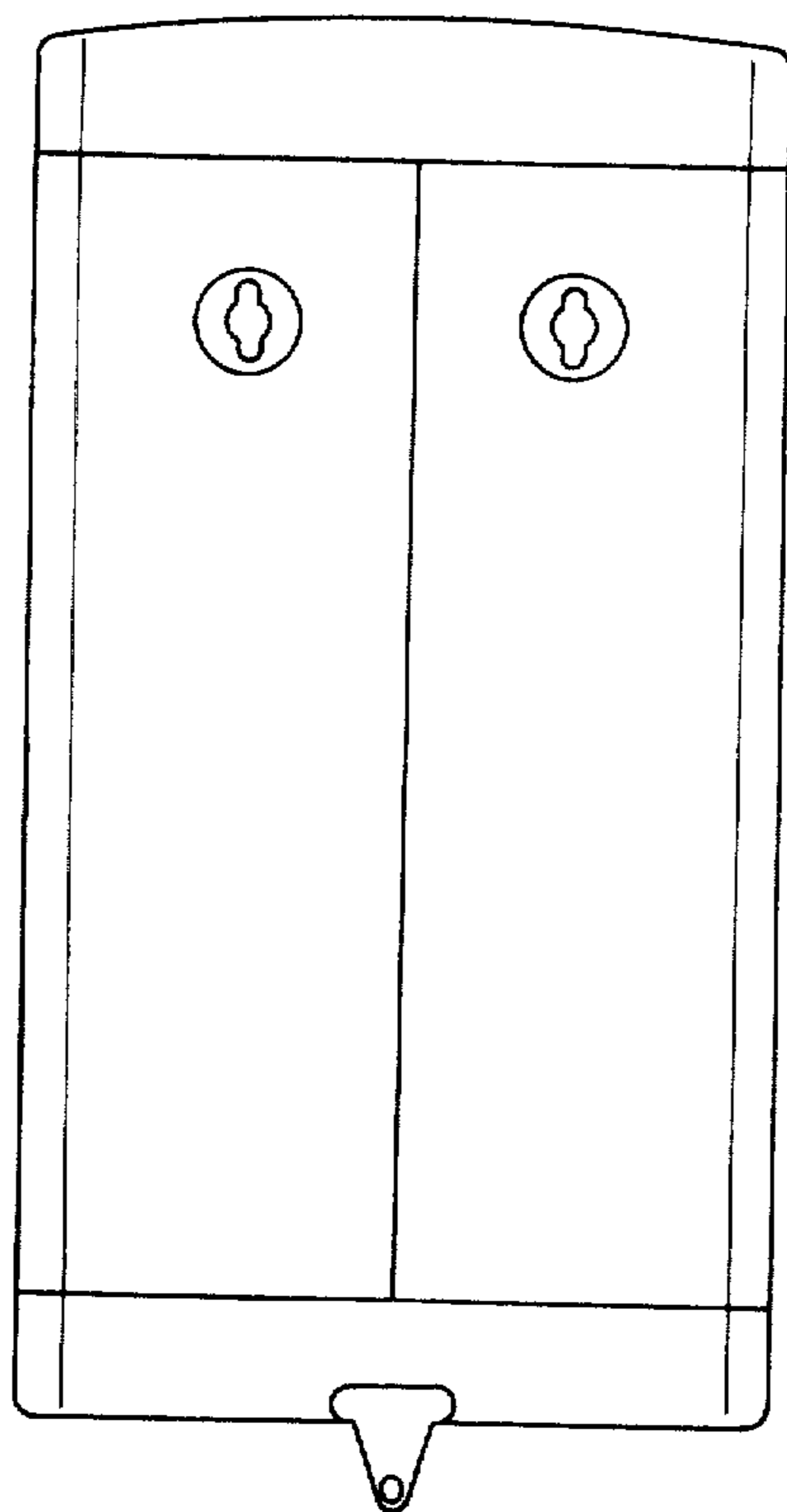


FIG. 5.