

[54] **WATER HEATER**

[75] Inventor: **William G. S. Owen**, St. Martin,
Wales

[73] Assignee: **IMI Santon Limited**, Newport,
Wales

[**] Term: **14 Years**

[21] Appl. No.: **71,104**

[22] Filed: **Aug. 30, 1979**

[30] **Foreign Application Priority Data**

Apr. 24, 1979 [GB] United Kingdom 989636/79

[51] Int. Cl. **D23-03**

[52] U.S. Cl. **D23/86**

[58] Field of Search 219/296-309,
219/280; D23/86, 87, 88, 89, 90, 127; 126/344

[56] **References Cited**

U.S. PATENT DOCUMENTS

3,370,154 2/1968 Fuchslocher 219/309
3,513,291 5/1970 Mamoulides et al. 219/309 X

FOREIGN PATENT DOCUMENTS

697877 11/1964 Canada 219/304
1236934 6/1971 United Kingdom 219/309

Primary Examiner—A. Hugo Word

Attorney, Agent, or Firm—Cushman, Darby & Cushman

[57] **CLAIM**

The ornamental design for a water heater, substantially as shown and described.

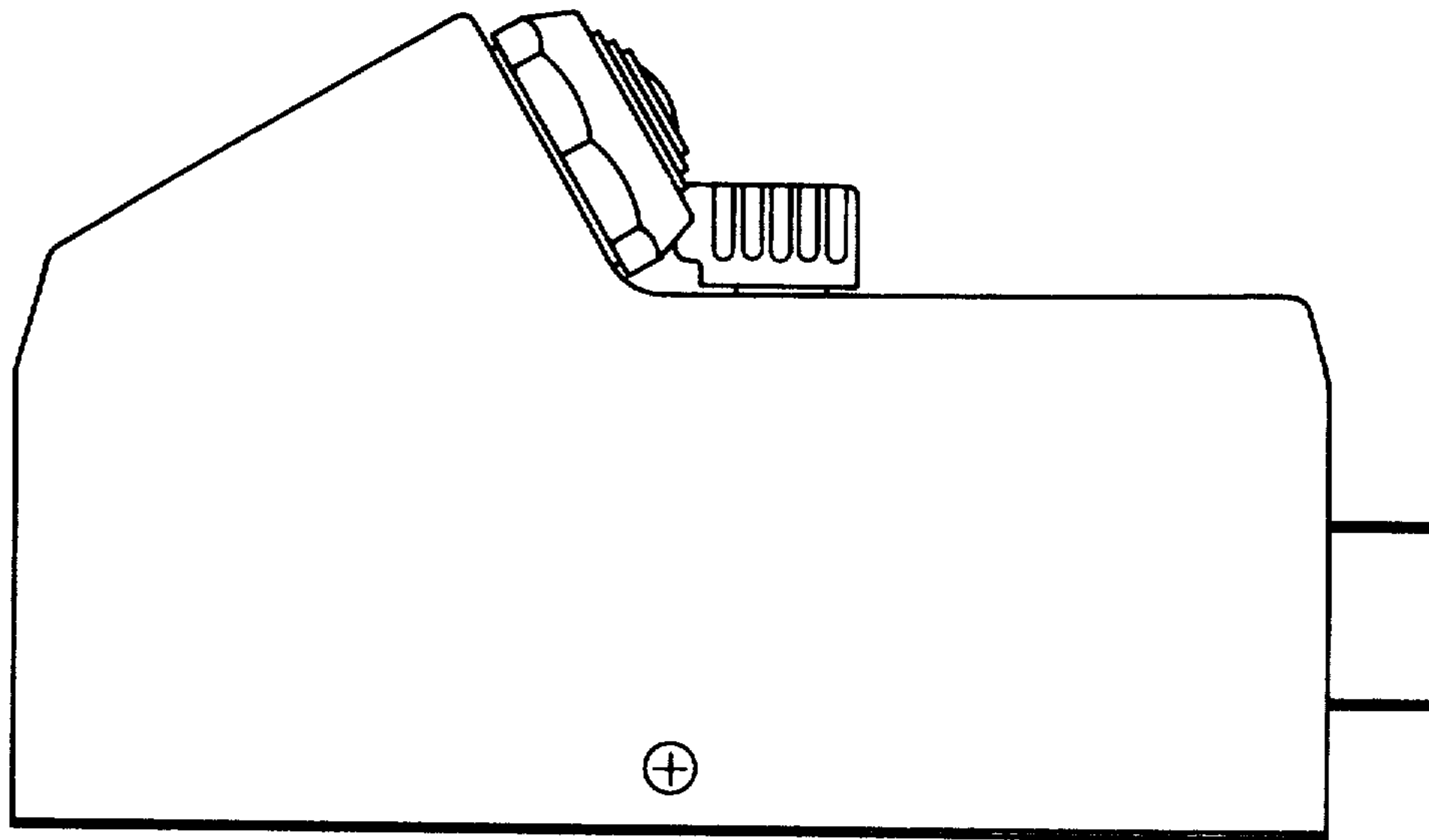
DESCRIPTION

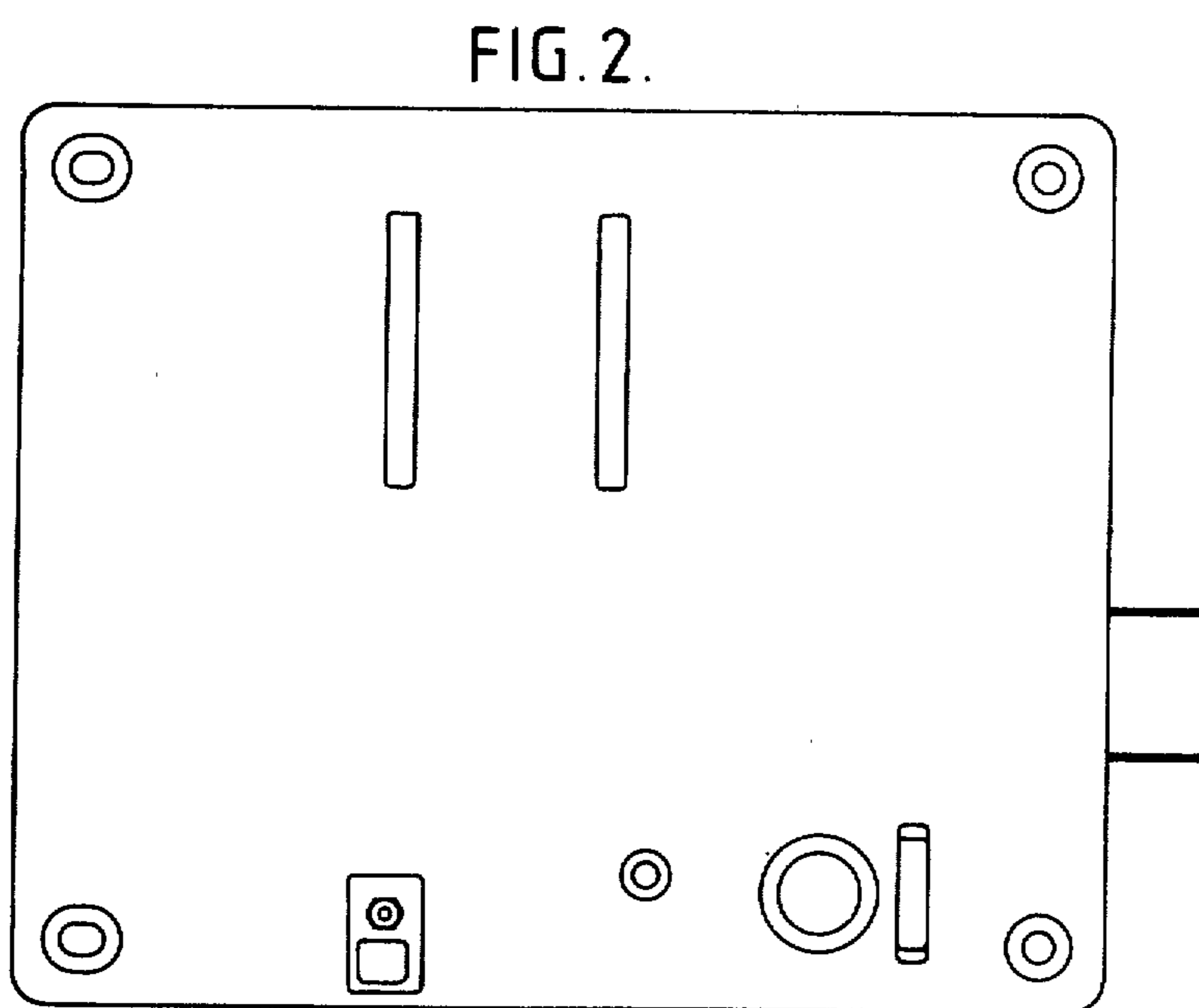
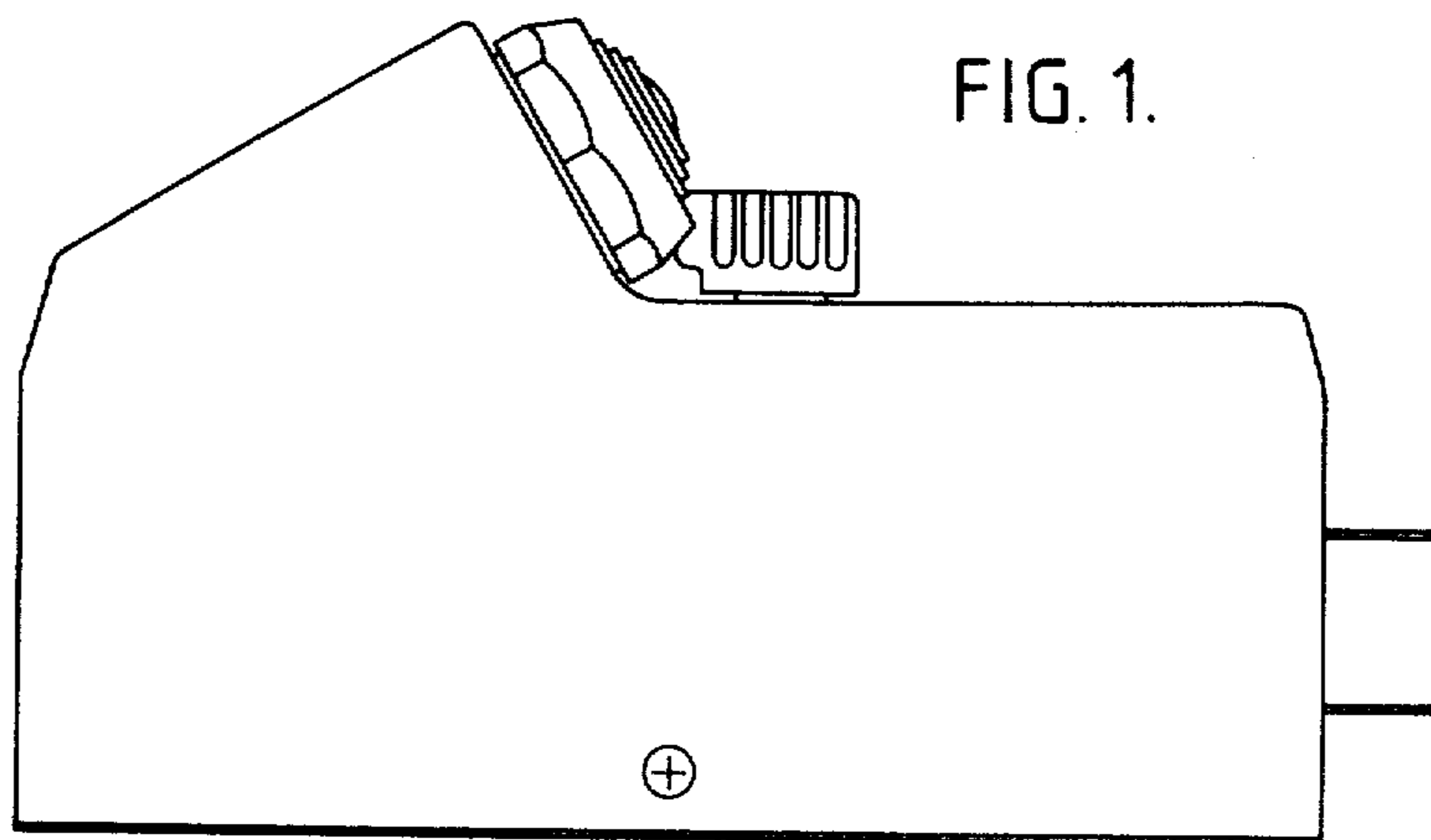
FIG. 1 is a side view of a water heater showing my new design;

FIG. 2 is a bottom view thereof;

FIG. 3 is a front view; and,

FIG. 4 is a top plan view.





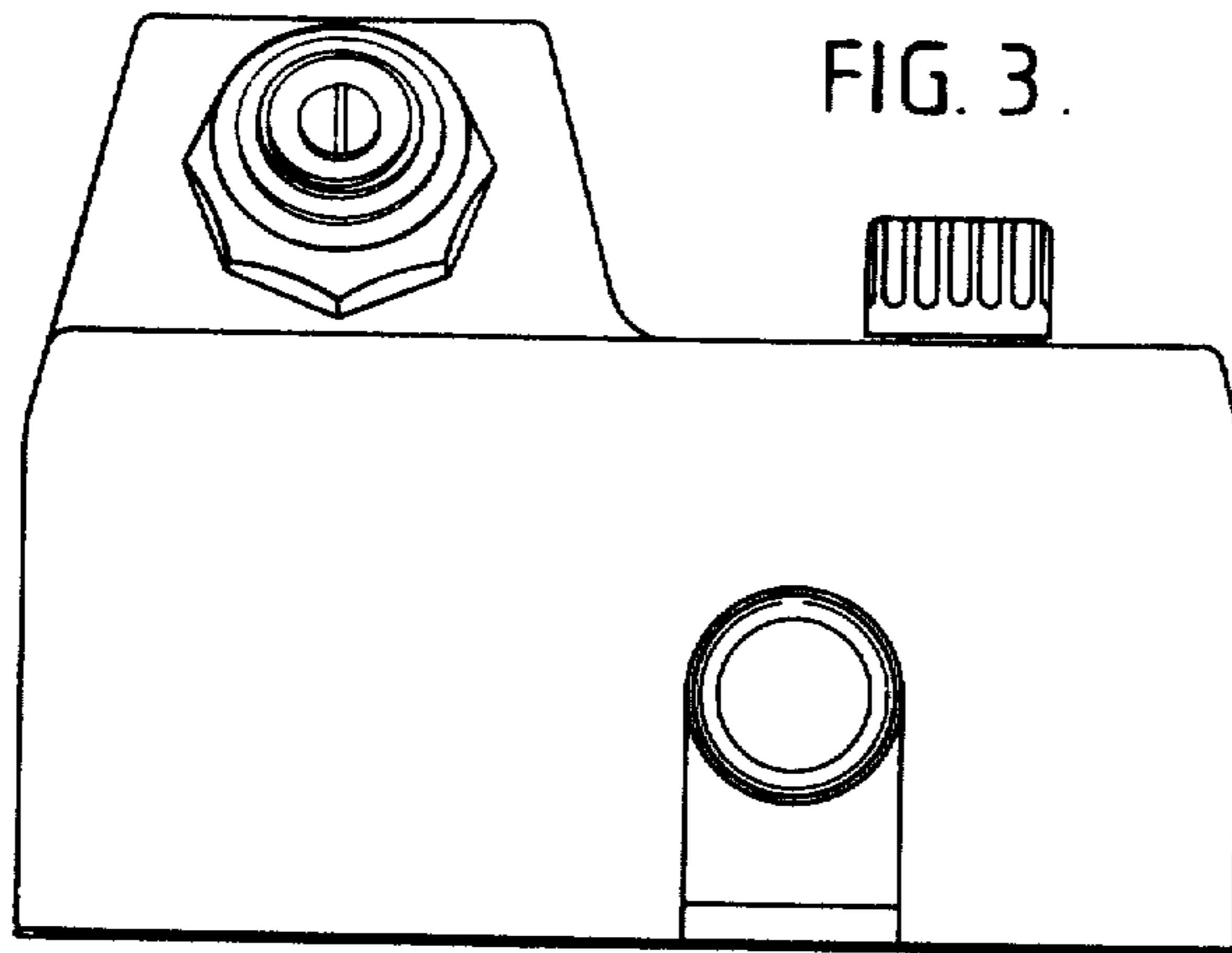


FIG. 4

