

[54] **ELEVATED TOILET SEAT**
 [75] Inventor: **Michael D. R. Rodger**, Kegworth, England
 [73] Assignee: **Gordon Ellis & Co.**, England
 [**] Term: **14 Years**
 [21] Appl. No.: **116,232**
 [22] Filed: **Jan. 28, 1980**

D. 190,555	6/1961	Weidner	D23/71
D. 237,887	12/1975	Landsberger	D23/71
D. 239,715	4/1976	Finlof	D23/71
D. 242,457	11/1976	Landsberger	D23/71
612,076	10/1896	Weston	4/239
2,790,182	4/1957	Malin	4/237
3,171,138	3/1965	Brunelle	D23/71 X
4,213,211	7/1980	Bemis	4/235

[30] **Foreign Application Priority Data**
 Jul. 31, 1979 [GB] United Kingdom 991002/79

[51] **Int. Cl.** **D23-02**
 [52] **U.S. Cl.** **D23/11**
 [58] **Field of Search** D23/71; 4/234, 235, 4/237, 239

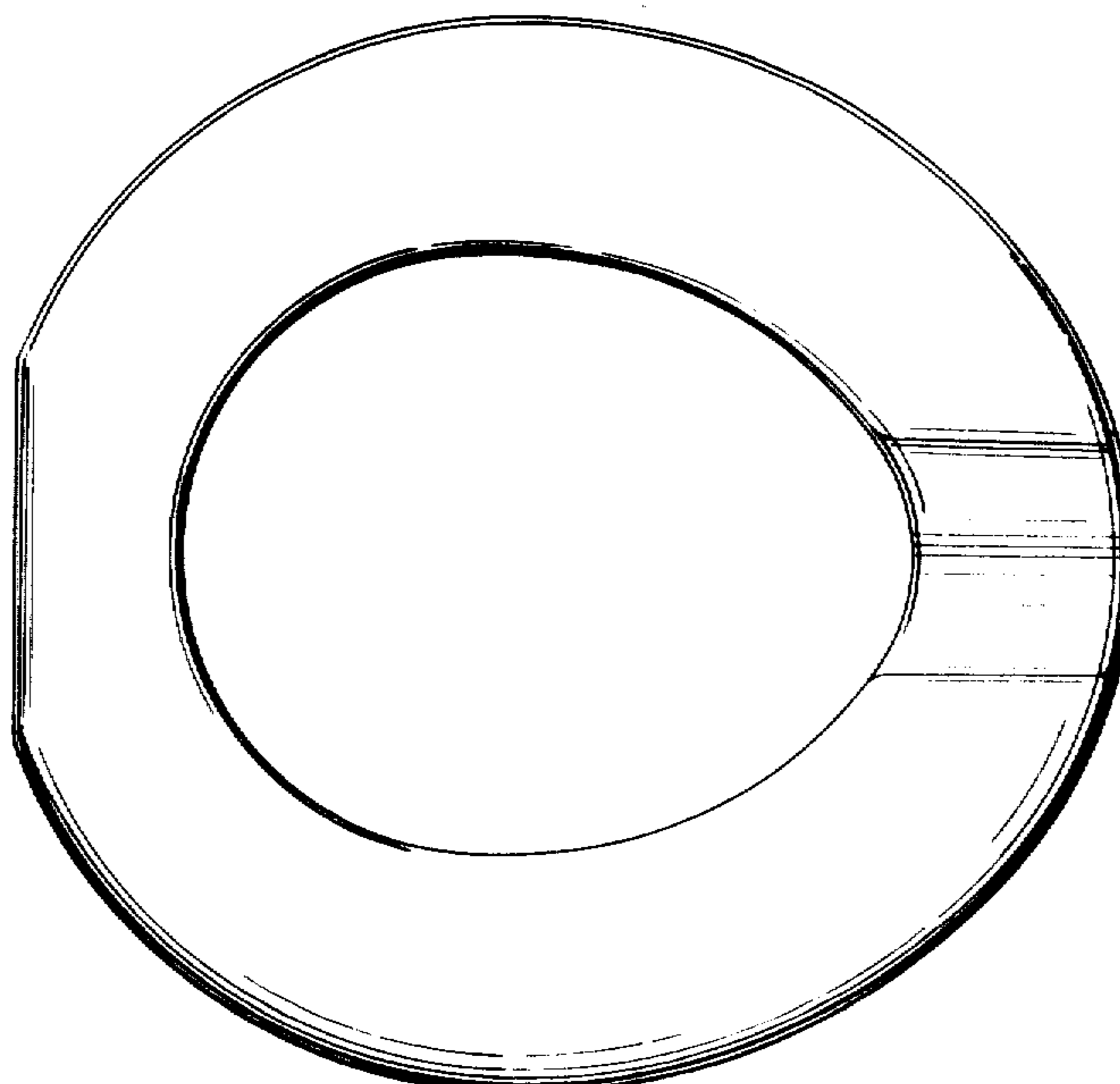
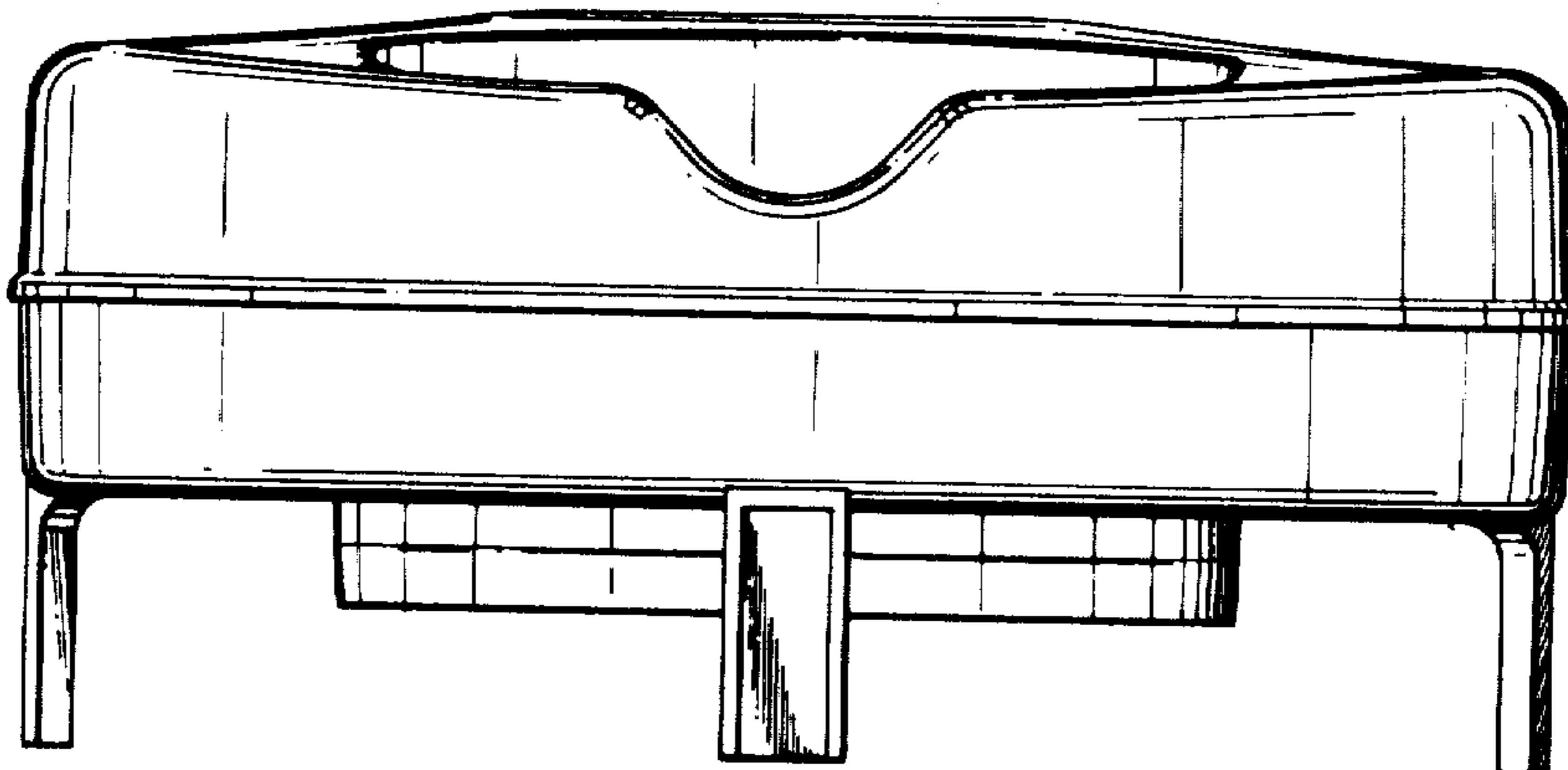
[56] **References Cited**
U.S. PATENT DOCUMENTS
 D. 26,365 12/1896 Nichols D23/71
 D. 190,408 5/1961 Finlof D23/71

Primary Examiner—James R. Largen
Attorney, Agent, or Firm—Kane, Dalsimer, Kane, Sullivan and Kurucz

[57] **CLAIM**
 The ornamental design for an elevated toilet seat, as shown and described.

DESCRIPTION

FIG. 1 is a front elevation of a toilet seat embodying my new design;
 FIG. 2 is a rear elevation thereof;
 FIG. 3 is a top plan view thereof;
 FIG. 4 is a left side elevation thereof, the right side being a mirror image of the left side shown; and
 FIG. 5 is a bottom plan view thereof.



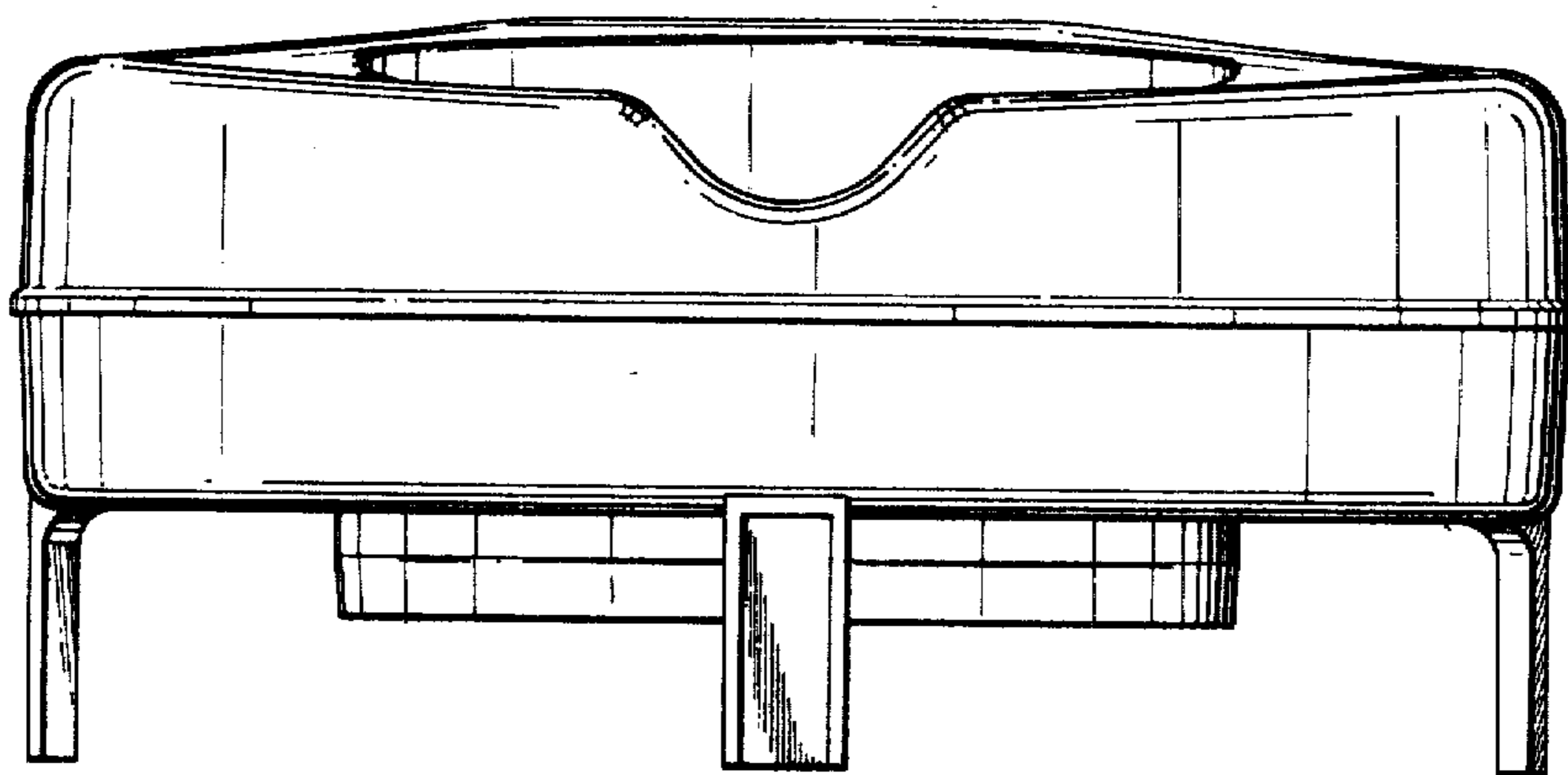


FIG. 1.

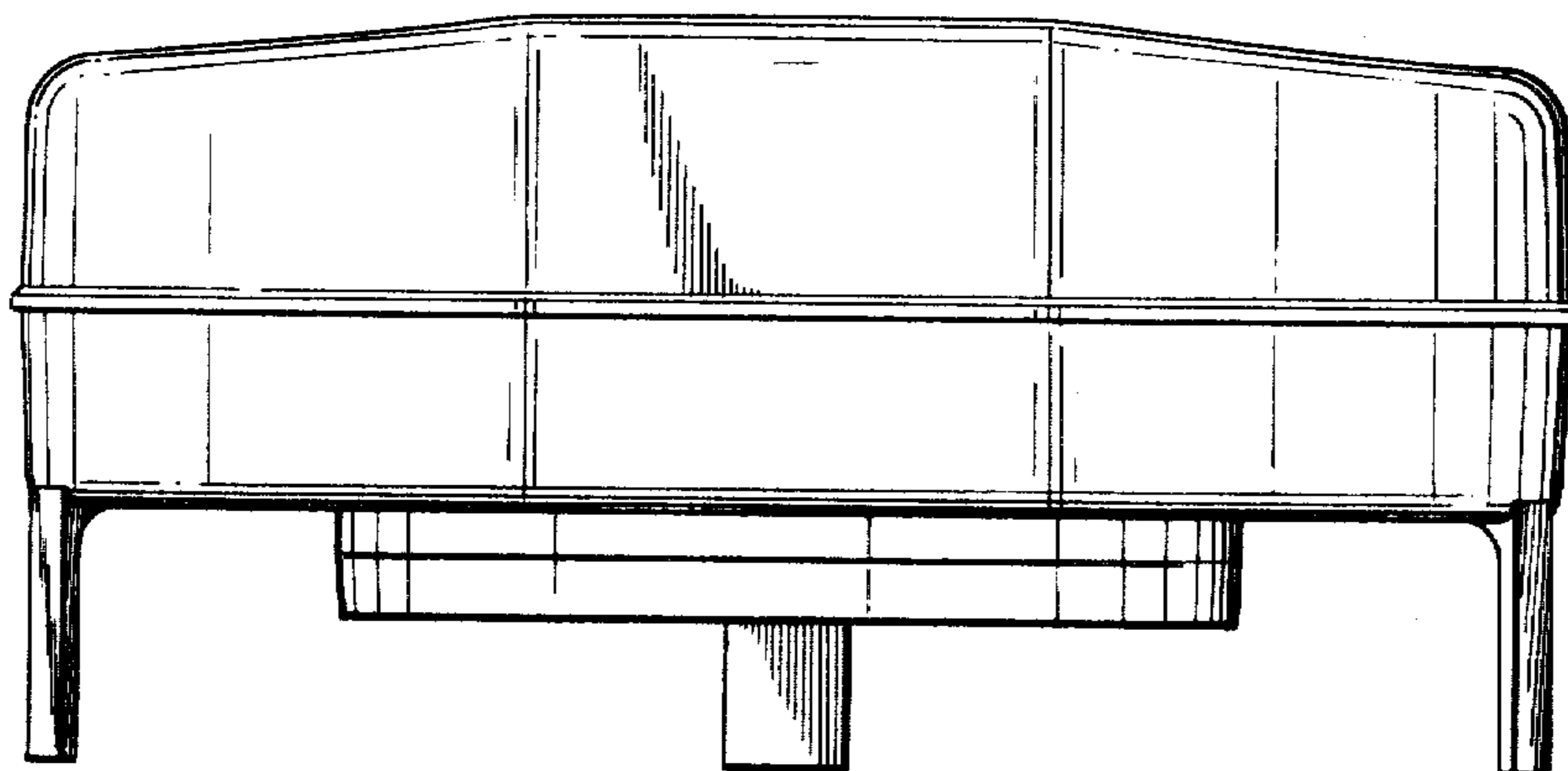


FIG. 2.

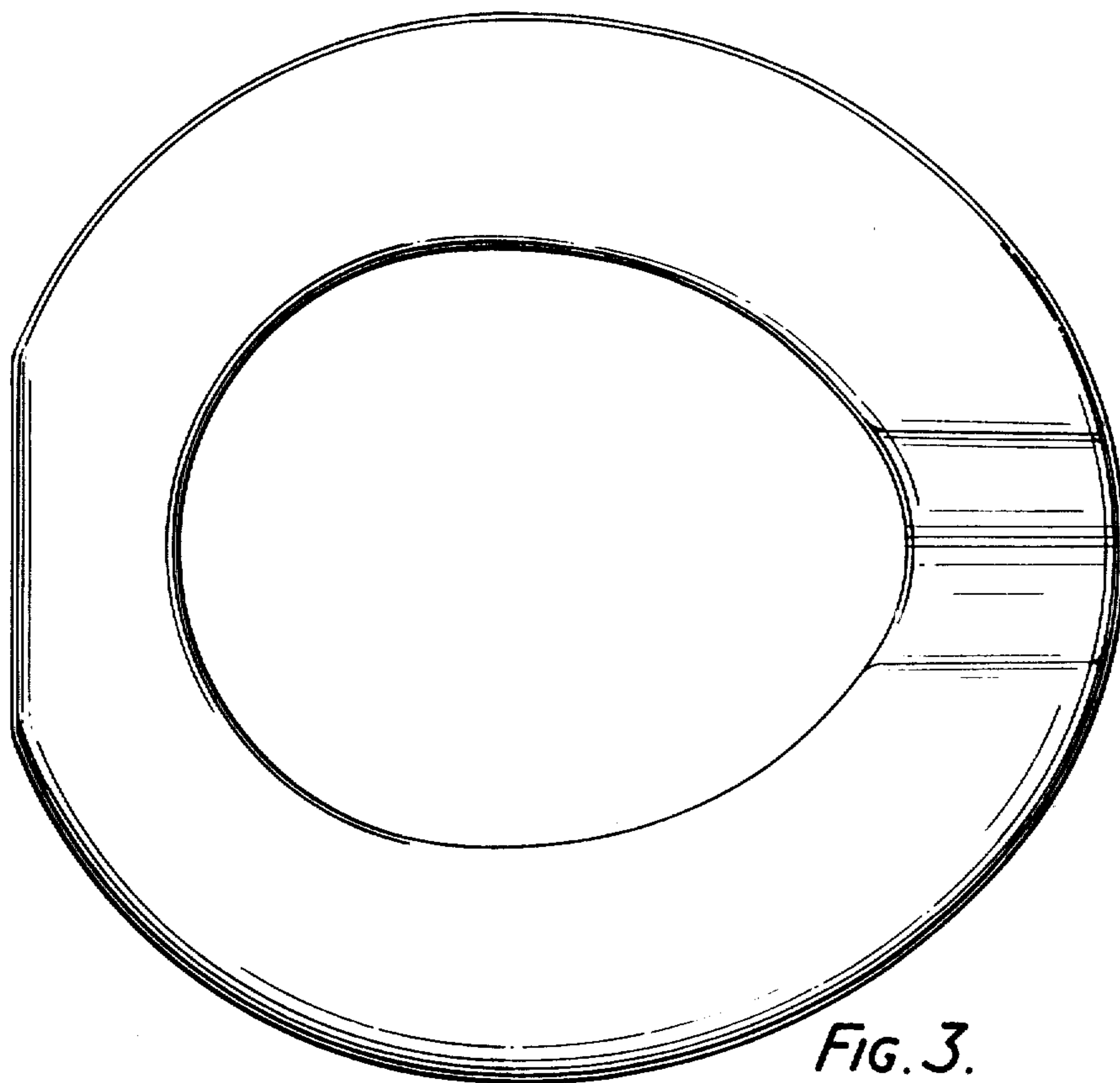


FIG. 3.

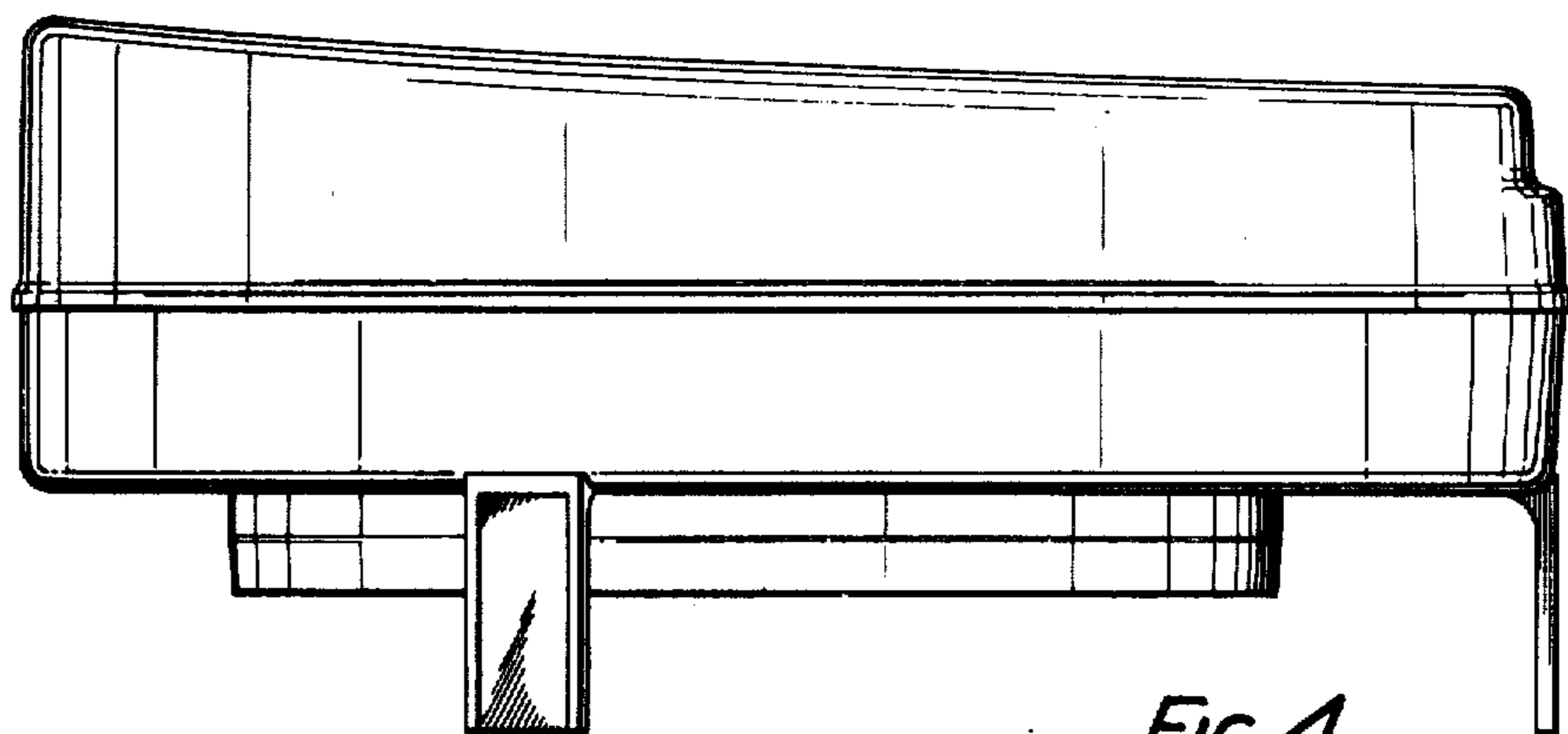


FIG. 4.

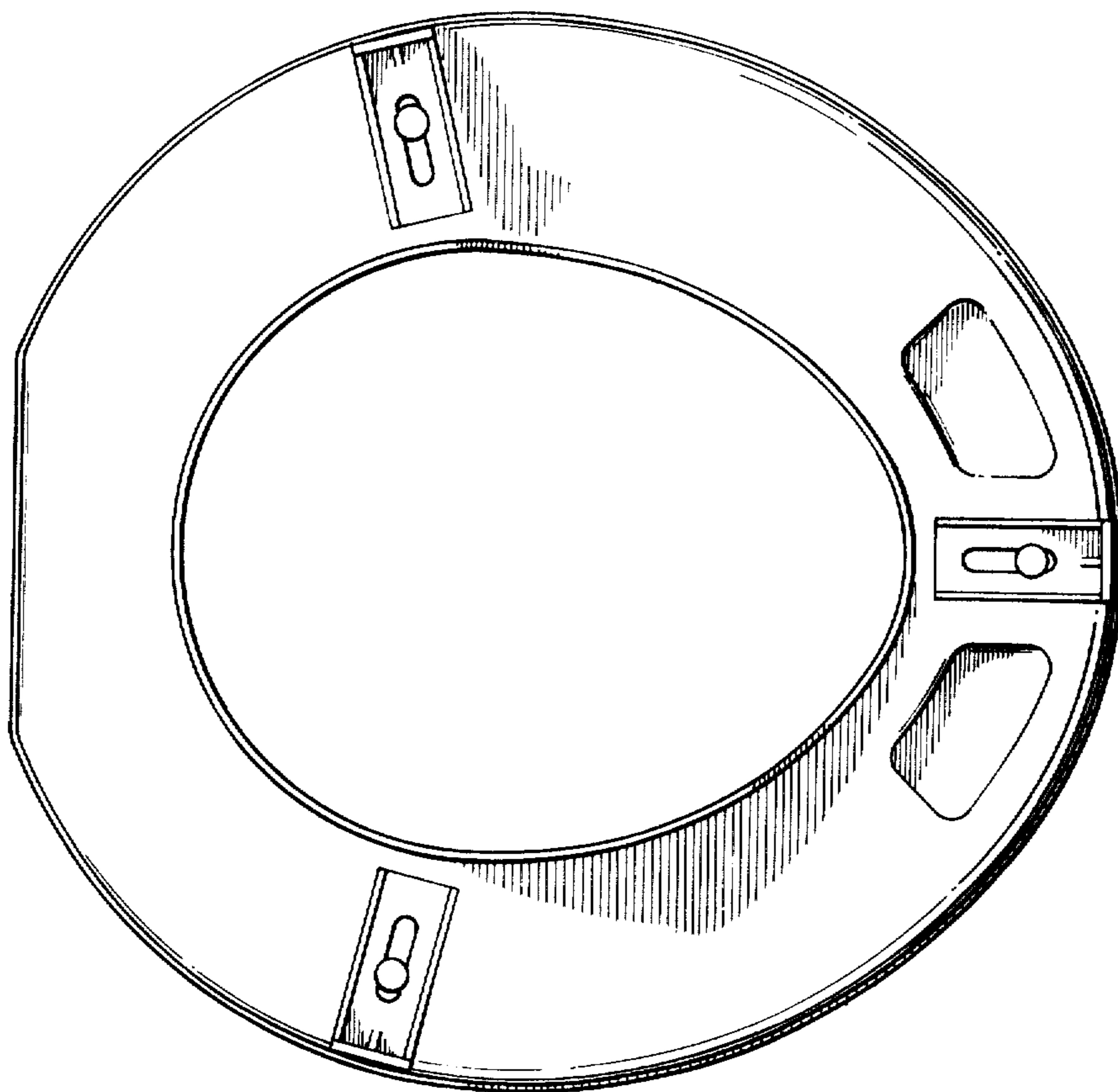


FIG. 5.