

[54] **MAGNETIC WATER CONDITIONER**
 [75] Inventor: **Roland K. Carpenter**, Roseville, Minn.
 [73] Assignee: **Aqua Magnetics, Inc.**, Bloomington, Minn.
 [**] Term: **14 Years**
 [21] Appl. No.: **118,448**
 [22] Filed: **Feb. 4, 1980**
 [51] Int. Cl. **D23-01**
 [52] U.S. Cl. **D23/3; D7/84**
 [58] Field of Search **D23/3 A; 210/222, 223; D7/16, 84**

D. 241,936 10/1976 Rosaen D23/4
 D. 242,920 1/1977 Csurgay D23/3
 2,612,268 9/1952 Merwin 210/222 X
 3,228,878 1/1966 Moody 210/222 X
 3,463,729 8/1969 Bean 210/222 X
 4,210,535 7/1980 Risk 210/222

Primary Examiner—James R. Largen
Attorney, Agent, or Firm—Peterson, Palmatier, Sturm & Sjoquist

[57] **CLAIM**

The ornamental design for a magnetic water conditioner, substantially as shown and described.

DESCRIPTION

FIG. 1 is a perspective view taken from the top, front and left end of a magnetic water conditioner showing my new design;
 FIG. 2 is a left end elevational view thereof;
 FIG. 3 is a right end elevational view;
 FIG. 4 is a top plan view;
 FIG. 5 is a rear elevational view thereof; and
 FIG. 6 is a bottom plan view.

[56] **References Cited**
U.S. PATENT DOCUMENTS
 D. 107,460 12/1937 Spence D7/82
 D. 171,939 4/1954 Hubsch D7/84
 D. 216,214 12/1969 Daenen D7/84

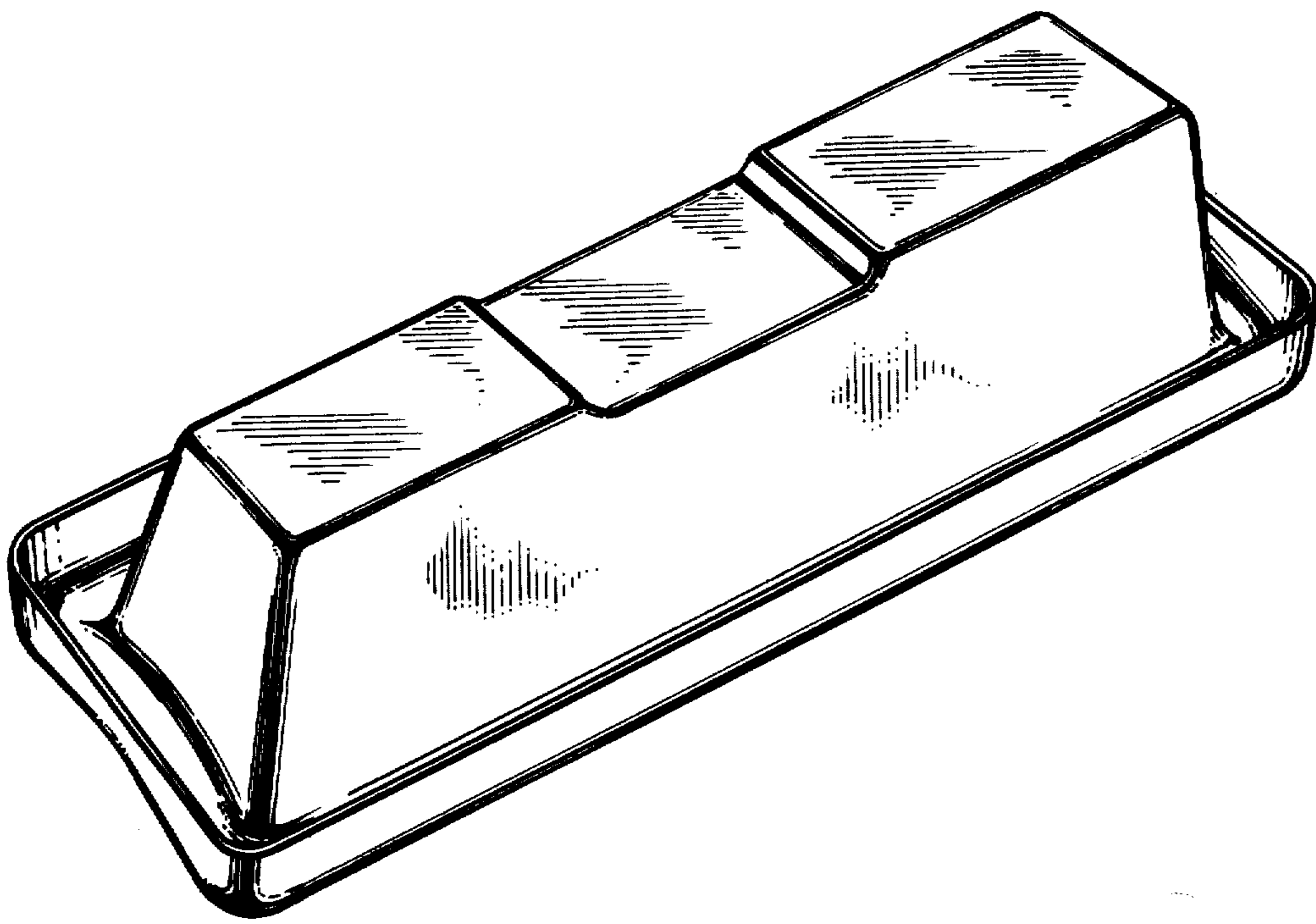


Fig 2

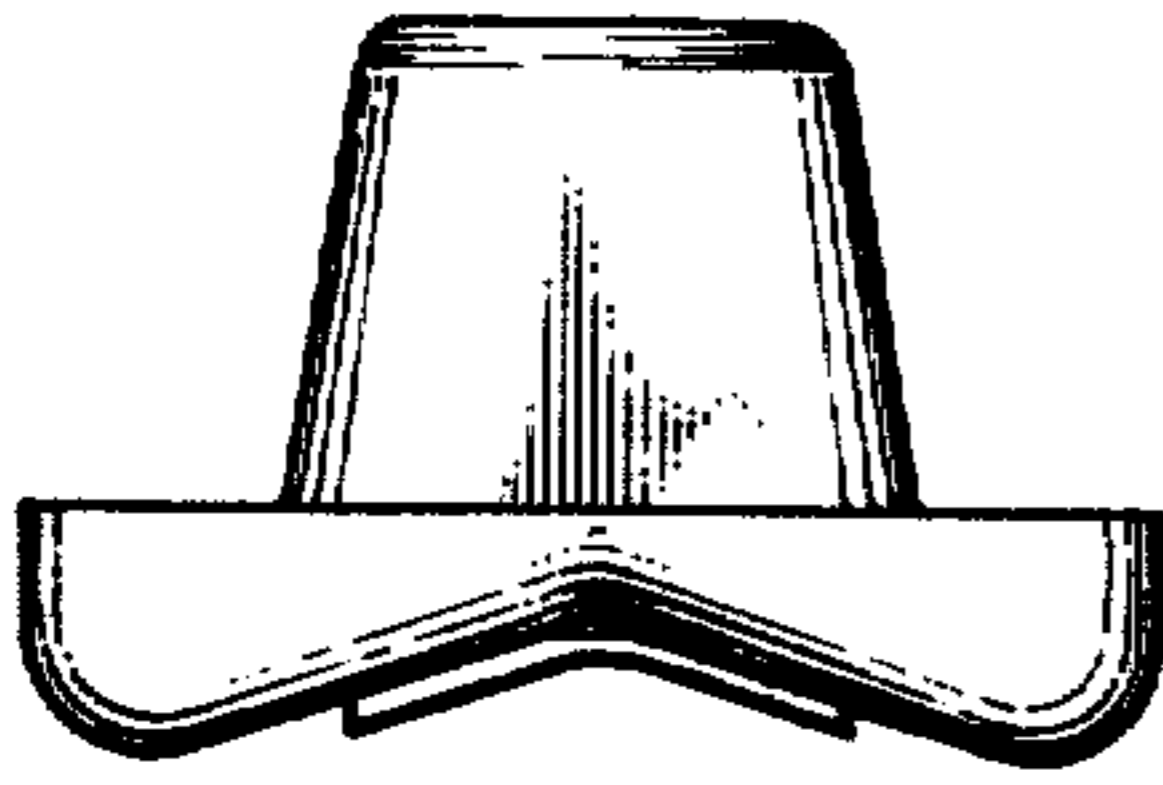


Fig 1

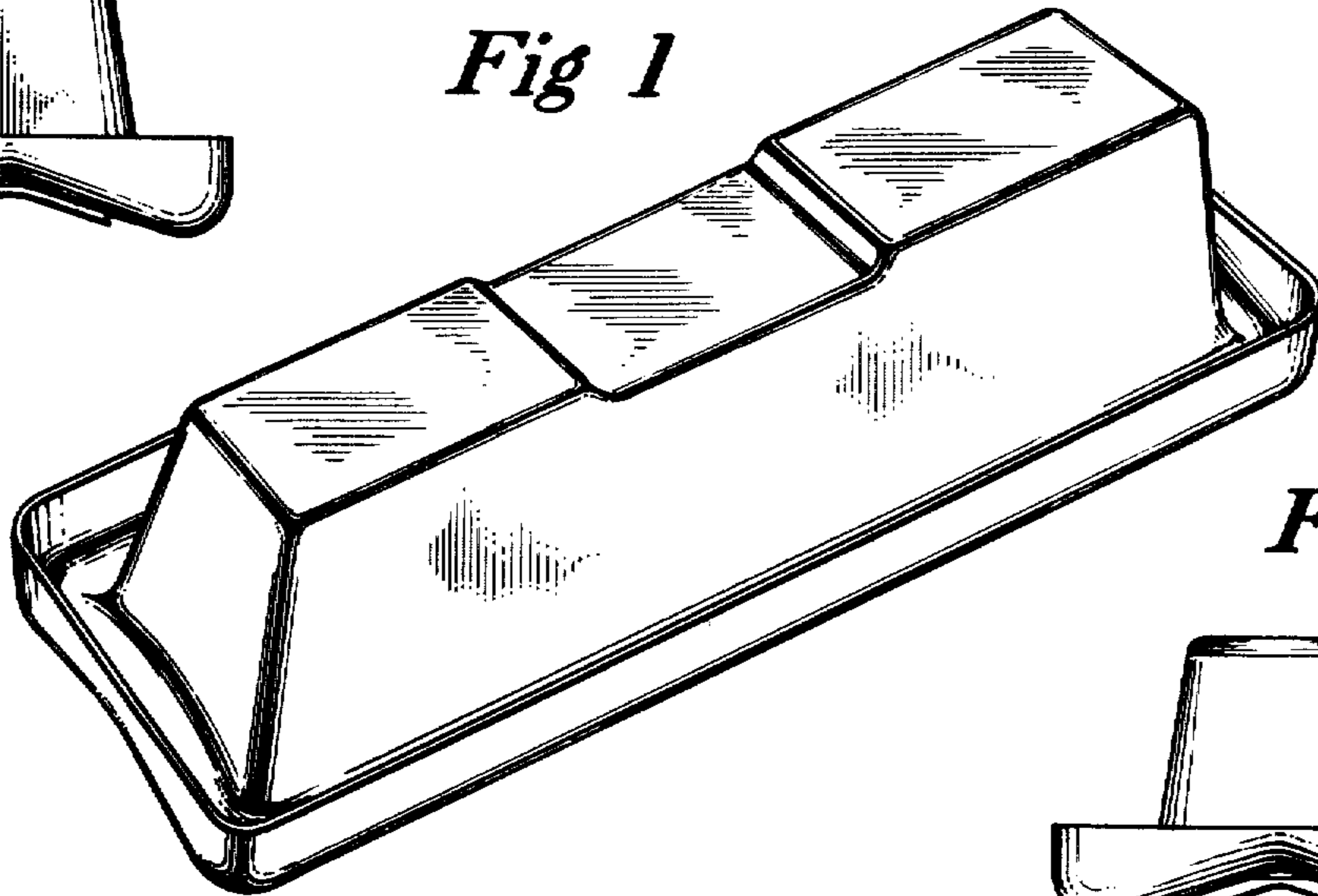


Fig 3

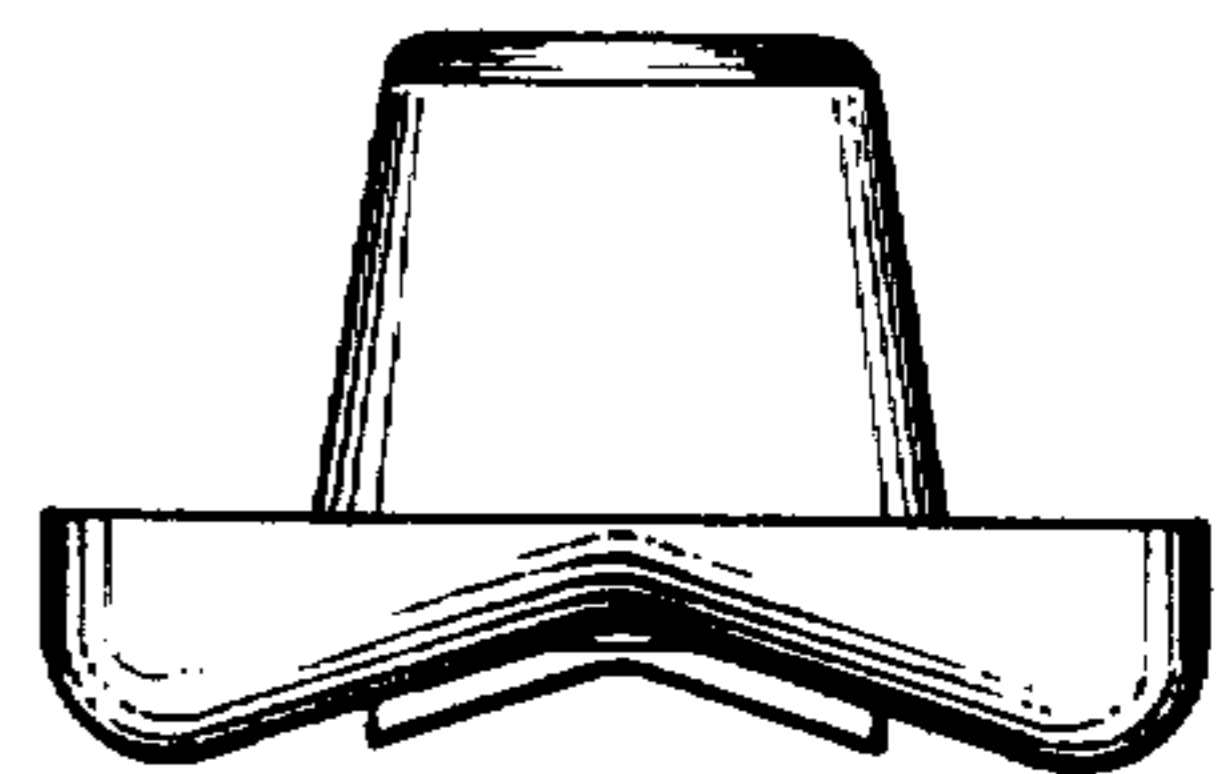


Fig 4

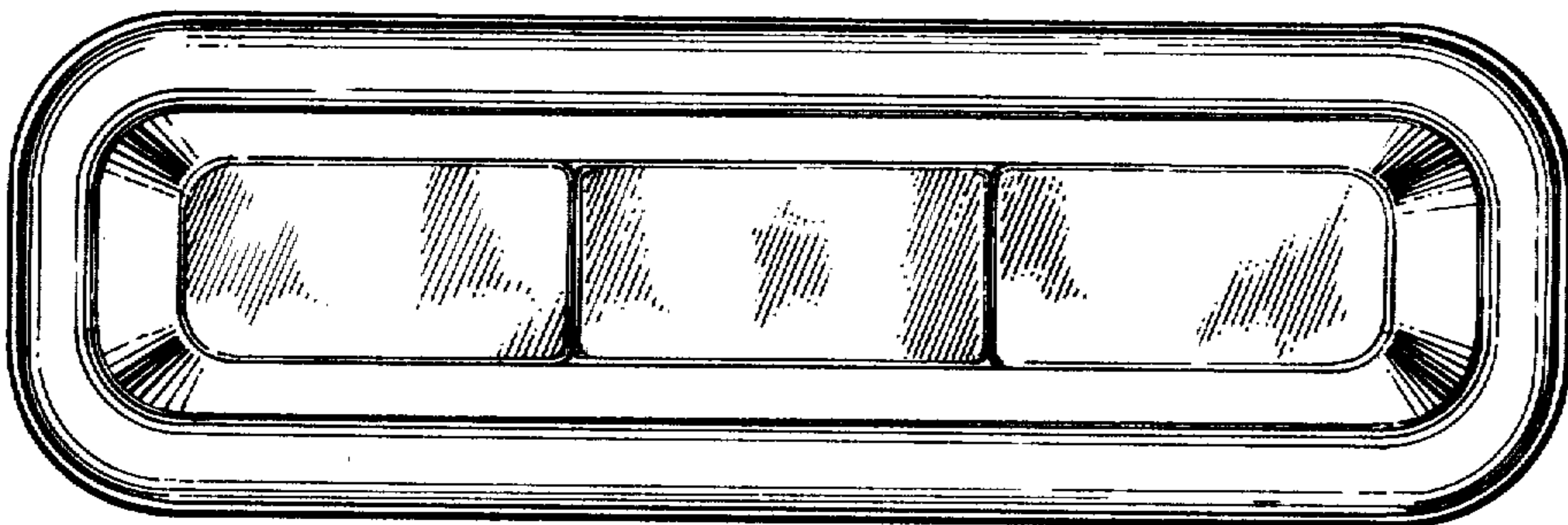


Fig 5

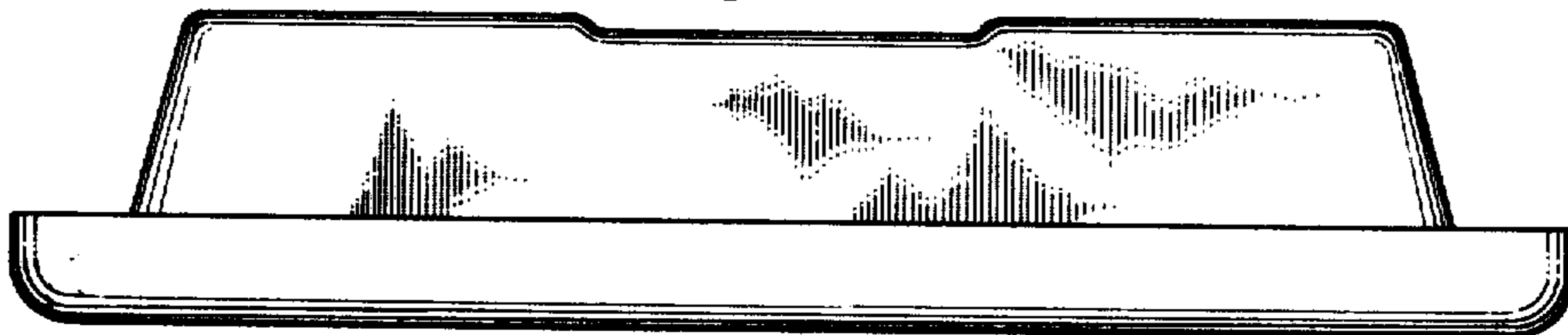


Fig 6

