

[54] ICE SKATE

[75] Inventor: Malcolm F. Cox, Jr., Brampton, Canada

[73] Assignee: Canada Cycle and Motor Company Limited, Weston, Canada

[**] Term: 14 Years

[21] Appl. No.: 58,660

[22] Filed: Jul. 19, 1979

[30] Foreign Application Priority Data

Jan. 23, 1979 [CA] Canada 23-01-79-2

[51] Int. Cl. D21-02

[52] U.S. Cl. D21/225

[58] Field of Search D21/224-228; 280/11.1, 600, 11.17, 11.51 R, 11.12, 11.38, 11.1 R

[56]

References Cited

U.S. PATENT DOCUMENTS

- D. 245,872 9/1977 Baikie et al. D21/225
- D. 248,583 7/1978 Zuuring D21/225
- D. 250,490 12/1978 Baikie et al. D21/225

Primary Examiner—Charles A. Rademaker
Attorney, Agent, or Firm—Rogers, Bereskin & Parr

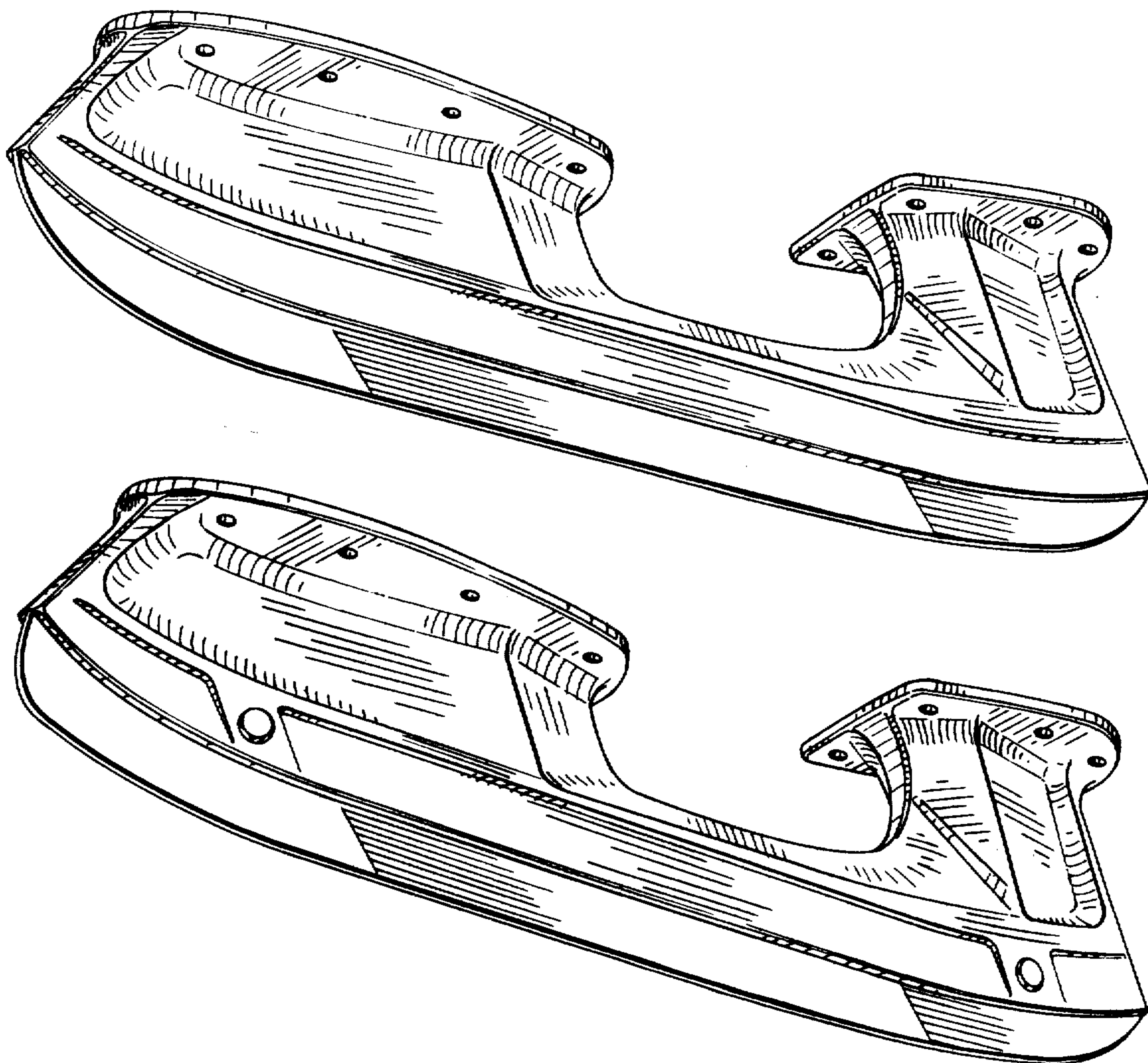
[57]

CLAIM

The ornamental design for an ice skate, as shown and described.

DESCRIPTION

FIG. 1 is a front and bottom perspective view of an ice skate showing my new design;
 FIG. 2 is a rear and top perspective view thereof;
 FIG. 3 is a front and bottom perspective view of a modified form of the design shown in FIGS. 1 and 2; and,
 FIG. 4 is a rear and top perspective view thereof.



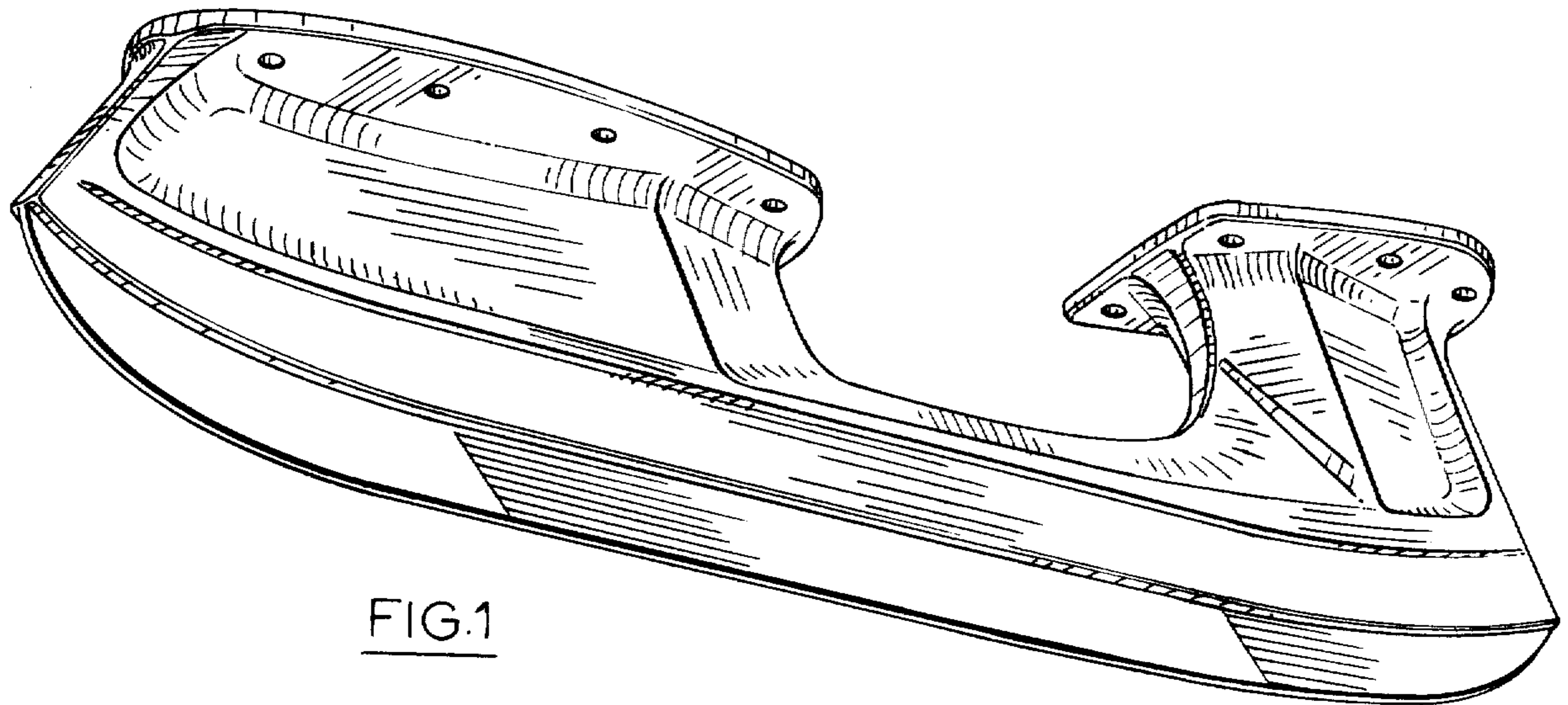


FIG. 1

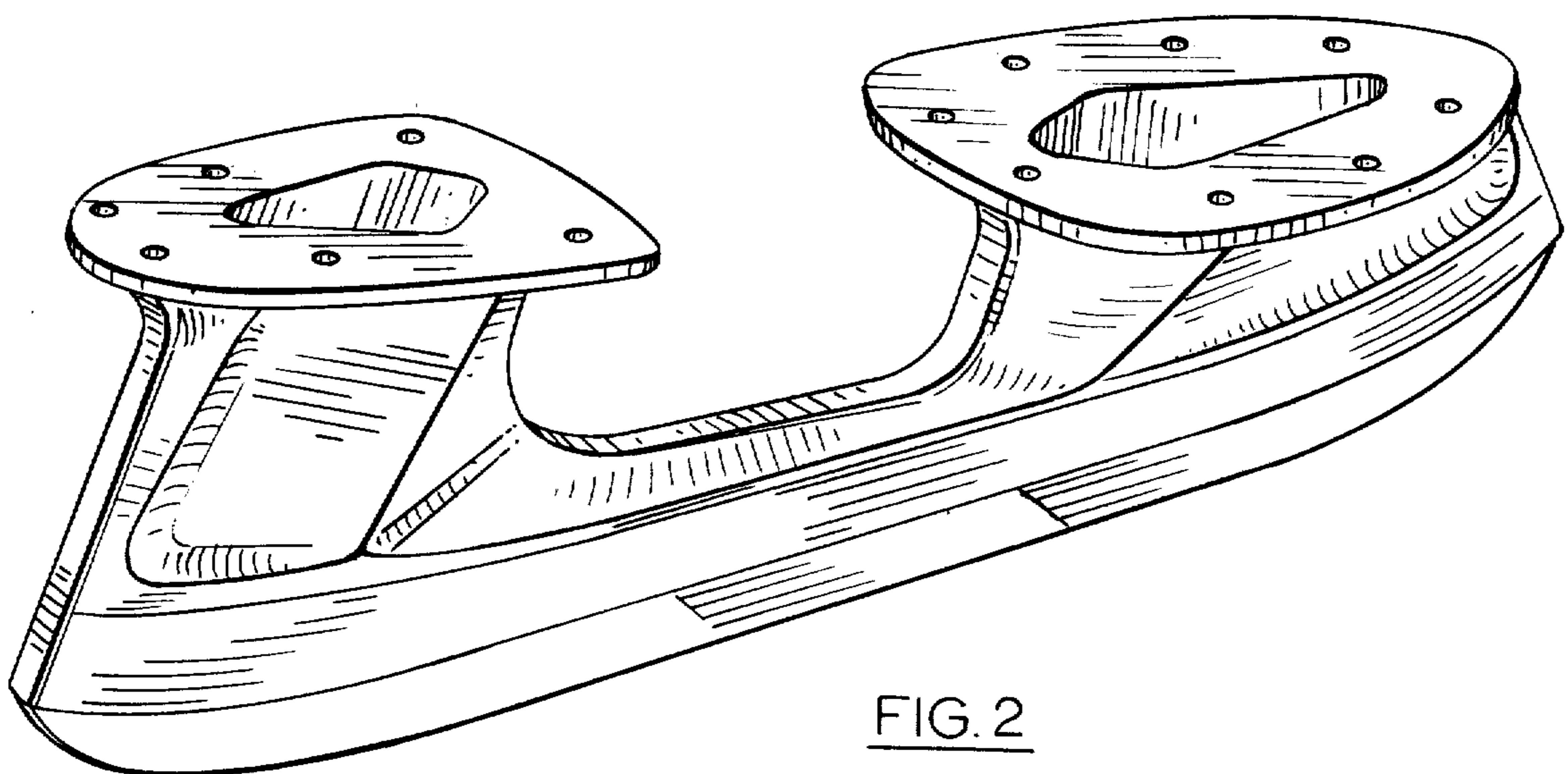


FIG. 2

