

[54] TYPING COPY HOLDER

[76] Inventor: Bruce K. Nagley, 4765 Kingshill Dr., Apt. A, Columbus, Ohio 43229

[**] Term: 14 Years

[21] Appl. No.: 123,127

[22] Filed: Feb. 21, 1980

[51] Int. Cl. D19-02

[52] U.S. Cl. D19/91

[58] Field of Search D19/91; D6/180, 184; 40/341, 352, 353, 350; 248/441 R, 441 A, 442.2

[56] References Cited

U.S. PATENT DOCUMENTS

- D. 94,127 12/1934 Fitzgerald D19/91
- D. 103,601 3/1937 Slee D19/91
- D. 146,978 6/1947 Mack, Jr. D19/91

FOREIGN PATENT DOCUMENTS

- 1086525 6/1955 France 248/441 R
- 1396310 6/1975 United Kingdom 248/441 R

OTHER PUBLICATIONS

Office Products, 7/77, p. 68, "Kopy-Trac".

Primary Examiner—George P. Word
Attorney, Agent, or Firm—Robert E. Stebens

[57] CLAIM

The ornamental design for a typing copy holder, substantially as shown and described.

DESCRIPTION

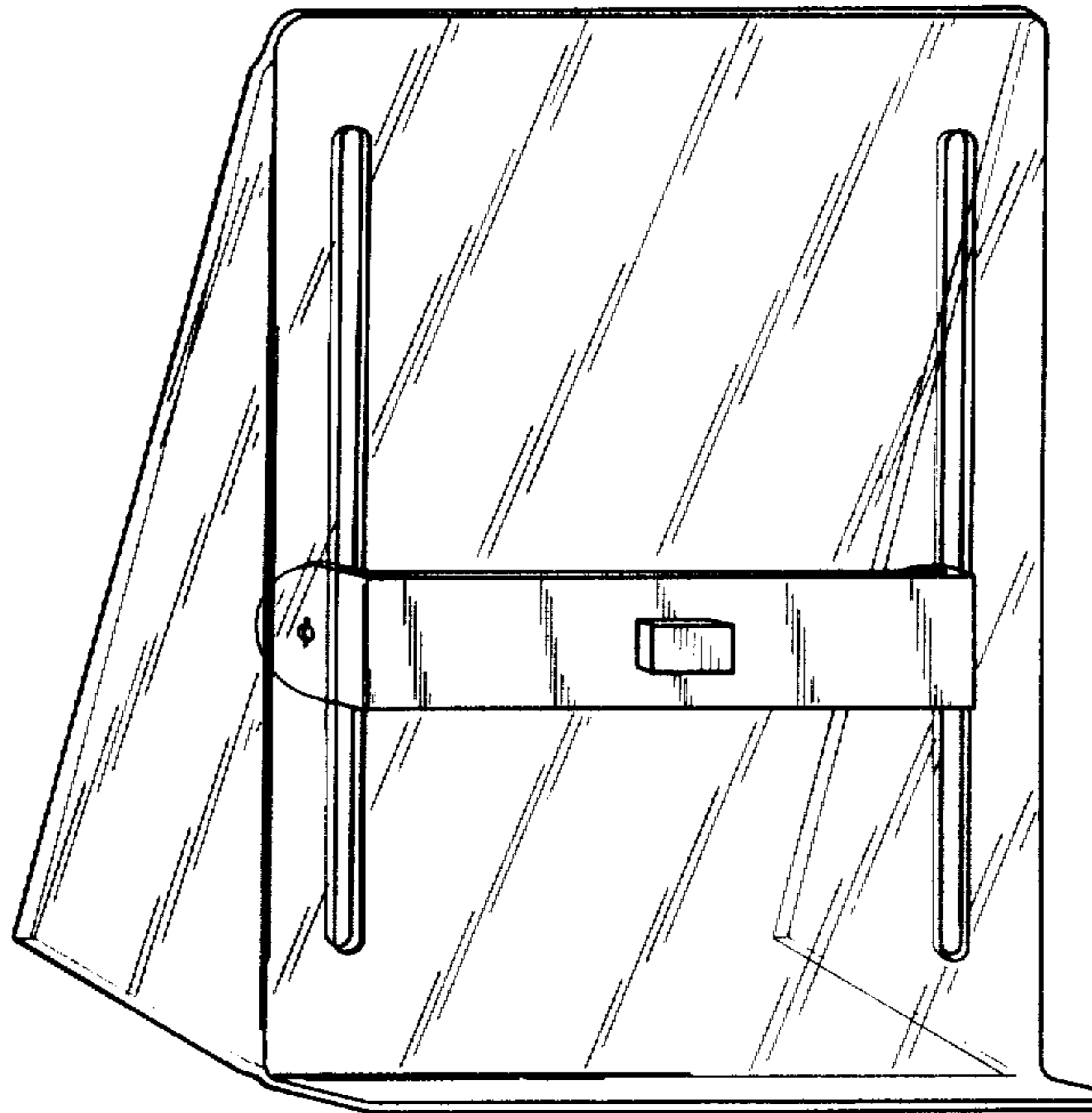
FIG. 1 is a perspective view of a typing copy holder showing my new design.

FIG. 2 is a left side elevational view thereof, the right side being a mirror image.

FIG. 3 is a top plan view thereof.

FIG. 4 is a bottom plan view thereof.

FIG. 5 is a rear elevational view thereof.



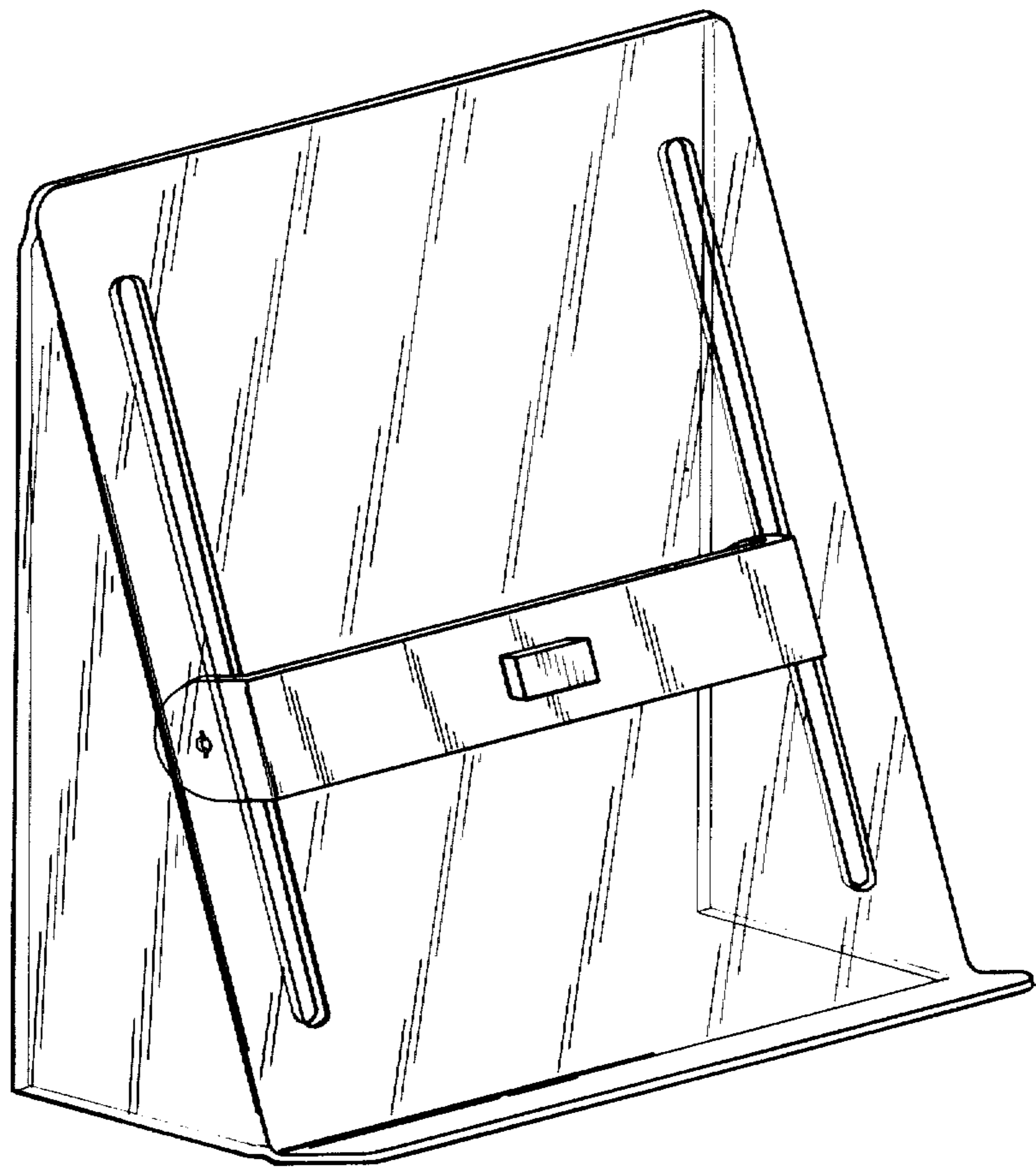


Fig. 1

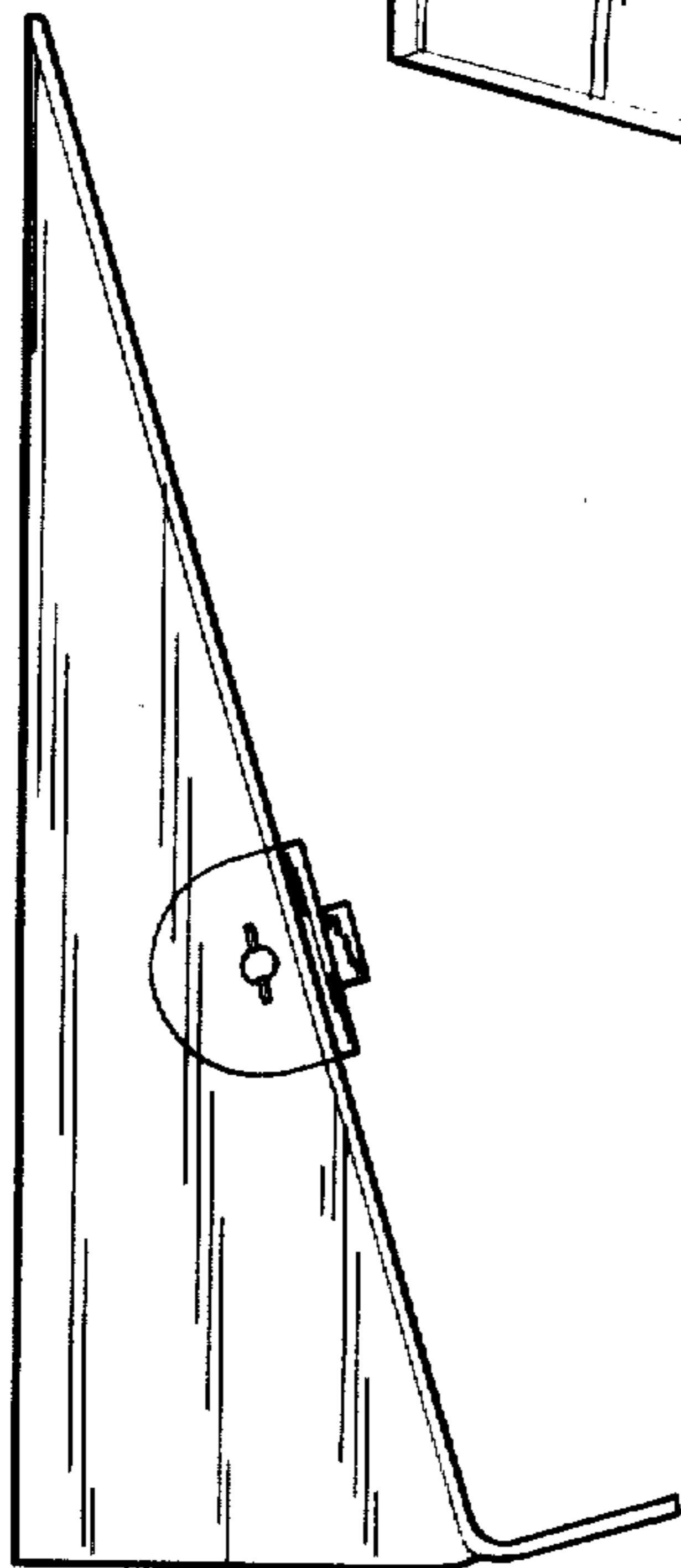


Fig. 2

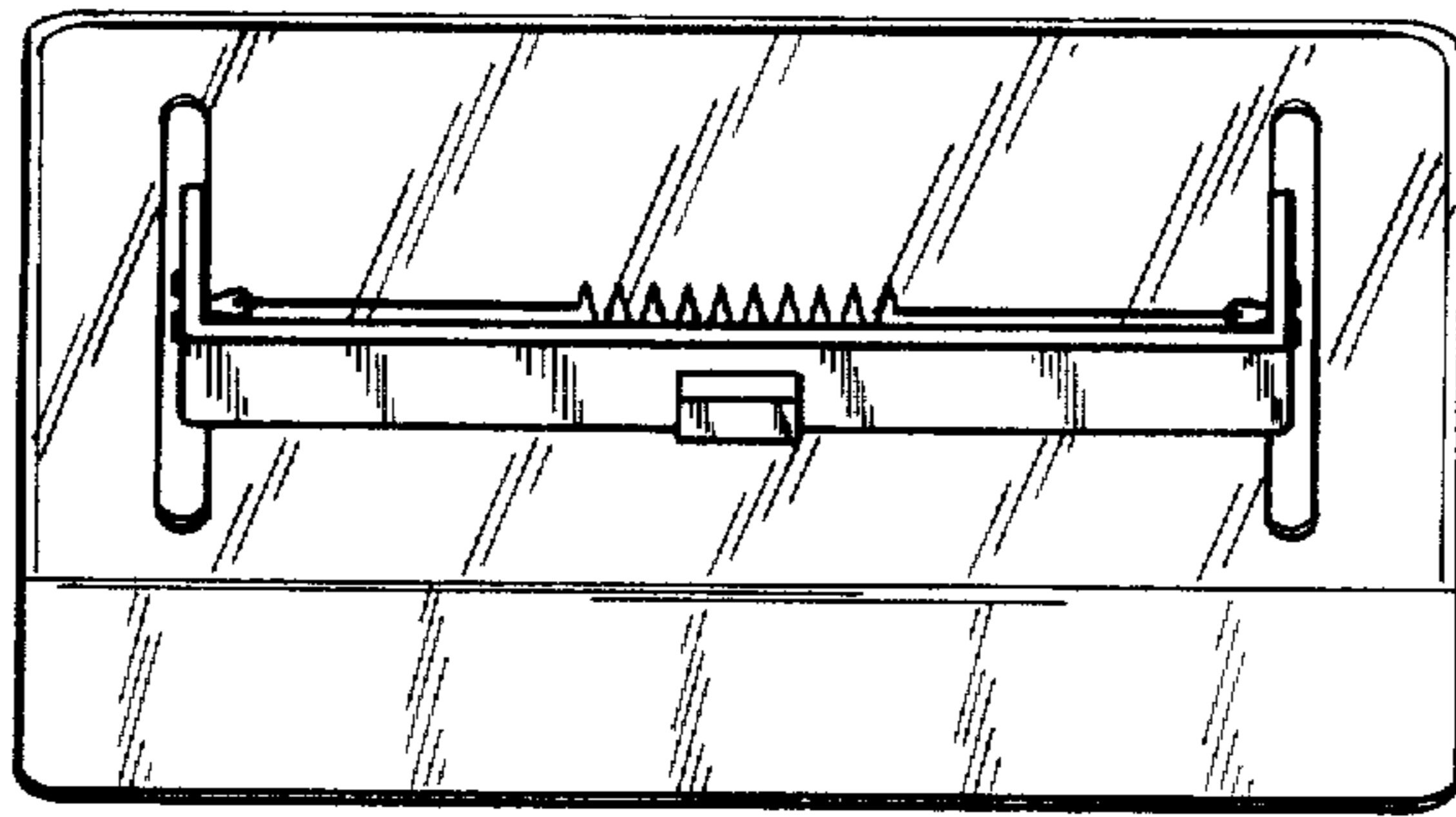


Fig. 3

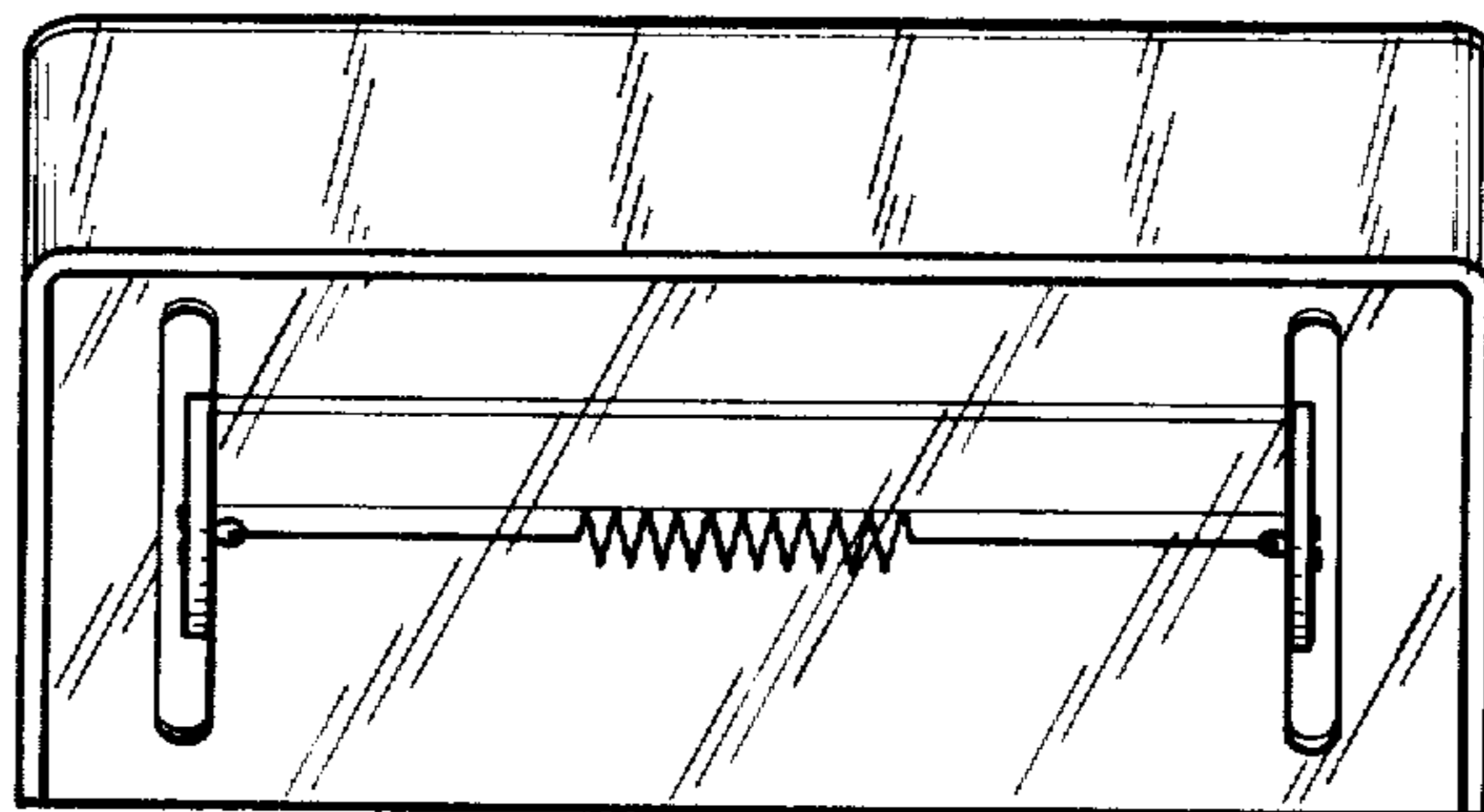


Fig. 4

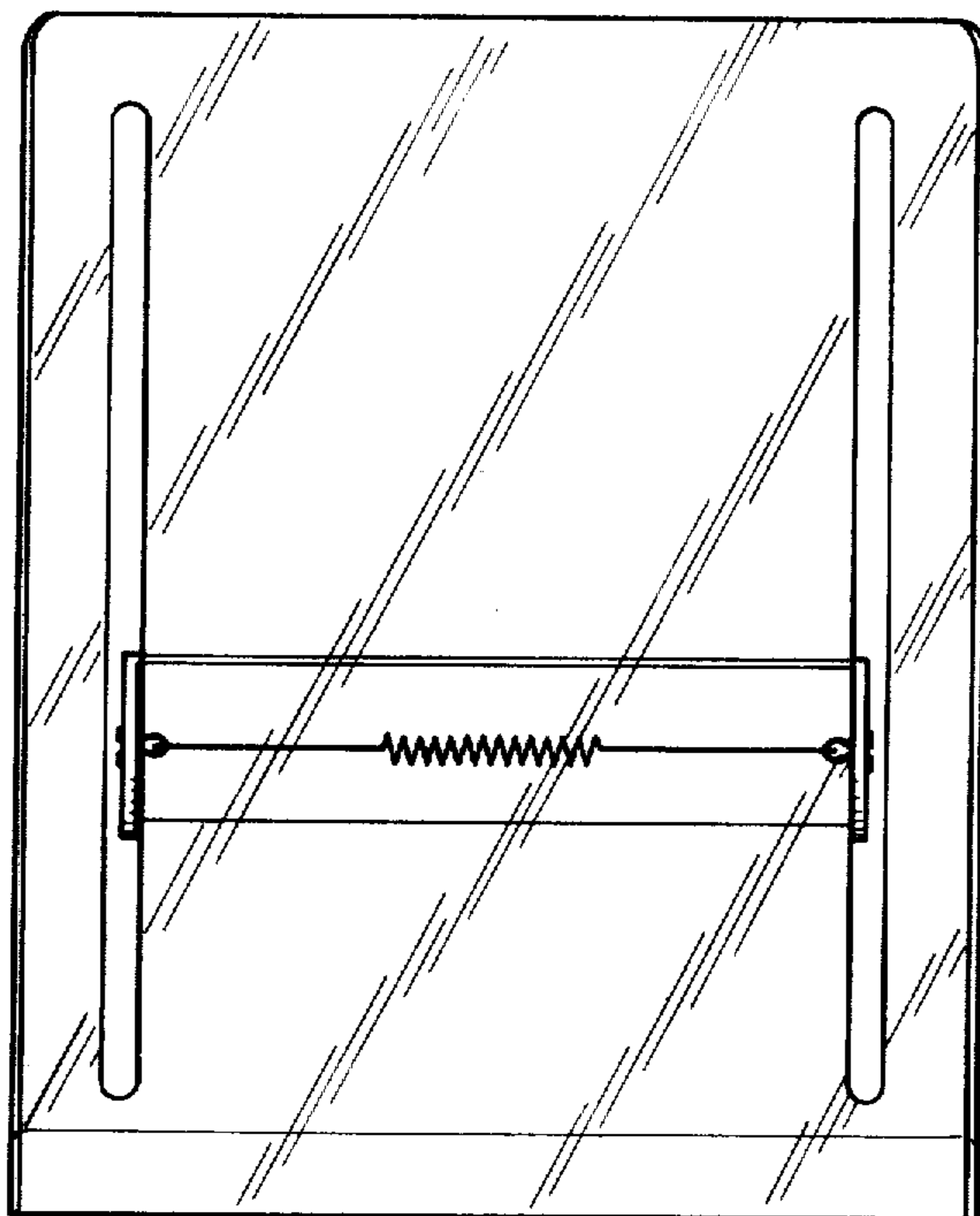


Fig. 5