

[54] MATERIALS AND TOOLS ORGANIZER FOR ARTS AND CRAFTS

[76] Inventor: Ethel A. Ferris, 712 Reid St., De Pere, Wis. 54115

[**] Term: 14 Years

[21] Appl. No.: 48,513

[22] Filed: Jun. 14, 1979

[51] Int. Cl. D19-02

[52] U.S. Cl. D19/75; D19/77

[58] Field of Search D19/22, 35, 65, 75, D19/77, 79, 85, 93, 95; D3/30; 206/216, 1.7; D28/61

[56] References Cited

U.S. PATENT DOCUMENTS

- D. 155,124 9/1949 Carver D19/22
- D. 170,627 10/1953 Caldwell et al. D19/75
- D. 172,063 4/1954 Steinmetz D19/75
- D. 250,823 1/1979 Theobald D19/77

Primary Examiner—George P. Word

[57] CLAIM

The ornamental design for a materials and tools organizer for arts and crafts, as shown.

DESCRIPTION

FIG. 1 is a perspective view of a materials and tools organizer for arts and crafts showing my new design; and FIG. 2 is a rear elevational view thereof.

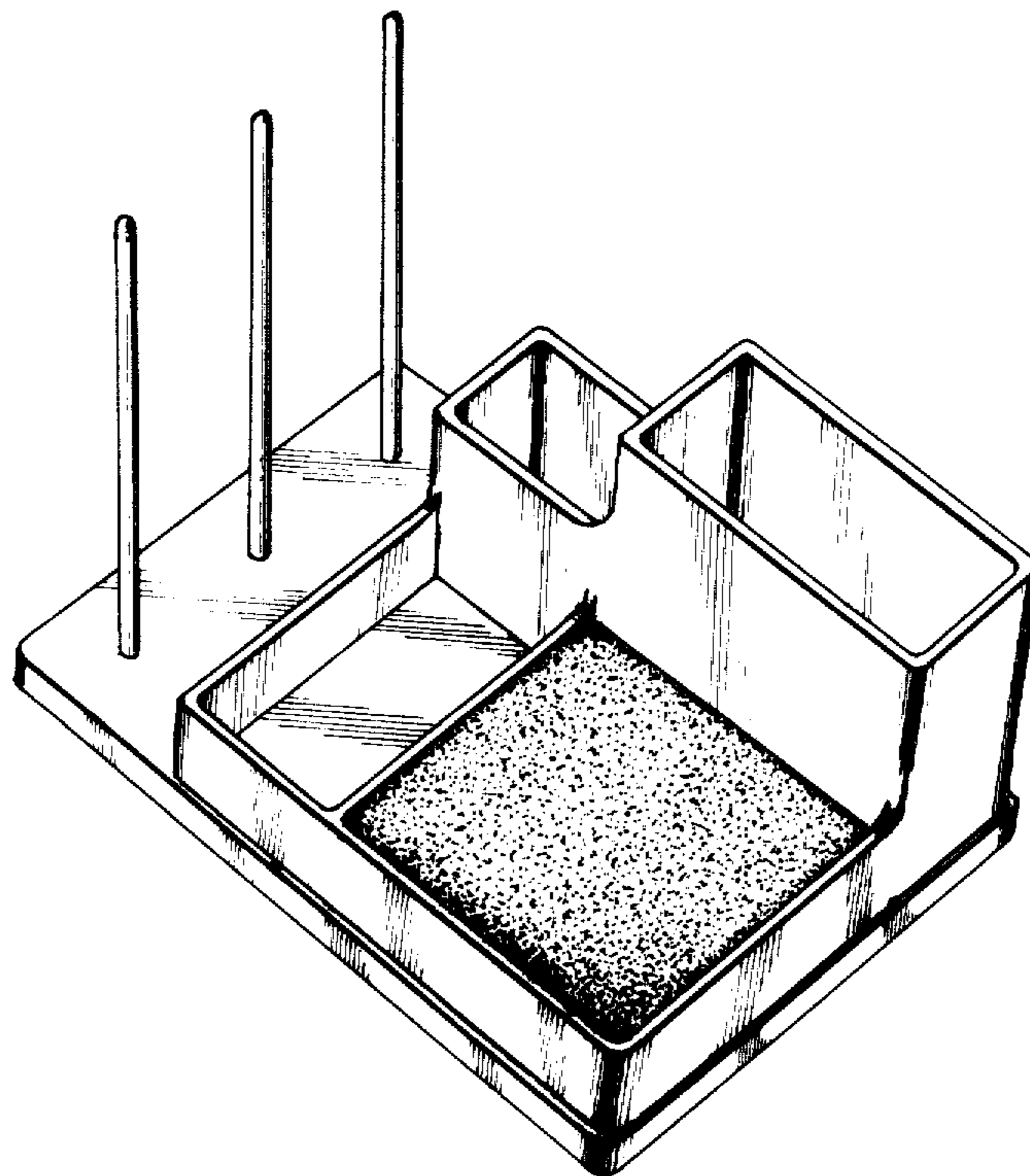


Fig. 1

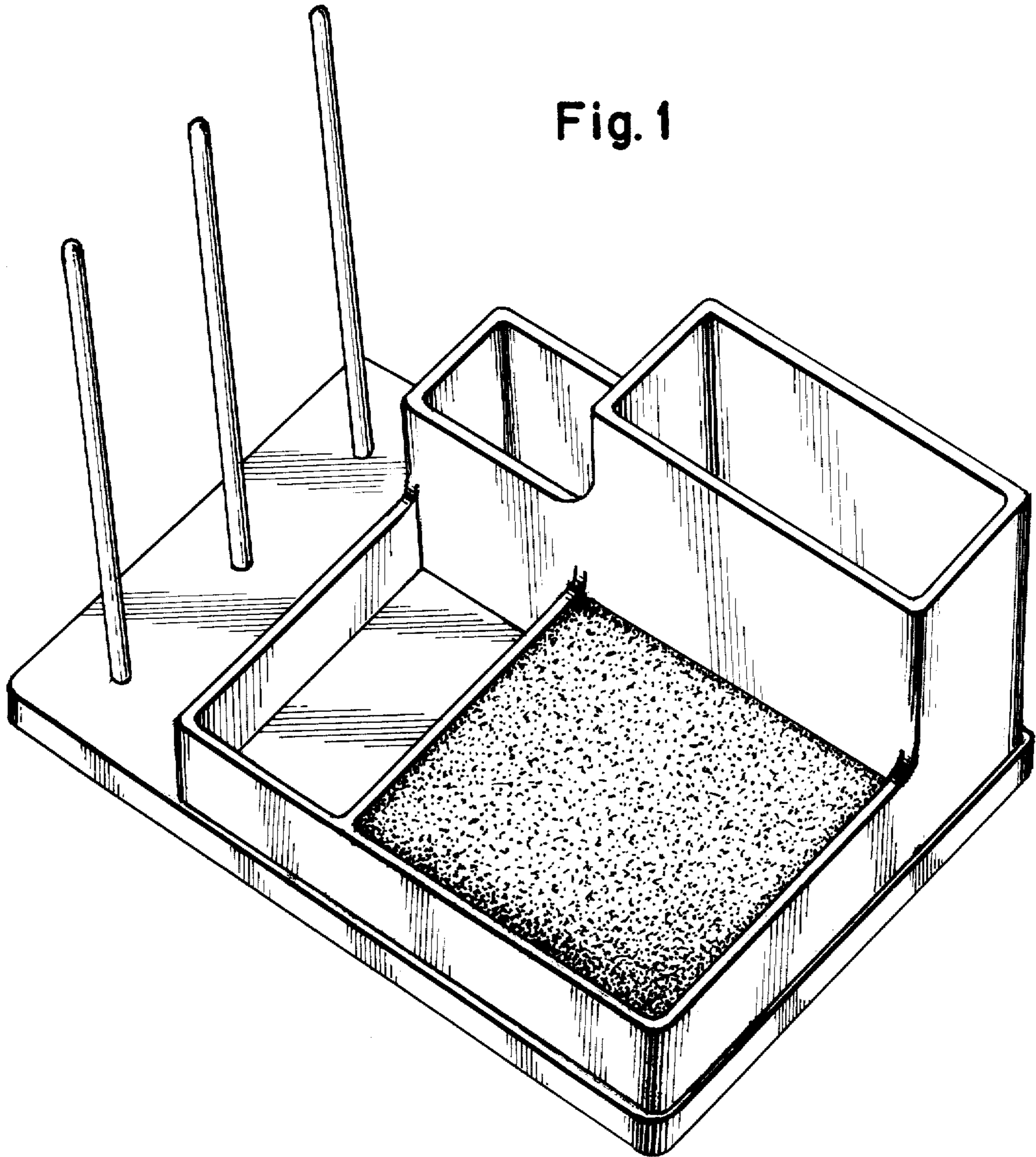


Fig. 2

