

[54] LETTERING SCRIBER

[75] Inventor: **Harald Koelichen, Jr.**, Geretsried,
Fed. Rep. of Germany
[73] Assignee: **Standardgraph Filler & Fiebig GmbH**,
Fed. Rep. of Germany

[**] Term: **14 Years**

[21] Appl. No.: **33,029**

[22] Filed: **Apr. 24, 1979**

[30] Foreign Application Priority Data

Oct. 31, 1978 [DE] Fed. Rep. of Germany 113943

[51] Int. Cl. **D19-06**
[52] U.S. Cl. **D19/41**
[58] Field of Search D19/35, 36, 38, 41,
D19/54, 55; 33/18 R, 18 B, 23 H, 41 B, 32 C,
23 D; 401/48

[56] References Cited

U.S. PATENT DOCUMENTS

2,050,058 8/1936 Keuffel 33/23 D
3,396,469 8/1968 Brott 33/23 D
4,095,906 6/1978 Sackett 401/48
4,111,566 9/1978 Kenwell 401/48

Primary Examiner—George P. Word
Attorney, Agent, or Firm—Ostrolenk, Faber, Gerb &
Soffen

[57] CLAIM

The ornamental design for a lettering scriber, as shown.

DESCRIPTION

FIG. 1 is a front elevational view of a lettering scriber showing my new design; FIG. 2 is a top plan view thereof; FIG. 3 is a bottom plan view thereof; FIG. 4 is a left end elevational view thereof; FIG. 5 is a rear elevational view thereof; and FIG. 6 is a right end elevational view thereof.

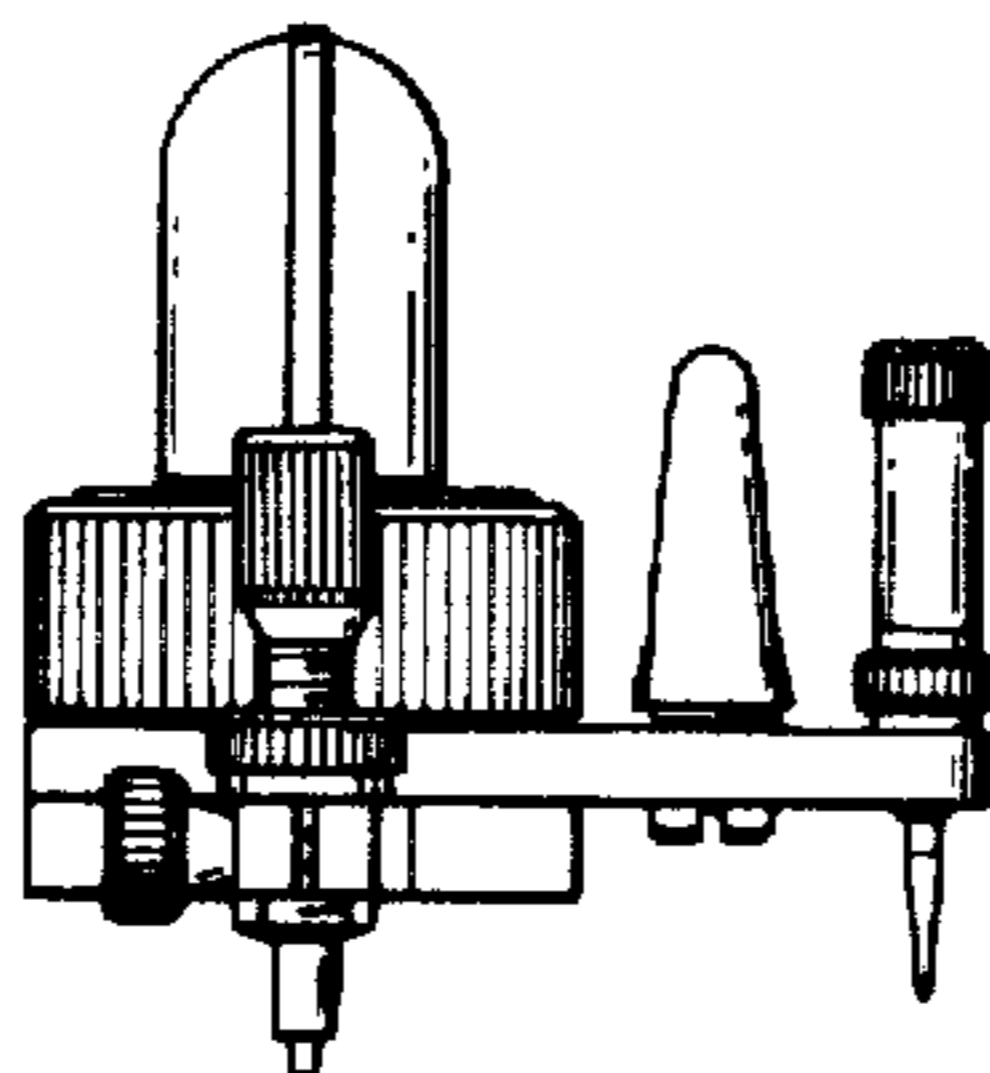
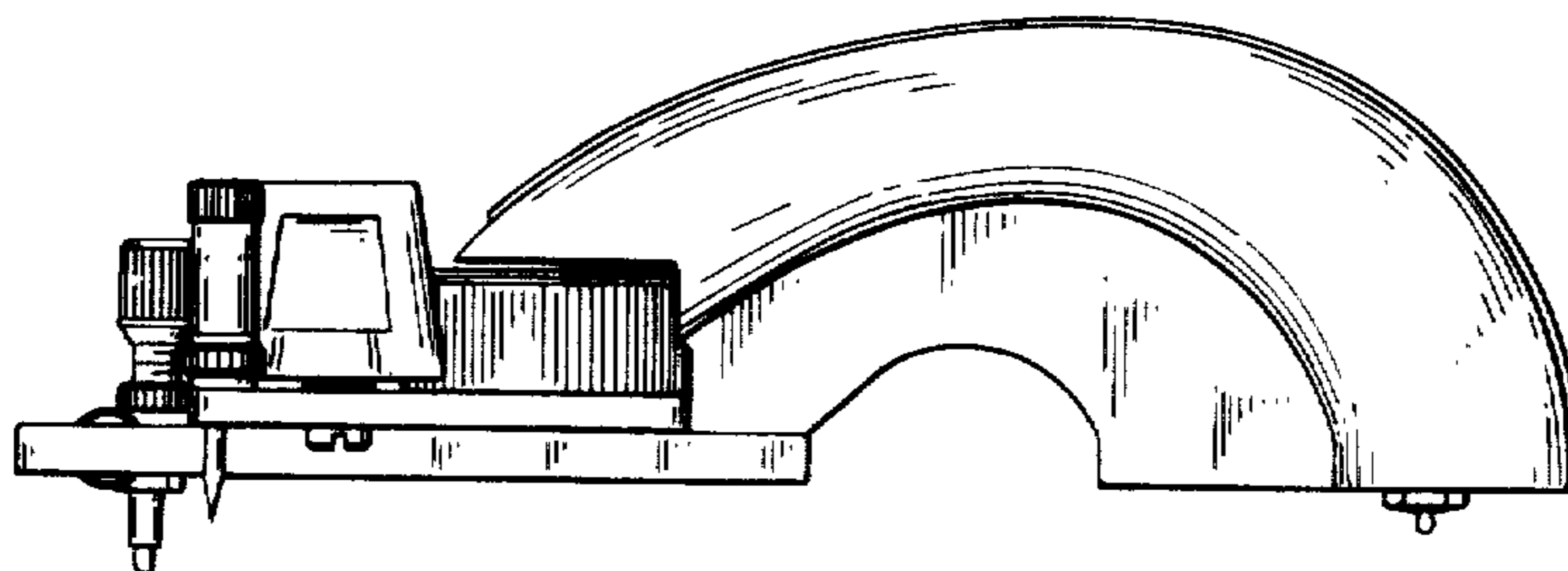


Fig.1

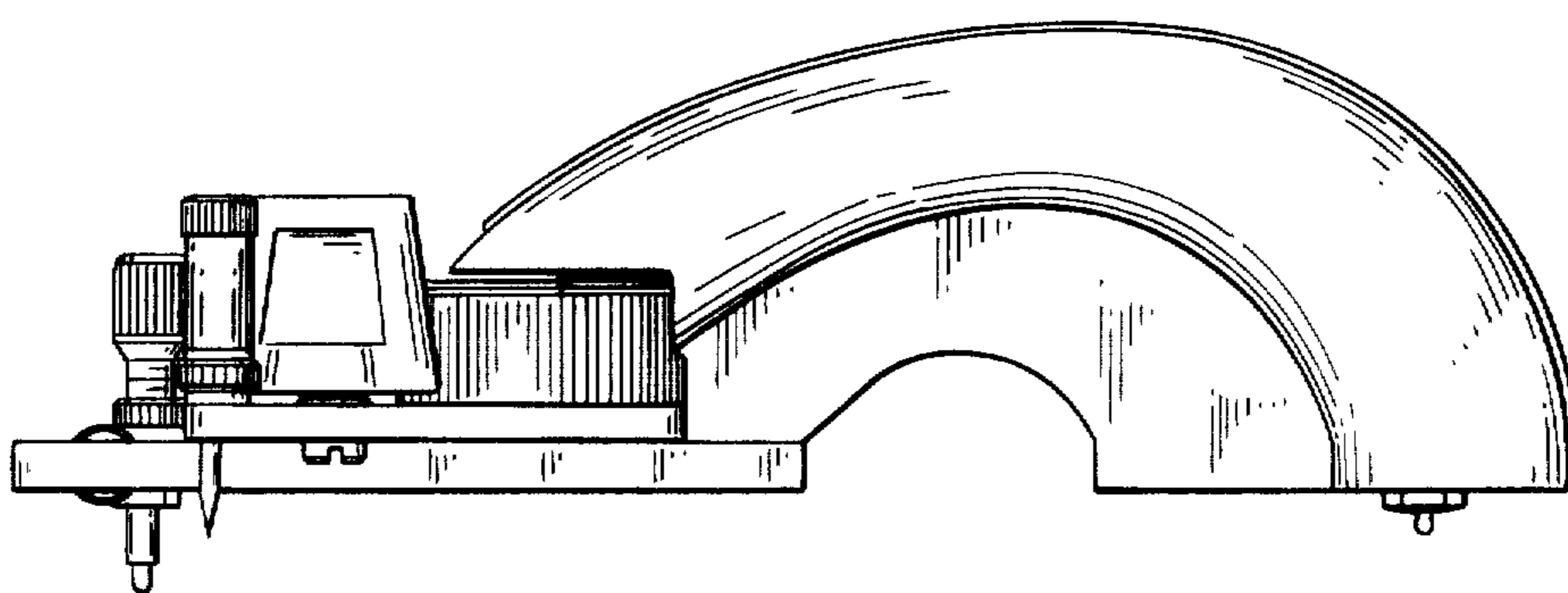


Fig. 4

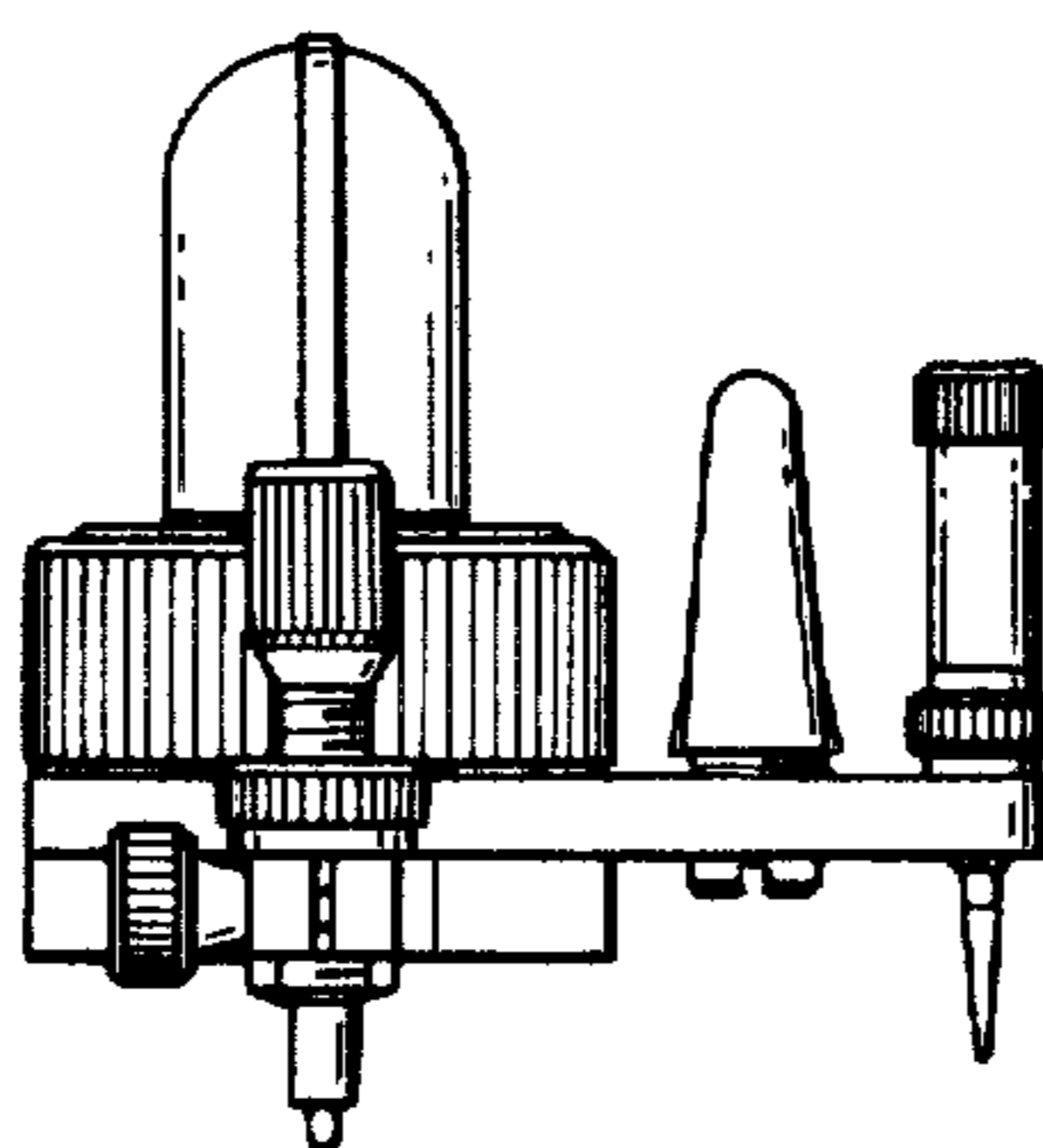


Fig. 2

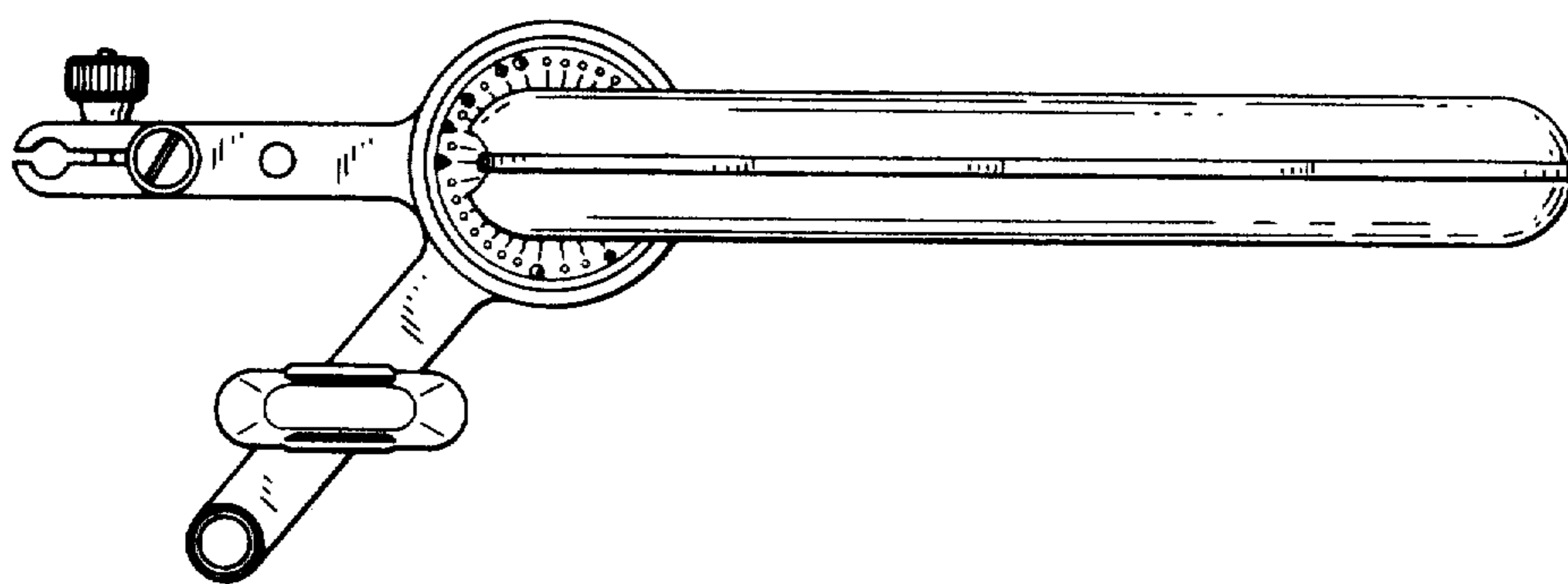


Fig. 3

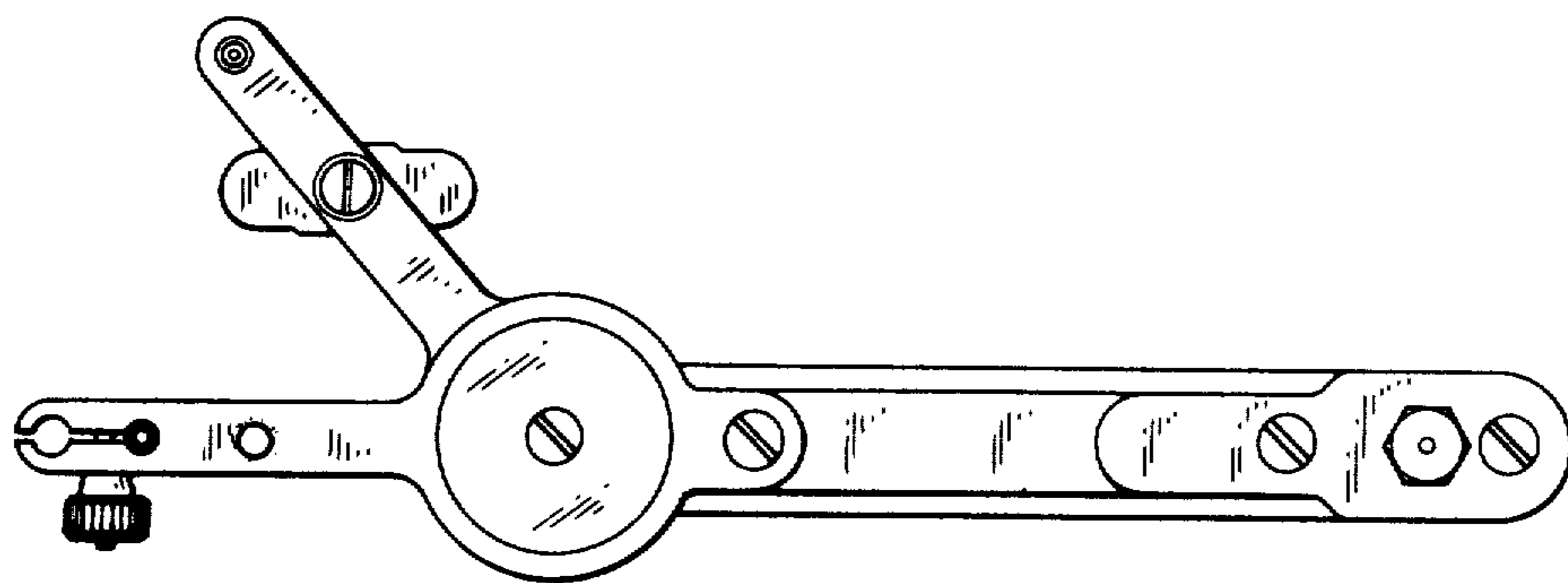


Fig.5

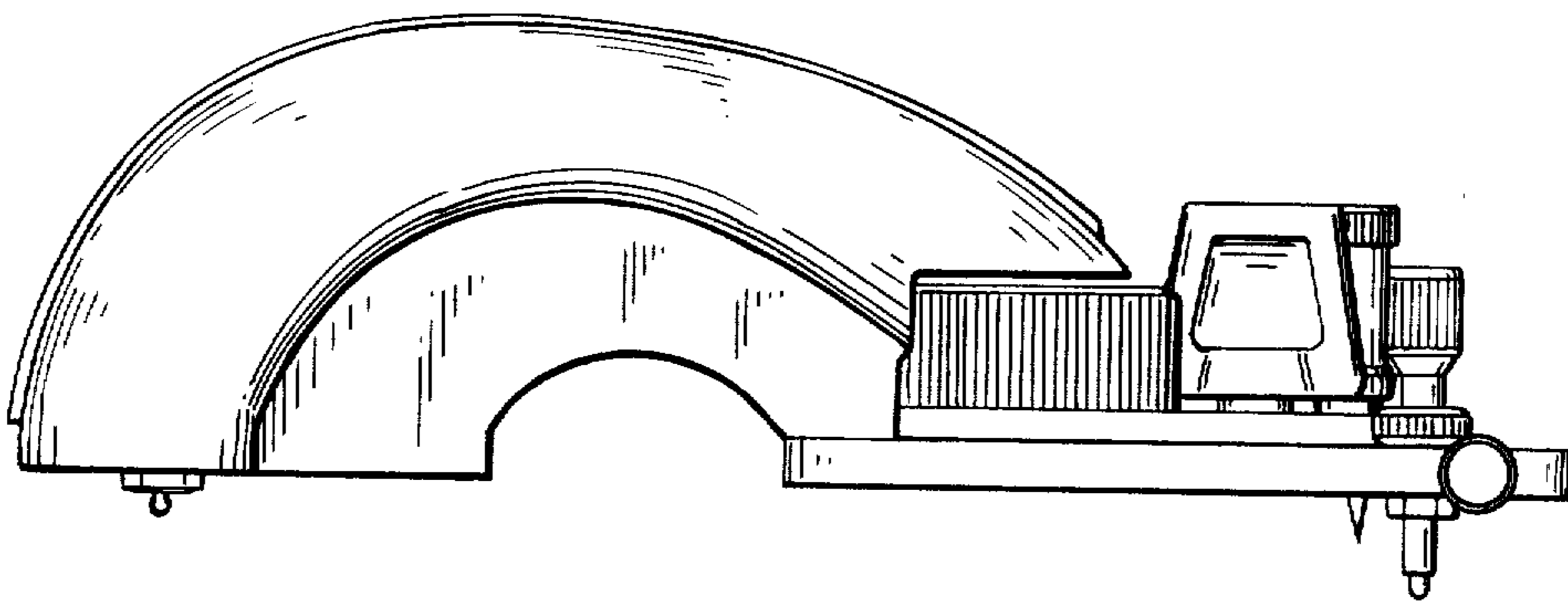


Fig.6

