

[54] GASOLINE DISPENSER

[75] Inventors: George D. Robinson, Jr.; Angelo M. Lacivita; Robert T. Day, Jr., all of Greensboro, N.C.; Charles C. Keane, Weymouth, Mass.

[73] Assignee: Gilbert & Barker Manufacturing Co., Inc., Greensboro, N.C.

[\*\*] Term: 14 Years

[21] Appl. No.: 157,084

[22] Filed: Jun. 6, 1980

[51] Int. Cl. .... D15-02

[52] U.S. Cl. .... D15/9.2

[58] Field of Search ..... D15/9.1, 9.2, 9.3; D25/1, 3, 33, 56; 40/505; 137/234.6; 194/3, 13; 222/23-28, 35; 235/94 R, 94 A; 346/44

[56] References Cited

U.S. PATENT DOCUMENTS

- D. 168,144 11/1952 Cooper et al. .... D25/33
- D. 206,862 2/1967 Shotmeyer .... D25/3
- D. 252,994 9/1979 Pettingill .... D15/9.2

Primary Examiner—Leland A. Sebastian

[57] CLAIM

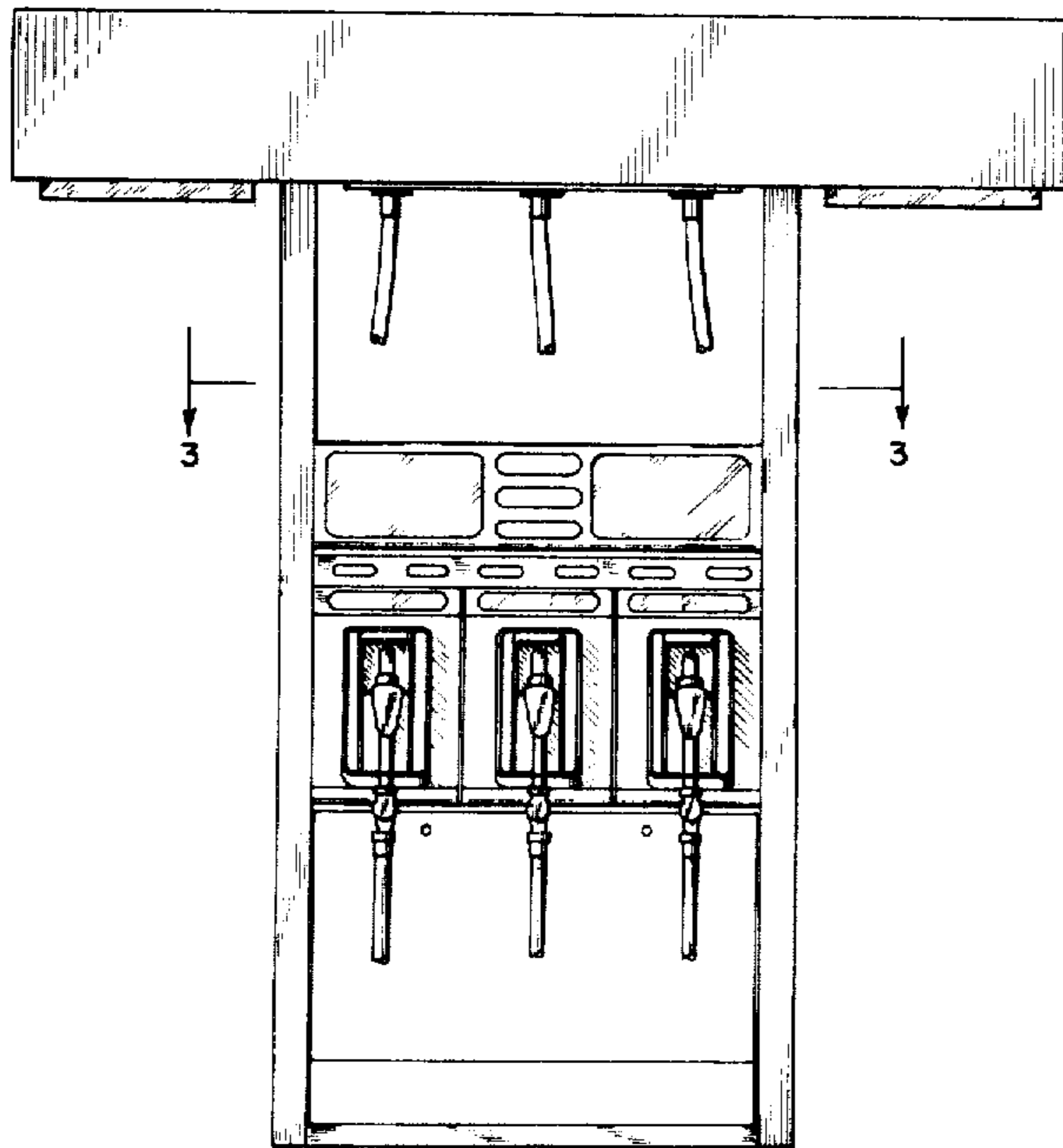
The ornamental design for a gasoline dispenser, as shown and described.

DESCRIPTION

FIG. 1 is a front elevational view of a gasoline dispenser showing our new design with the hose portion broken away for convenience of illustration, the rear being identical thereto;

FIG. 2 is a right side elevational view with the hose portion broken away for convenience of illustration, the left side being identical thereto; and,

FIG. 3 is a top transverse view along line 3—3 of FIG. 1.



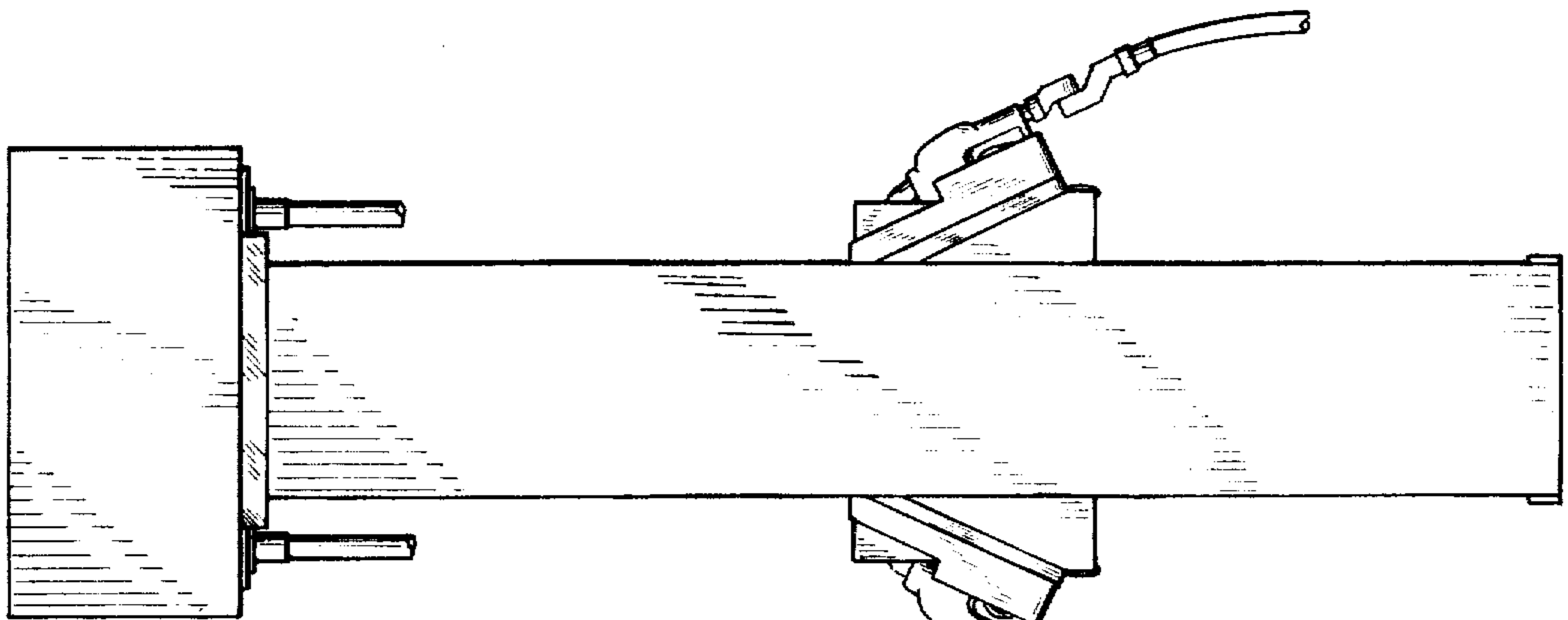


FIG. 2

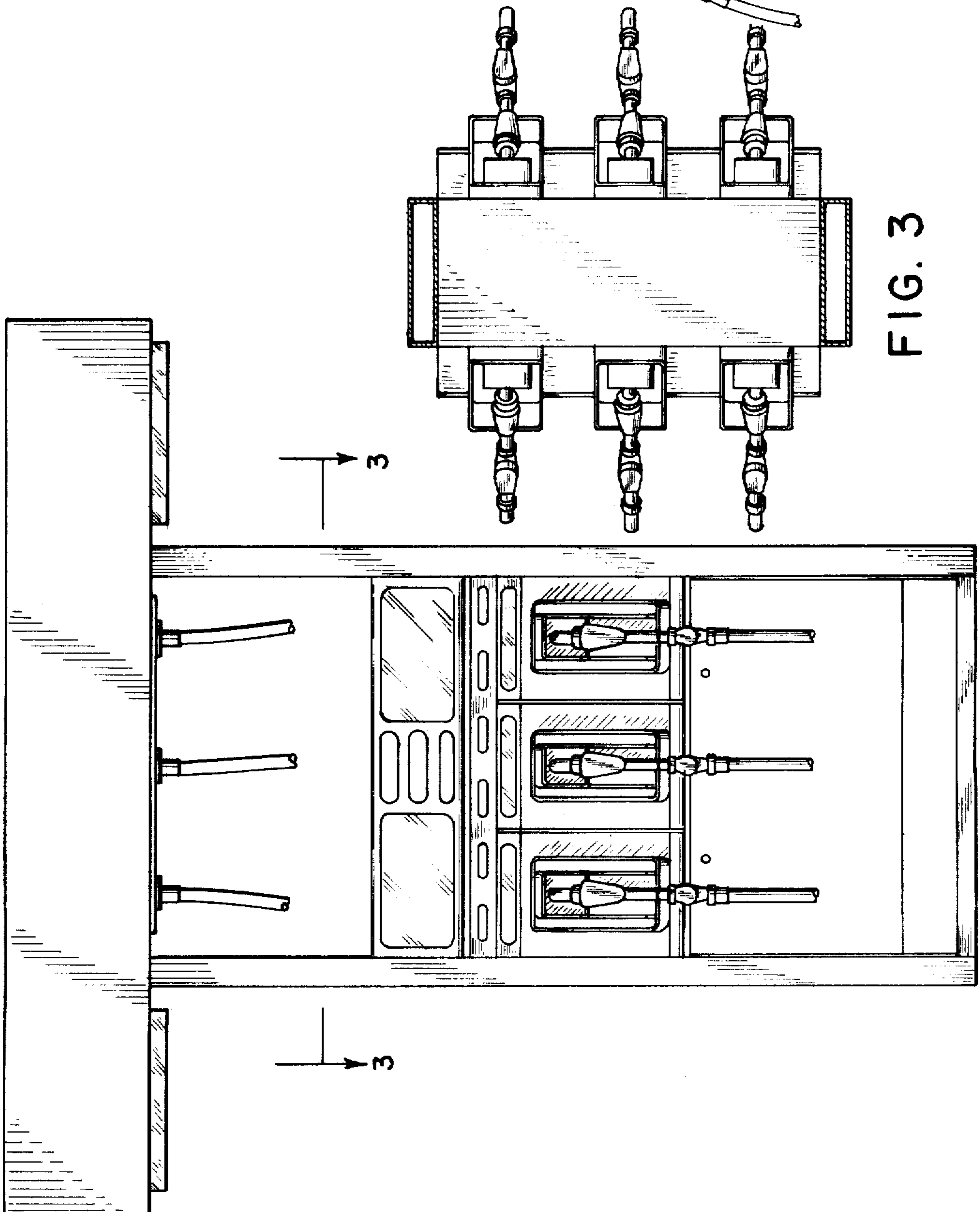


FIG. 1

FIG. 3