

- [54] CLIP-ON HEAT SINK FOR ELECTRONIC DEVICES
- [75] Inventor: Alfred F. McCarthy, Belmont, N.H.
- [73] Assignee: Aavid Engineering, Inc., Laconia, N.H.
- [**] Term: 14 Years
- [21] Appl. No.: 75,958
- [22] Filed: Sep. 17, 1979
- [51] Int. Cl. D13-03
- [52] U.S. Cl. D13/23
- [58] Field of Search D13/23; 174/16 HS; 165/80, 8 A, 8 B; 357/81

Primary Examiner—Susan J. Lucas
Attorney, Agent, or Firm—James E. Mrose

[57] CLAIM

The ornamental design for a clip-on heat sink for electronic devices, substantially as shown.

DESCRIPTION

FIG. 1 is a perspective view of a clip-on heat sink for electronic devices showing my new design, the broken lines being shown for illustrative purposes only;

FIG. 2 is a front elevational view of the same heat sink;

FIG. 3 is a rear elevational view thereof;

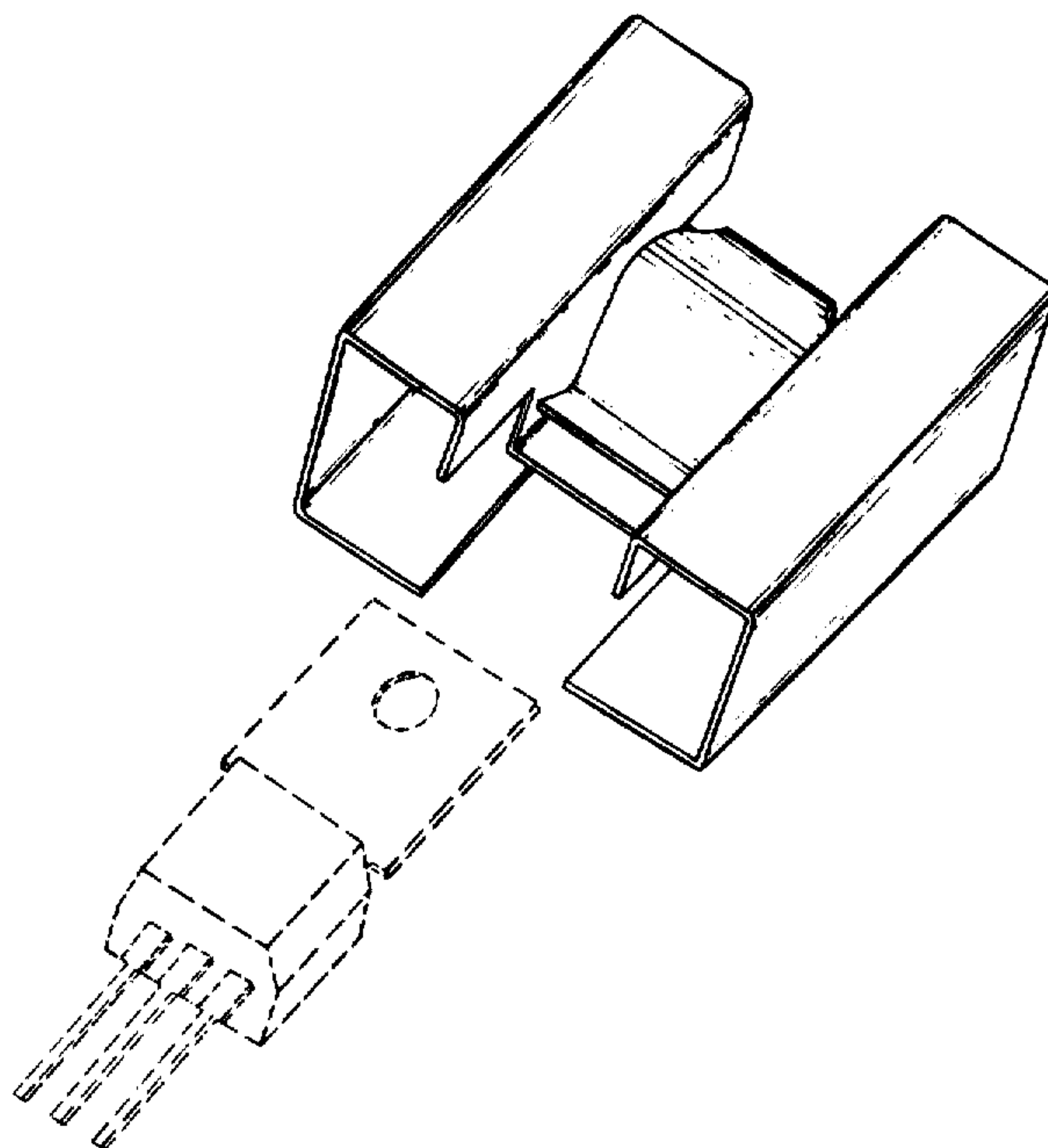
FIG. 4 is a side elevational view thereof, looking toward the right side of the heat sink as it is shown in FIG. 1;

FIG. 5 is a side elevational view thereof, looking toward the left side of the heat sink as it is shown in FIG. 1;

FIG. 6 is a top plan view thereof; and

FIG. 7 is a bottom plan view thereof.

- [56] References Cited
- U.S. PATENT DOCUMENTS
- 3,548,927 12/1970 Spurling 165/80 B
- 3,893,161 7/1975 Pesak, Jr. 357/81
- 4,012,769 3/1977 Edwards et al. 357/81



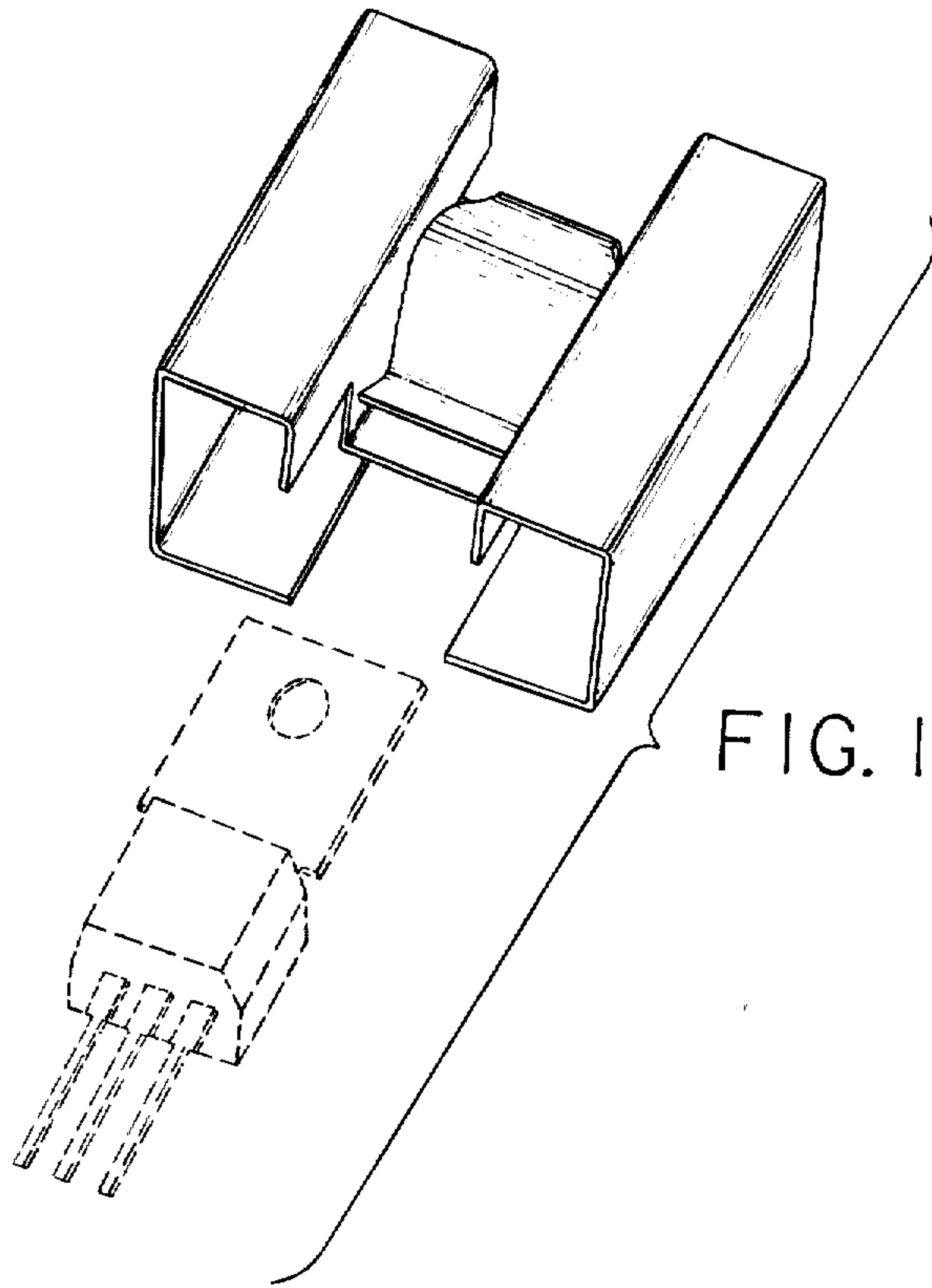


FIG. 1

FIG. 2

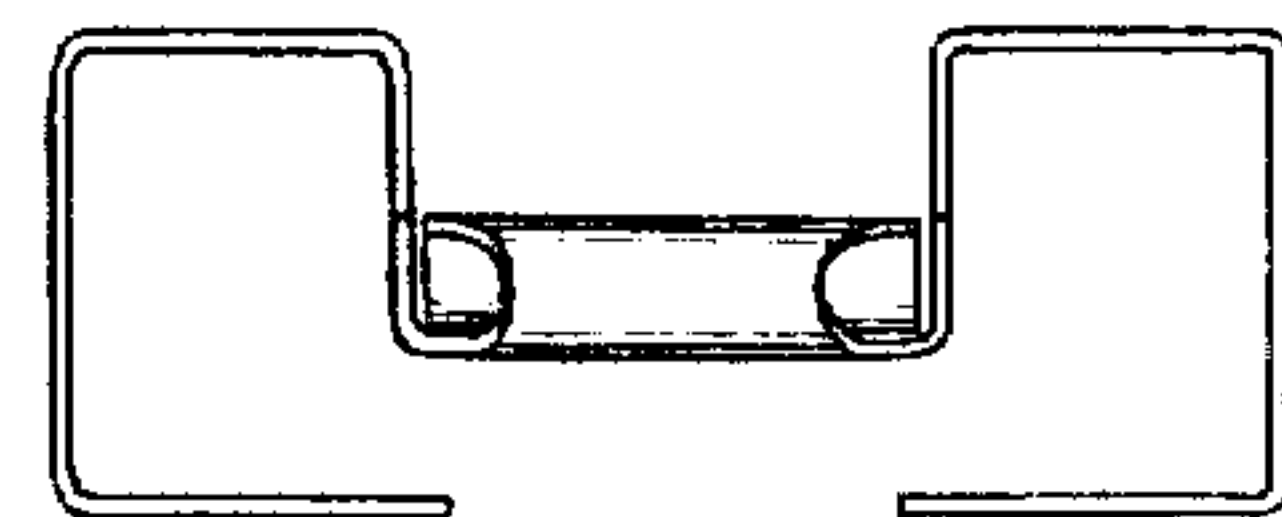
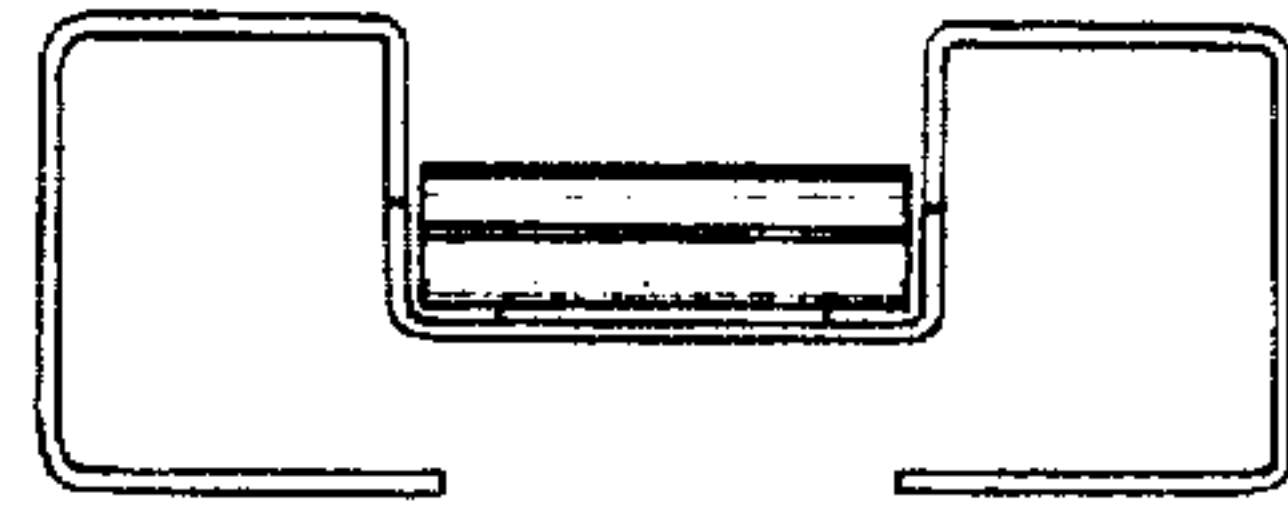


FIG. 3

FIG. 4

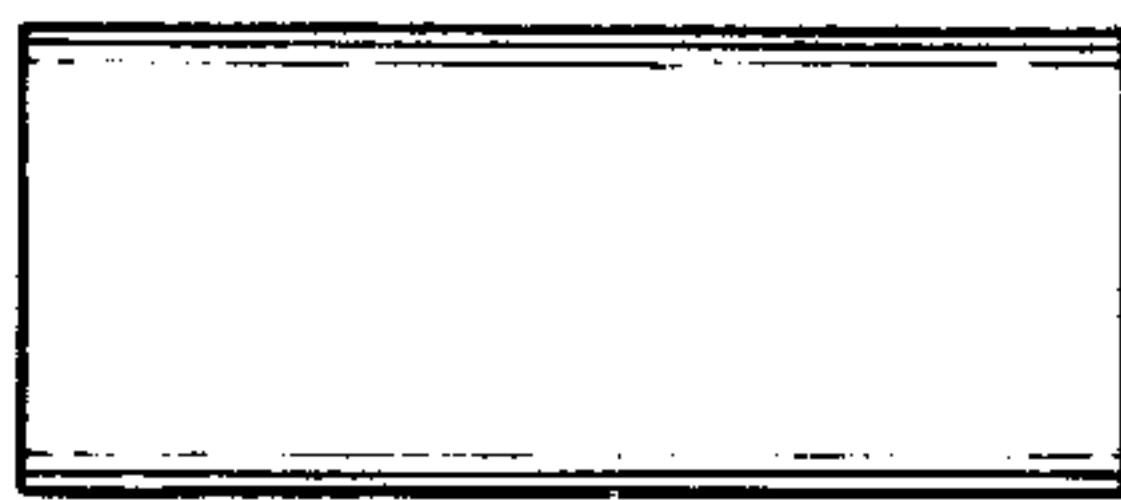


FIG. 5

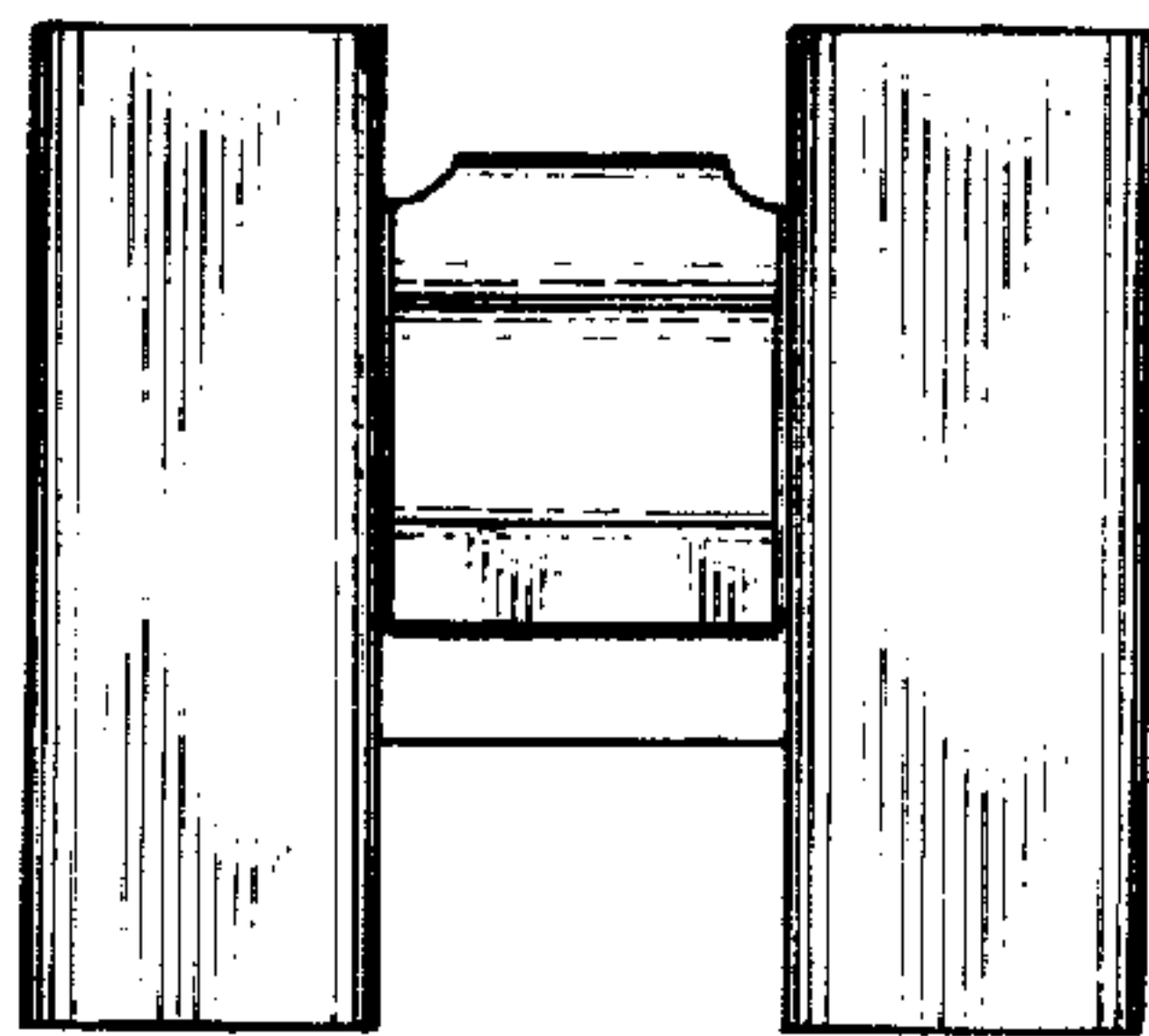


FIG. 6

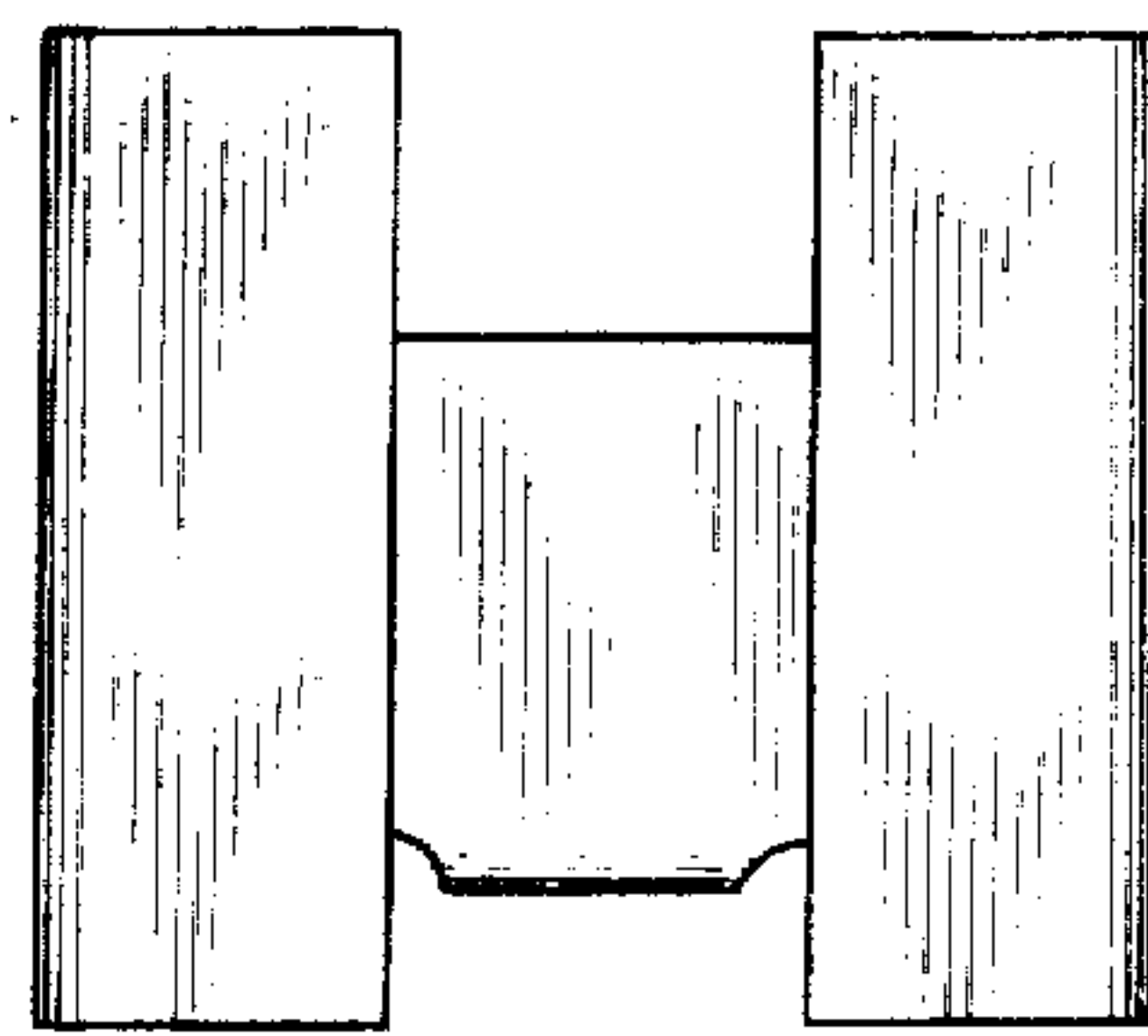


FIG. 7