

[54] MOTORCYCLE ENCLOSURE

[56] References Cited

U.S. PATENT DOCUMENTS

[76] Inventor: Royal J. Harmer, 2515 Arlington Ave., Torrance, Calif. 90501

D. 245,077 7/1977 Newell D12/110
D. 245,838 9/1977 Messinger D12/156

[**] Term: 14 Years

Primary Examiner—James M. Gandy
Attorney, Agent, or Firm—Ralph B. Pastoriza

[21] Appl. No.: 956,069

[57] CLAIM

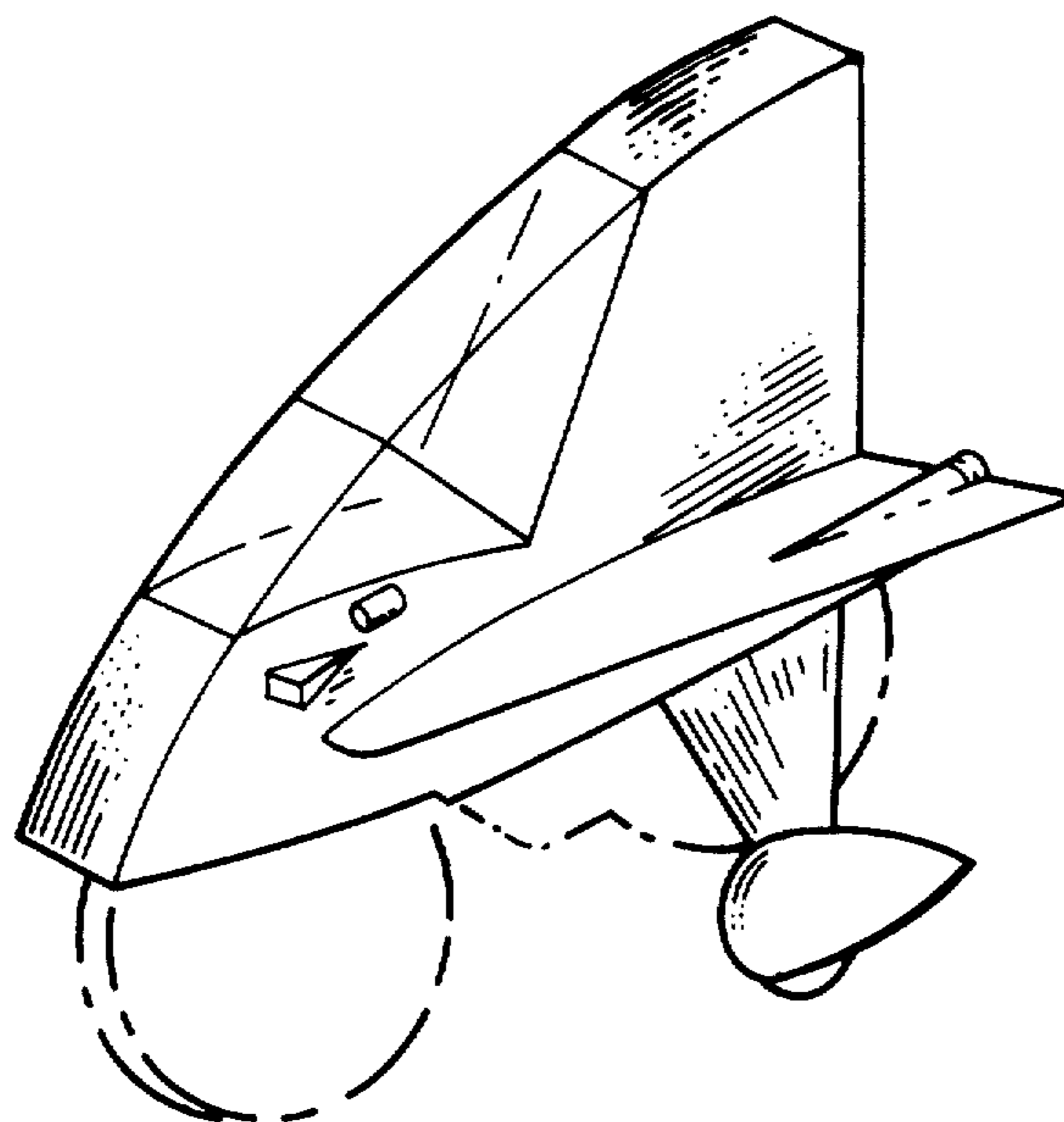
The ornamental design for a motorcycle enclosure, substantially as shown.

[22] Filed: Oct. 30, 1978

DESCRIPTION

[51] Int. Cl. D12—11
[52] U.S. Cl. D12/156
[58] Field of Search D12/110, 156; 296/78.1; 180/219, 218

FIG. 1 is a perspective view of a motorcycle enclosure showing my new design;
FIG. 2 is a side elevational view thereof;
FIG. 3 is a rear elevational view thereof;
FIG. 4 is a top plan view thereof;
FIG. 5 is a front elevational view thereof; and,
FIG. 6 is a bottom plan view thereof.



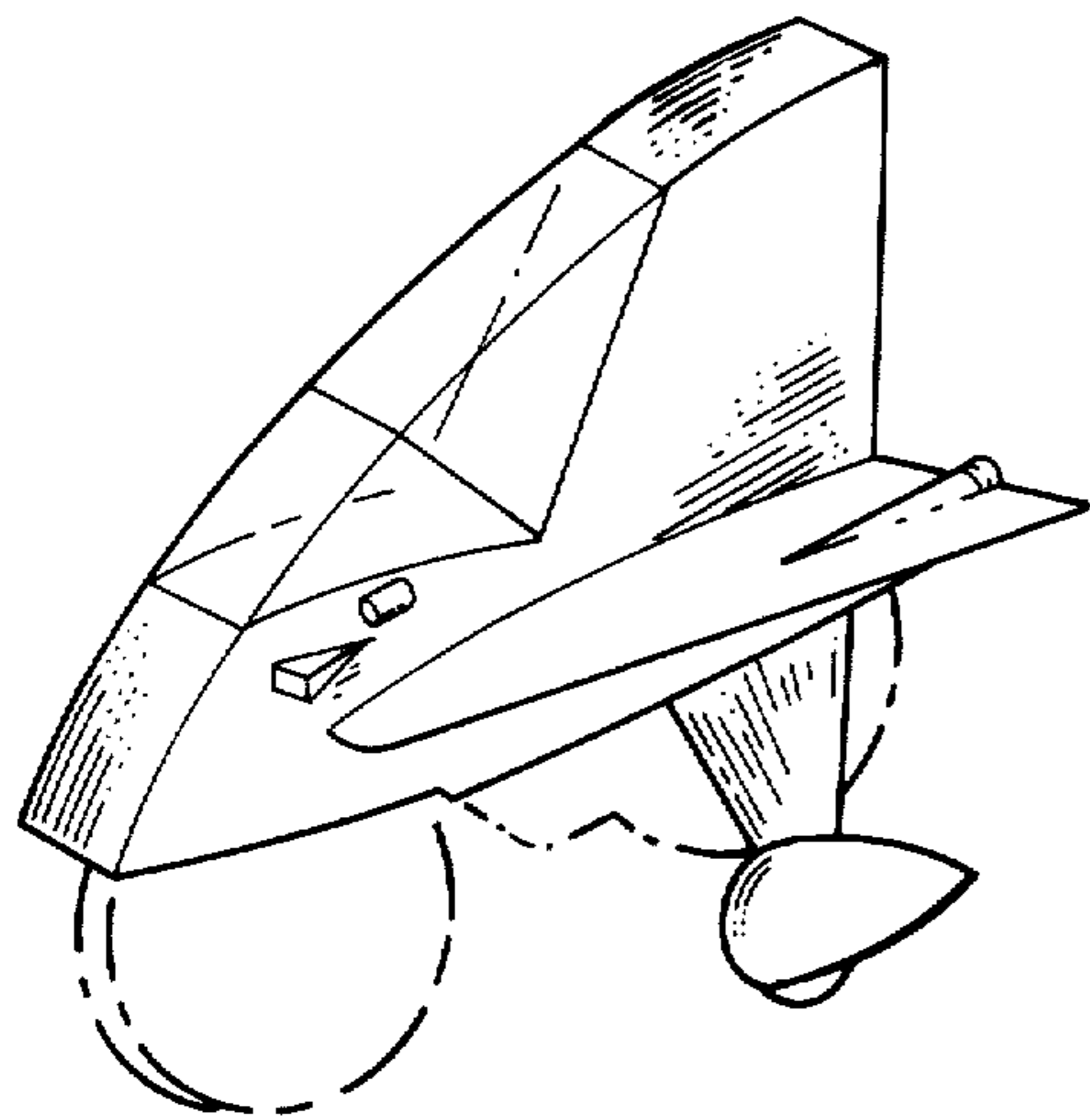


FIG. 1

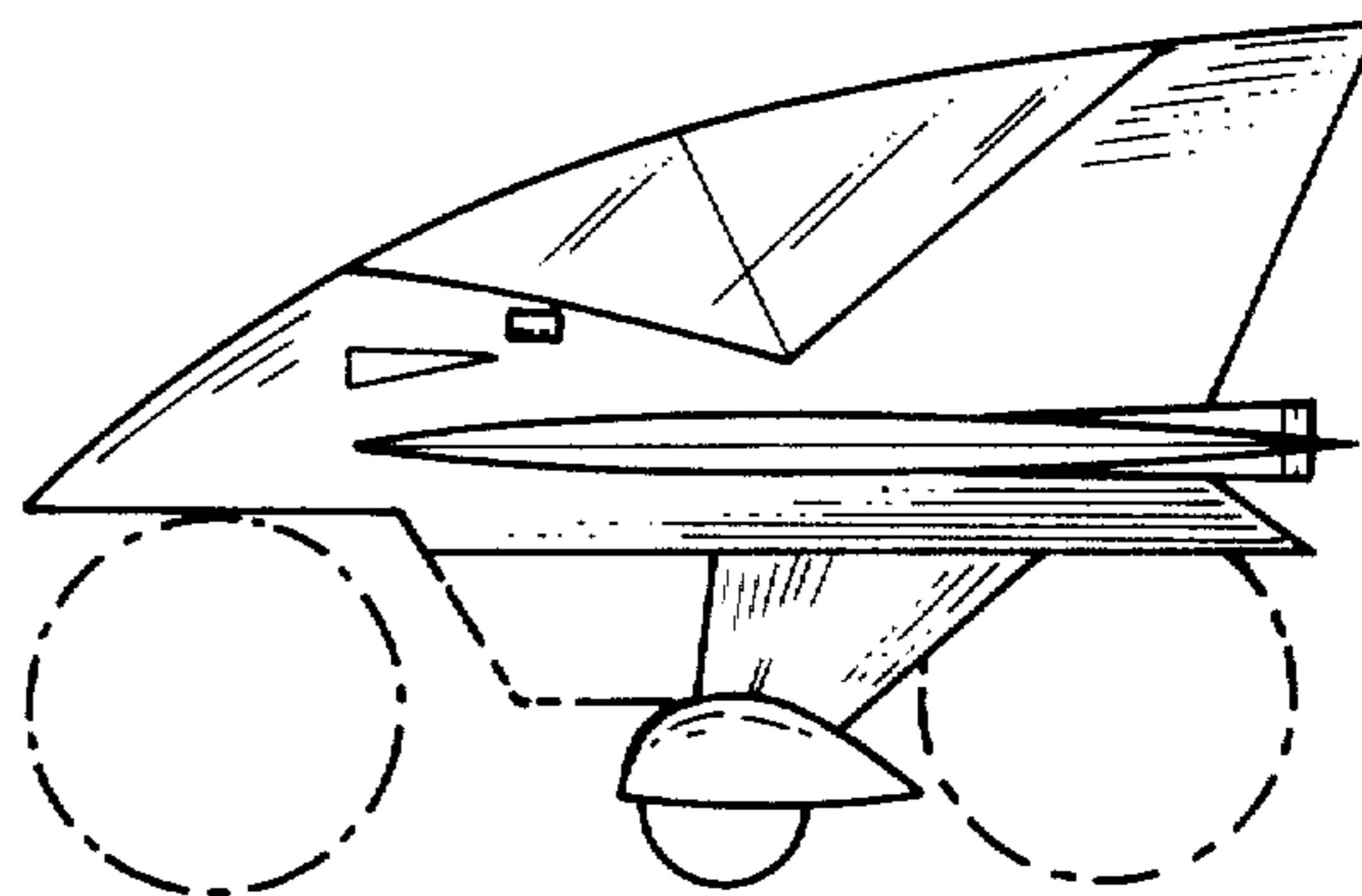


FIG. 2

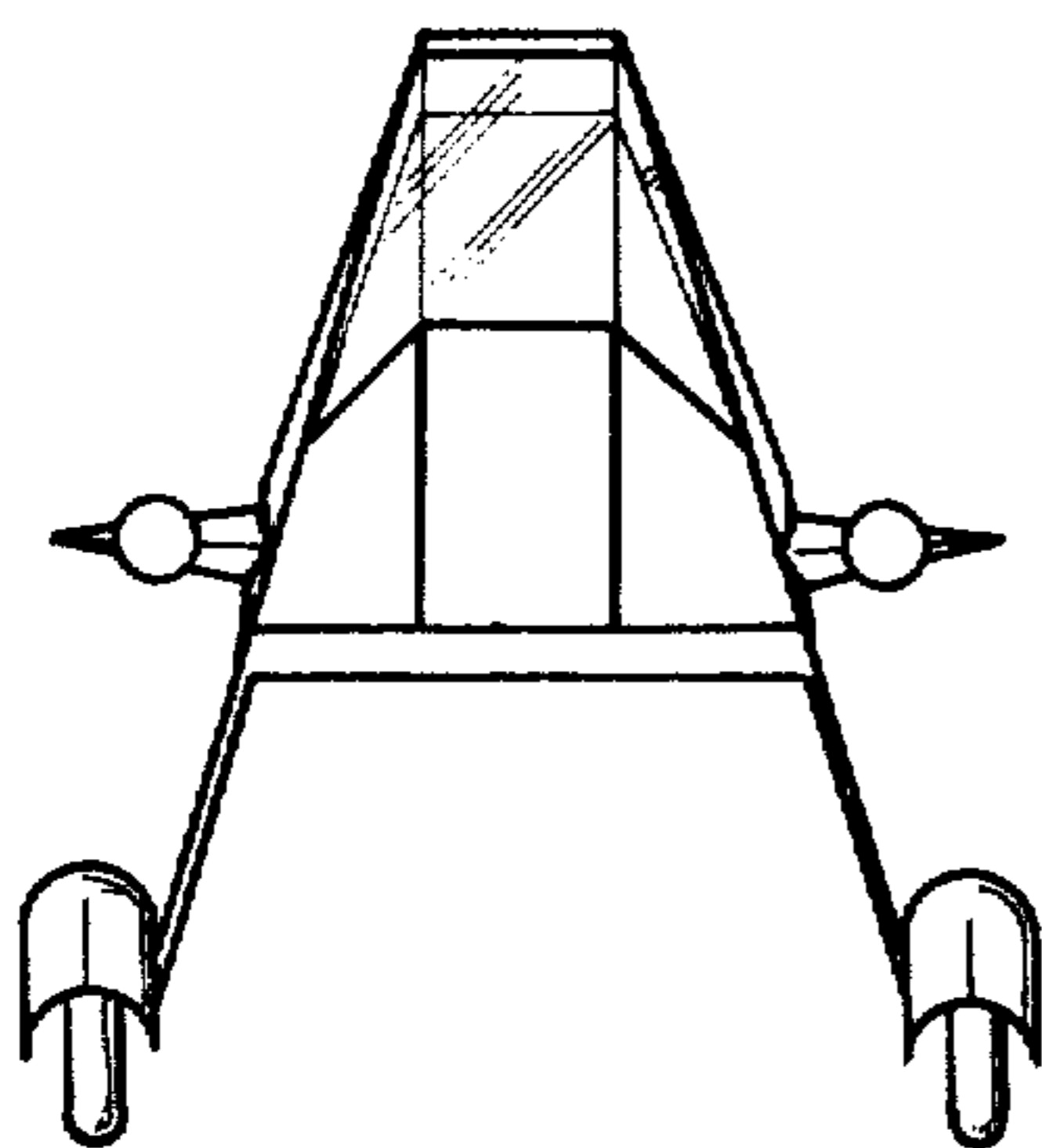


FIG. 3

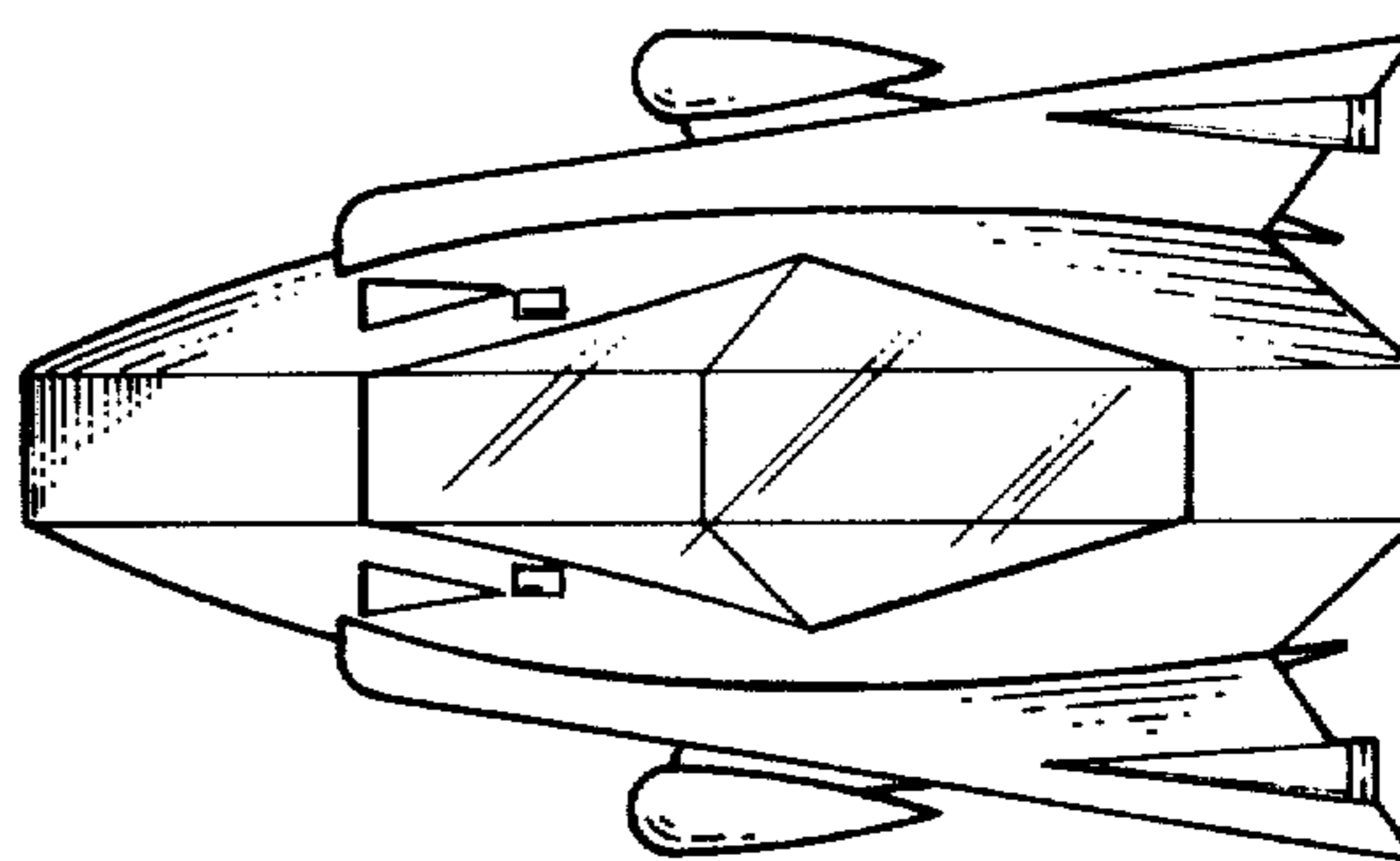


FIG. 4

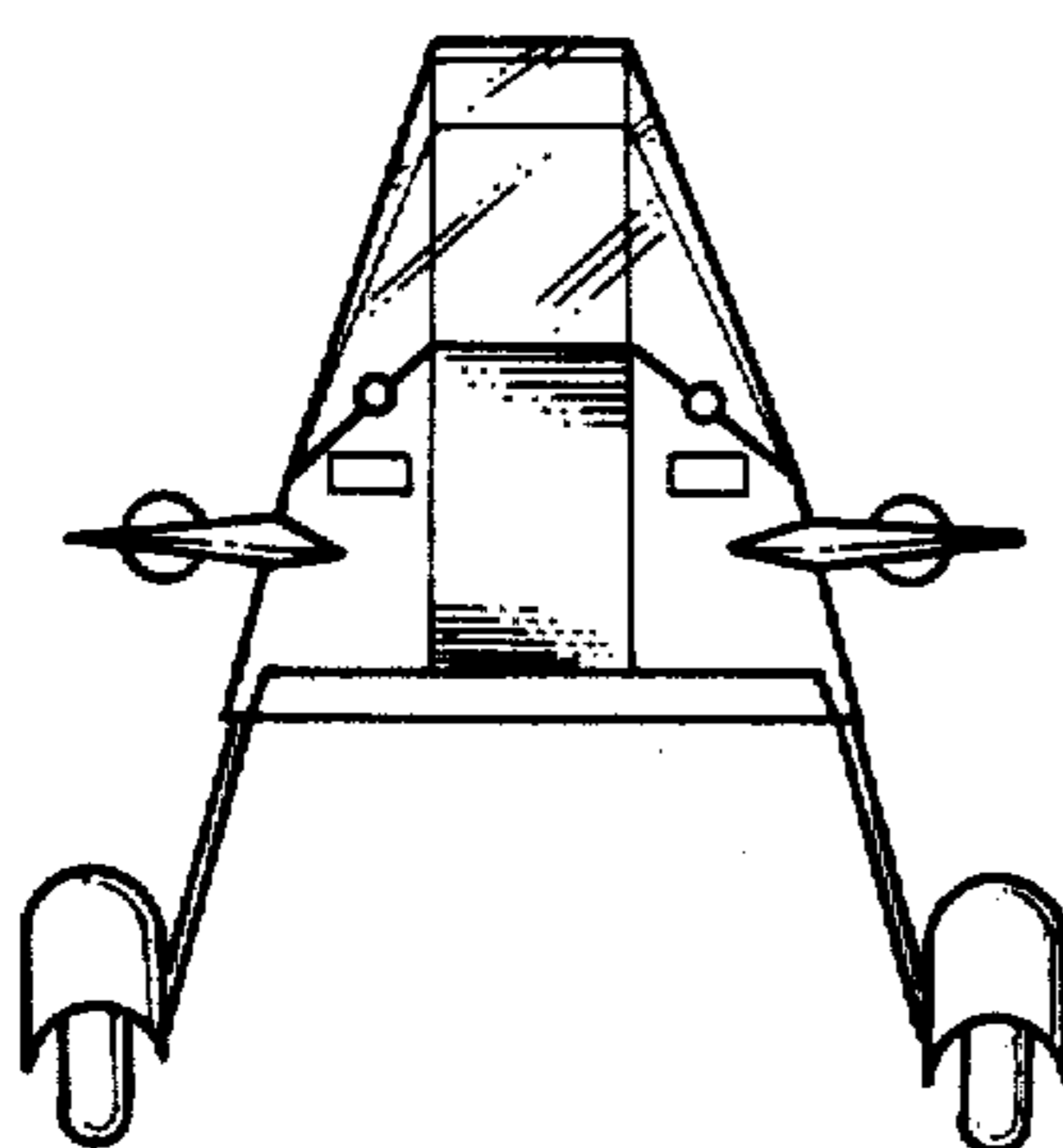


FIG. 5

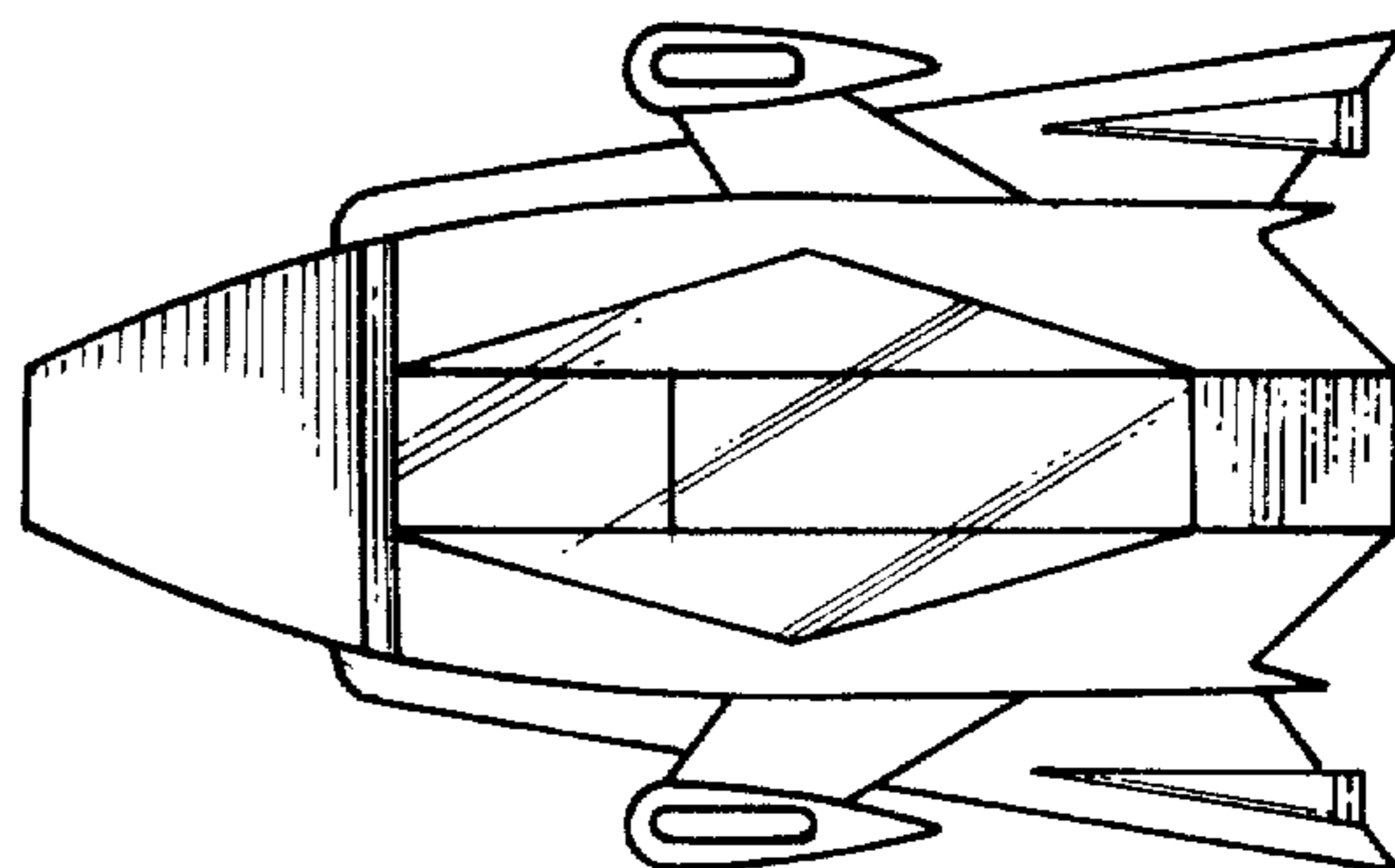


FIG. 6