

[54] BLANK FOR A PACKAGING TRAY

[75] Inventors: Janet L. Mills, Los Angeles; Conrad D. Wiedmann, Inglewood, both of Calif.

[73] Assignee: Mattel, Inc., Hawthorne, Calif.

[**] Term: 14 Years

[21] Appl. No.: 17,222

[22] Filed: Mar. 5, 1979

[51] Int. Cl. D9-03

[52] U.S. Cl. D9/433

[58] Field of Search D9/433, 432; 229/30, 229/19, 9; D99/44; 229/10, 11, 20, 35 R, 31 FS

[56] References Cited

U.S. PATENT DOCUMENTS

- 2,913,967 11/1959 Scriven, Jr. 229/31 FS
- 3,477,633 11/1969 Geene et al. 229/31 FS X
- 3,520,409 7/1970 Gibbs, Sr. 229/30 X

Primary Examiner—Robert C. Spangler
Attorney, Agent, or Firm—John G. Mesaros; Max Shirk; Ronald Goldman

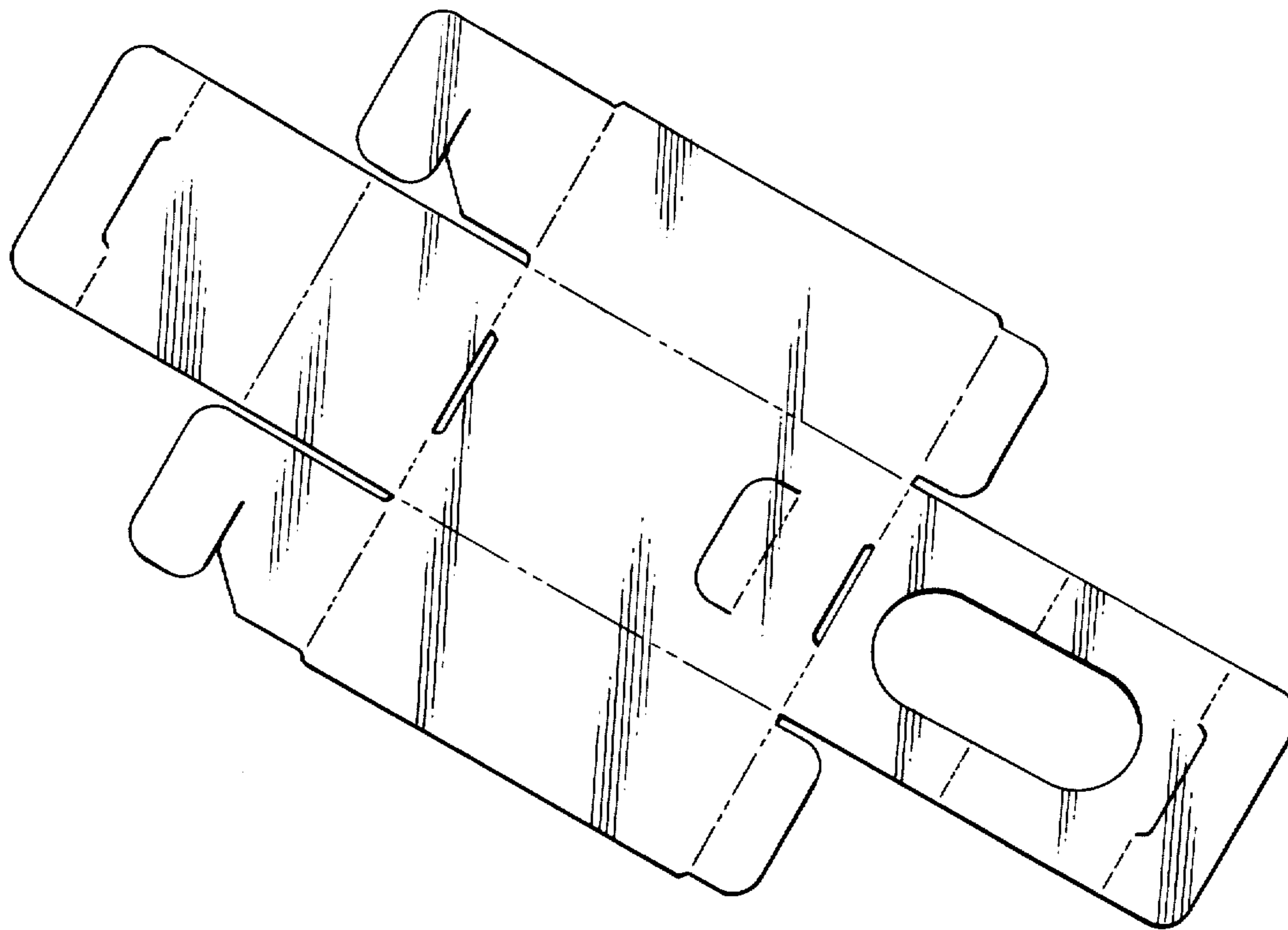
[57] CLAIM

The ornamental design for a blank for a packaging tray, as shown and described.

DESCRIPTION

The FIGURE is a plan view of a blank for a packaging tray showing our new design.

The blank is of conventional thickness and the dash lines represent score lines and fold lines.



U.S. Patent

Feb. 9, 1982

Des. 262,946

