

[54] CONTAINER FOR EJECTED USED STENCILS

[75] Inventor: Eric K. Lytra, Luton, England

[73] Assignee: Gestetner Limited, London, England

[**] Term: 14 Years

[21] Appl. No.: 8,192

[22] Filed: Jan. 31, 1979

[30] Foreign Application Priority Data

Aug. 11, 1978 [GB] United Kingdom 985879/78

[51] Int. Cl. D9-03

[52] U.S. Cl. D9/415; D9/418; D9/432; D9/433

[58] Field of Search D9/415, 418, 432, 433; 229/6 R, 41 R, 41 B, 16 R, 16 A; 206/44 R, 45.28, 45.29

[56] References Cited

U.S. PATENT DOCUMENTS

D. 135,834	6/1943	Larkin	D9/418
D. 253,873	1/1980	Friedmann et al.	D9/415
3,392,903	7/1968	Morgan, Jr.	D9/415
3,608,705	9/1971	Moshel	206/45.31
4,201,291	5/1980	Davidson	206/44 R
4,201,292	5/1980	Davidson	206/44 R

Primary Examiner—Robert C. Spangler
Attorney, Agent, or Firm—Fleit & Jacobson

[57] CLAIM

The ornamental design for a container for ejected used stencils, substantially as shown and described.

DESCRIPTION

FIG. 1 is a bottom, rear, right side perspective of a container for ejected used stencils showing my new design;

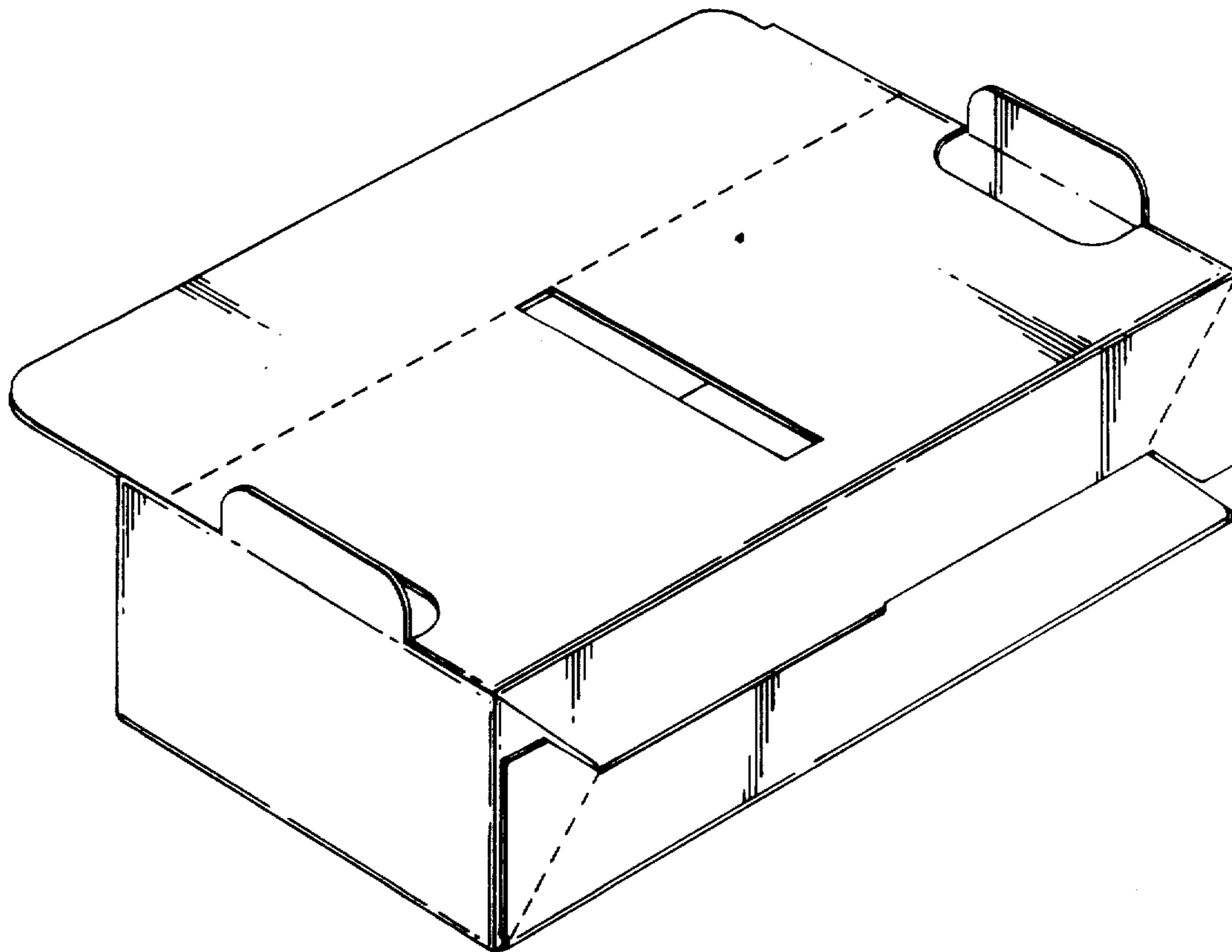
FIG. 2 is a front elevational thereof;

FIG. 3 is a top plan view thereof;

FIG. 4 is a view from the same direction as FIG. 1 of the collapsed container; and

FIG. 5 is a developed plan view thereof.

The dash lines in the drawings represent score lines and fold lines.



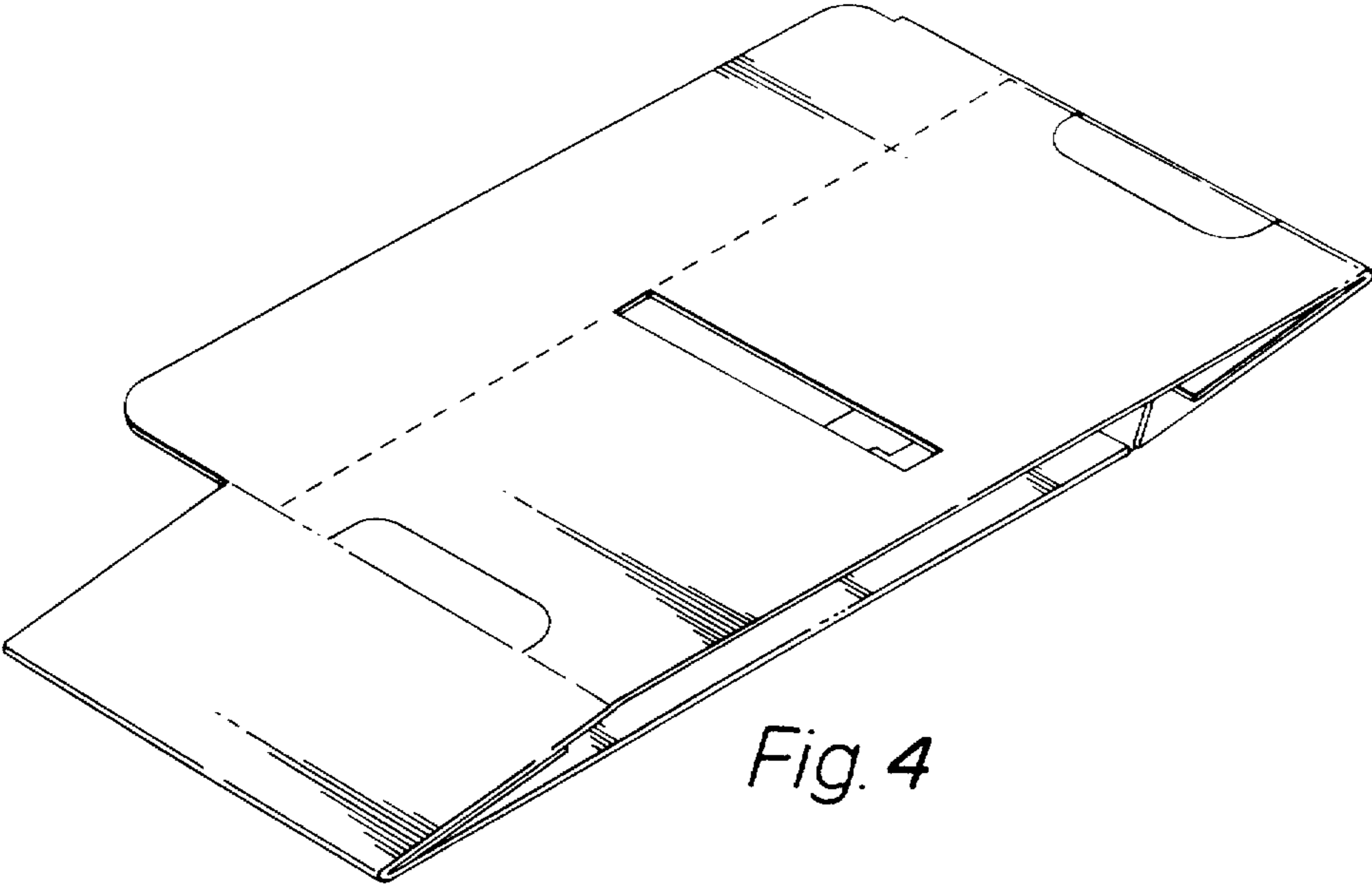


Fig. 4

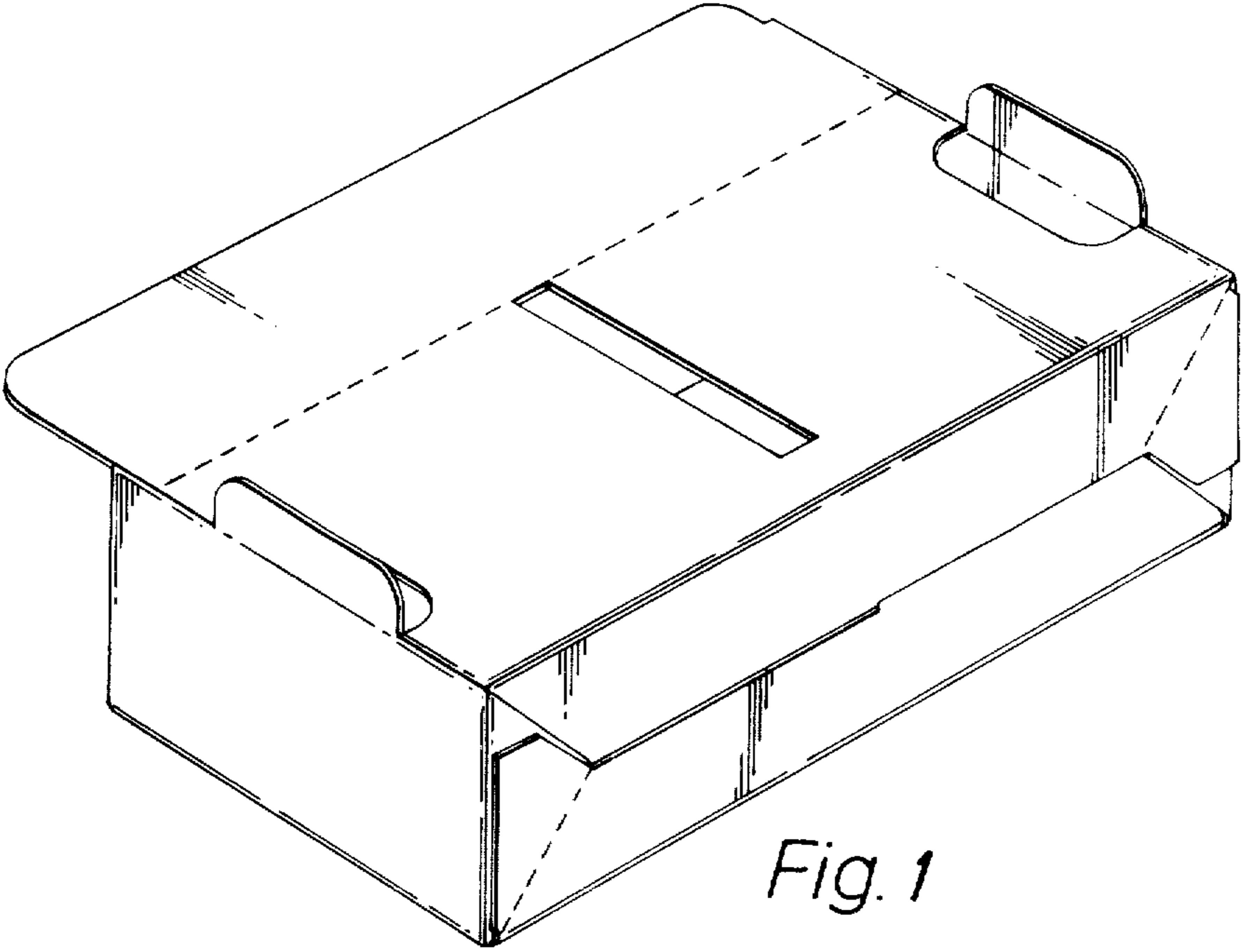


Fig. 1

Fig. 3

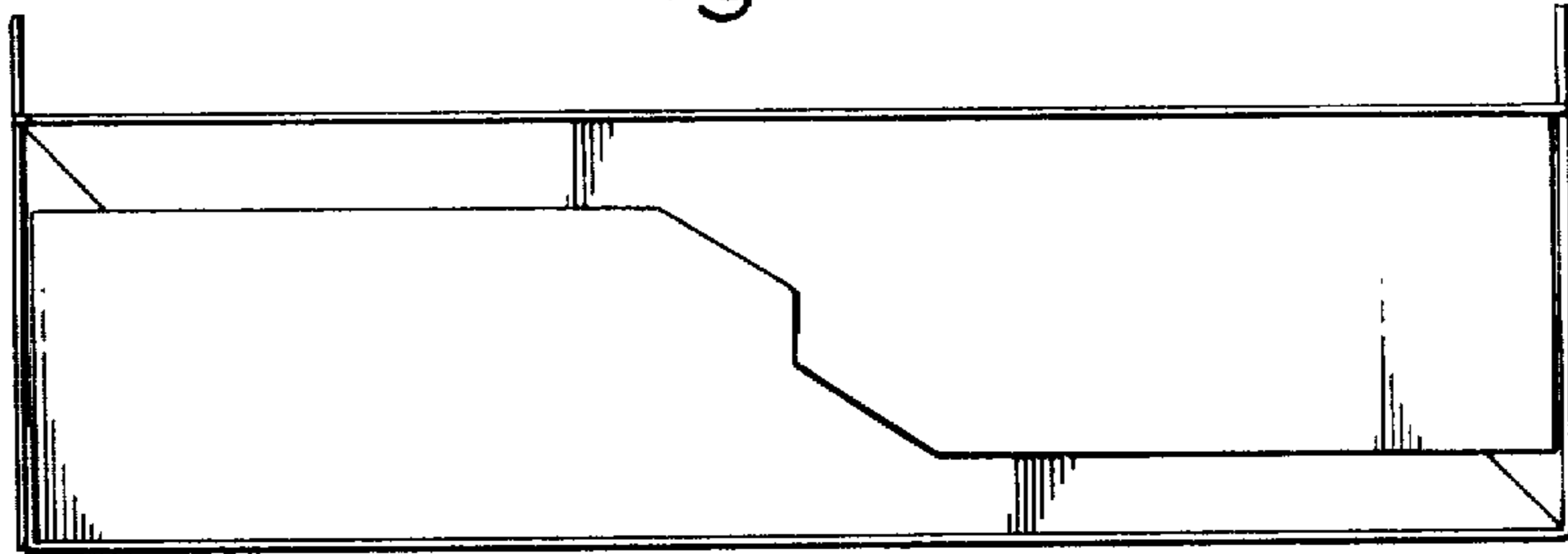


Fig. 2

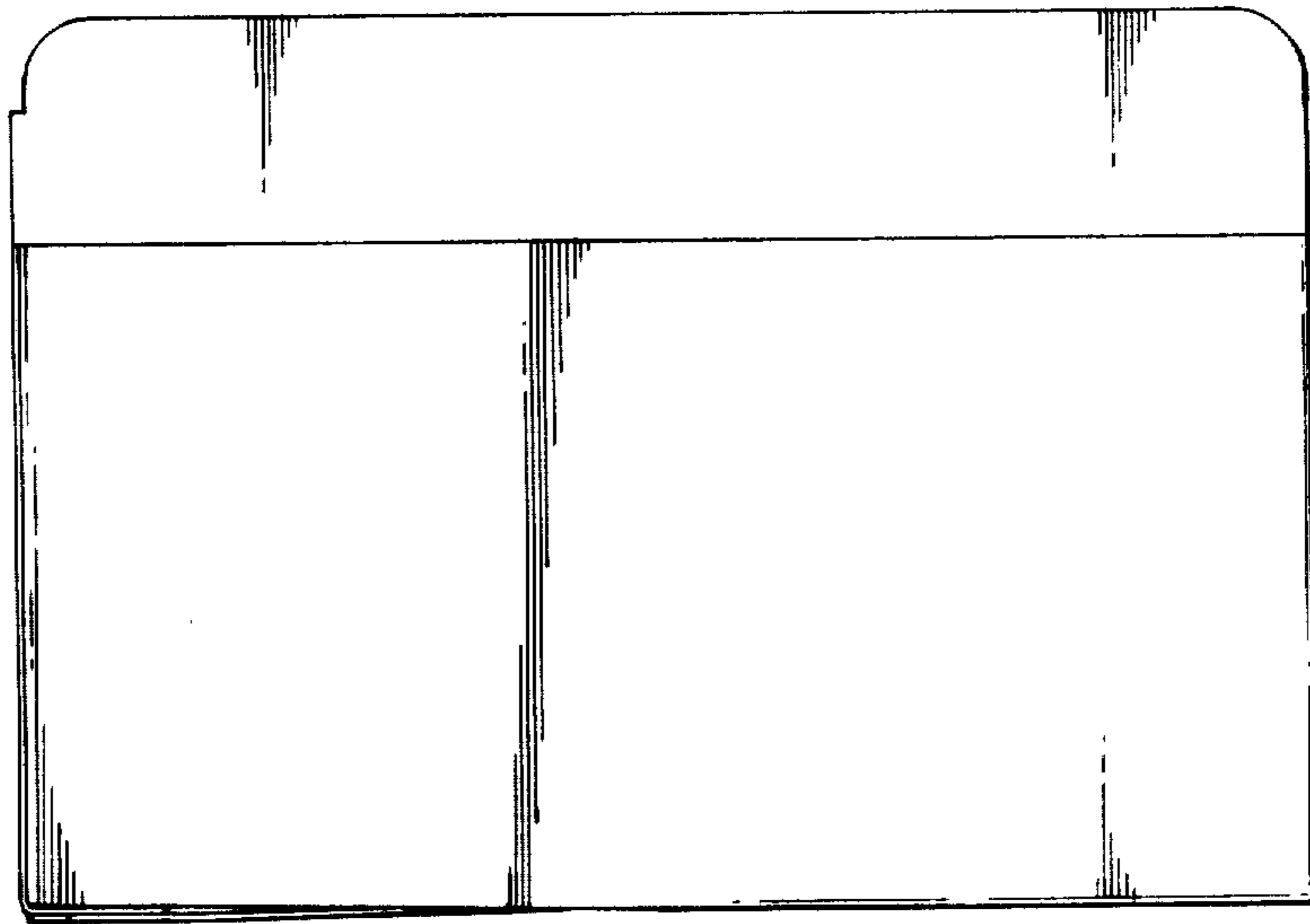


Fig. 5

