

[54] **SAFETY LOCKING DEVICE FOR GARAGE DOORS**

3,572,062 3/1971 Beebe ..... 292/205  
 3,953,062 4/1976 Maston ..... 292/57

[76] Inventors: **Daniel E. Shook**, 2543 Orange St.,  
 Costa Mesa, Calif. 92626; **Lawrence  
 R. Klingler**, 124 20th St., Huntington  
 Beach, Calif. 92648

*Primary Examiner*—Wallace R. Burke  
*Assistant Examiner*—James M. Gandy

[\*\*] Term: **7 Years**

[57] **CLAIM**

The ornamental design for safety locking device for garage doors, as shown and described.

[21] Appl. No.: **673,617**

**DESCRIPTION**

[22] Filed: **Apr. 5, 1976**

[51] Int. Cl. .... **D8-07**

[52] U.S. Cl. .... **D8/336**

[58] Field of Search ..... D8/330, 331, 336, 333;  
 70/54-56, 416, 423; 292/57, 148, 205, 67

FIG. 1 is a perspective view of a safety locking device for garage doors showing our new design;  
 FIG. 2 is an end elevational view thereof;  
 FIG. 3 is a rear elevational view thereof;  
 FIG. 4 is a cross-sectional view thereof taken along line 4-4 in FIG. 3;  
 FIG. 5 is a front elevational view thereof in open condition;  
 FIG. 6 is a perspective view of a safety locking device for garage doors showing a second embodiment of our new design;  
 FIG. 7 is an end elevational view of FIG. 6;  
 FIG. 8 is a rear elevational view of FIG. 6;  
 FIG. 9 is a cross-sectional view of FIG. 6 taken along line 9-9 in FIG. 8;  
 FIG. 10 is a front elevational view of FIG. 6 in open condition.

[56] **References Cited**

**U.S. PATENT DOCUMENTS**

256,902	4/1882	Kirk	70/56
416,433	12/1889	Wilson	70/56
875,087	12/1907	Mackintosh	292/148
1,055,865	3/1913	Boll	70/56
1,136,582	4/1915	Birdsong	70/56
1,220,941	3/1917	Bowers	70/56
1,248,293	11/1917	Ellington	70/56
2,114,913	4/1938	Crossman	70/56
2,584,575	2/1952	Goldwasser	292/205

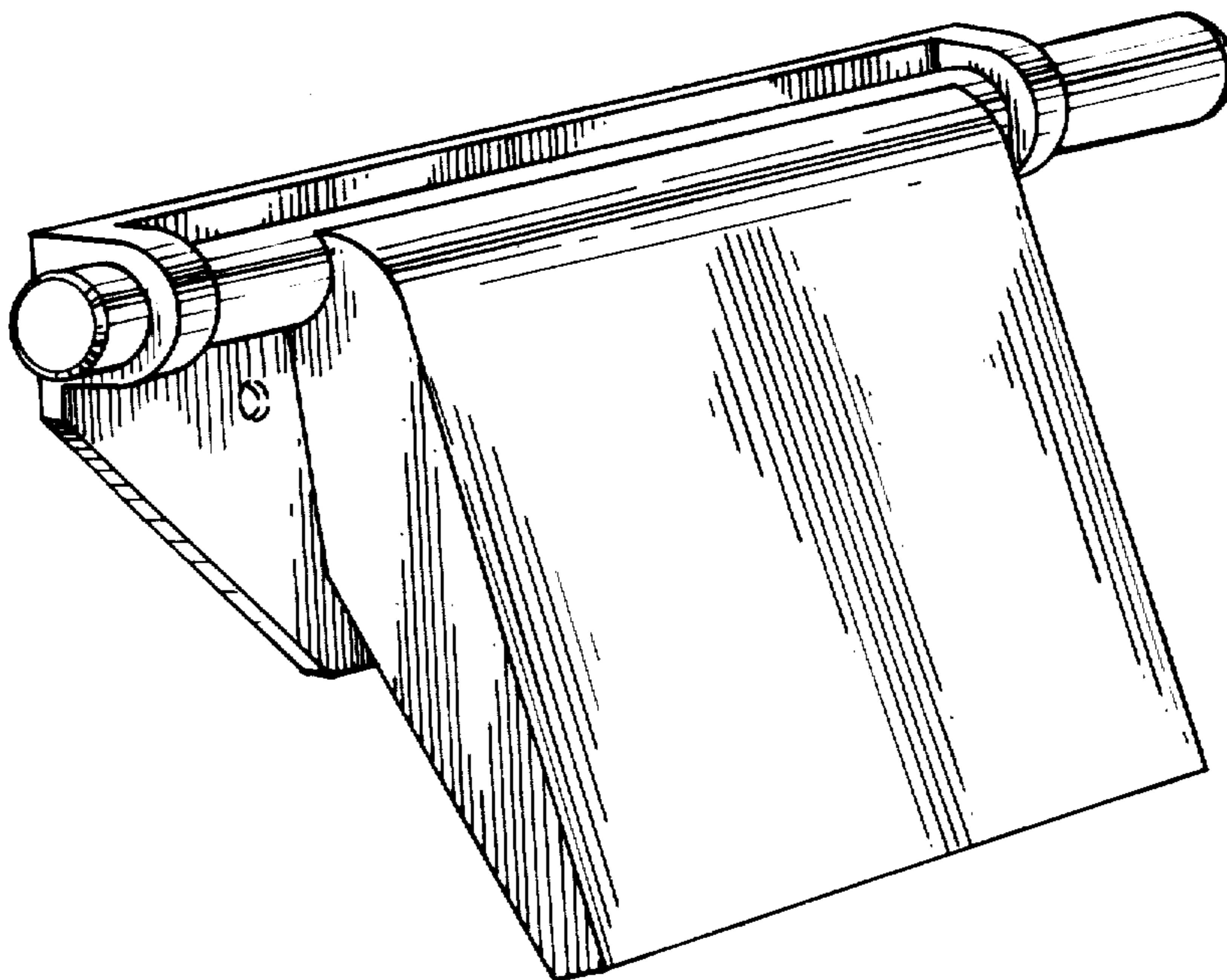


FIG. 1

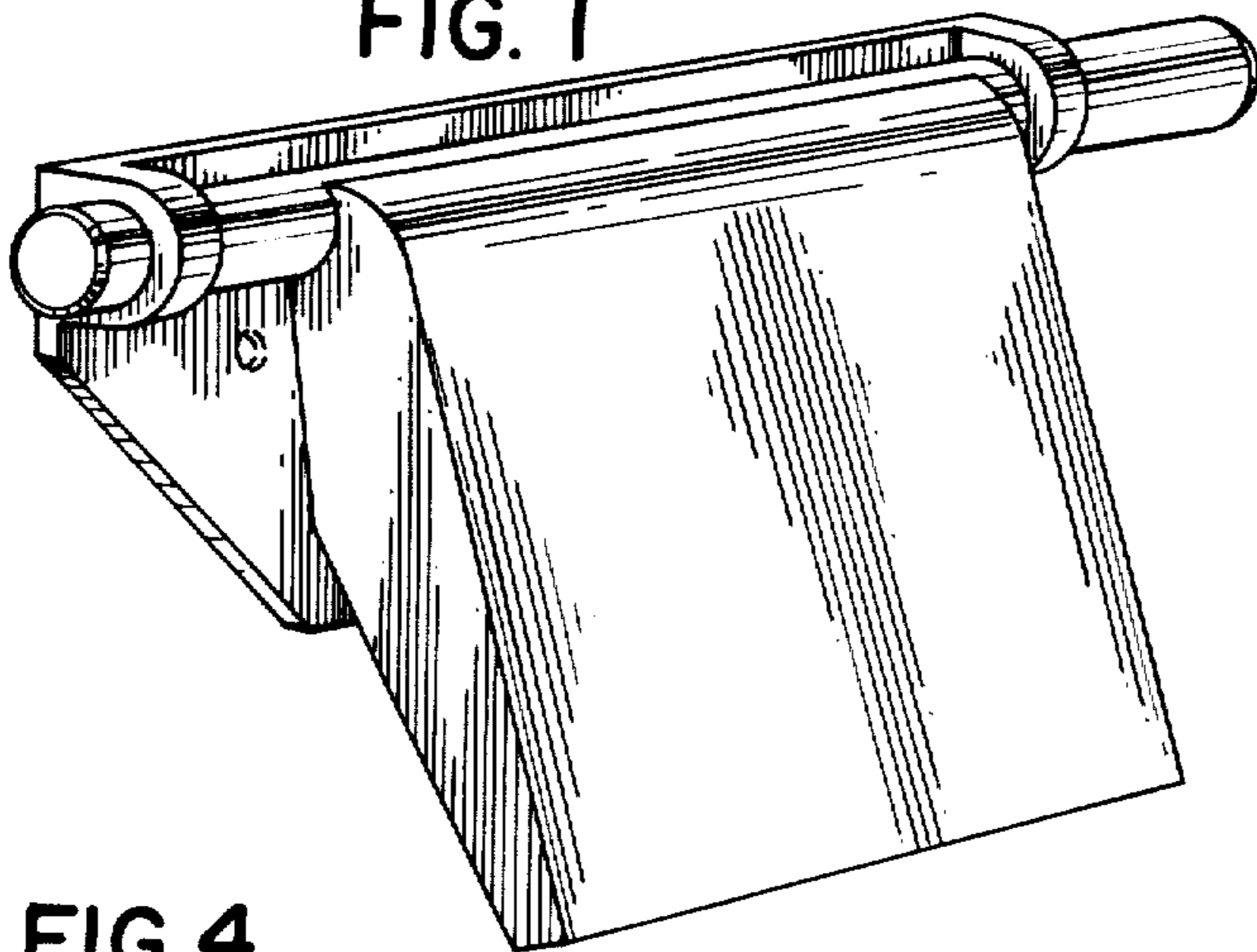


FIG. 2

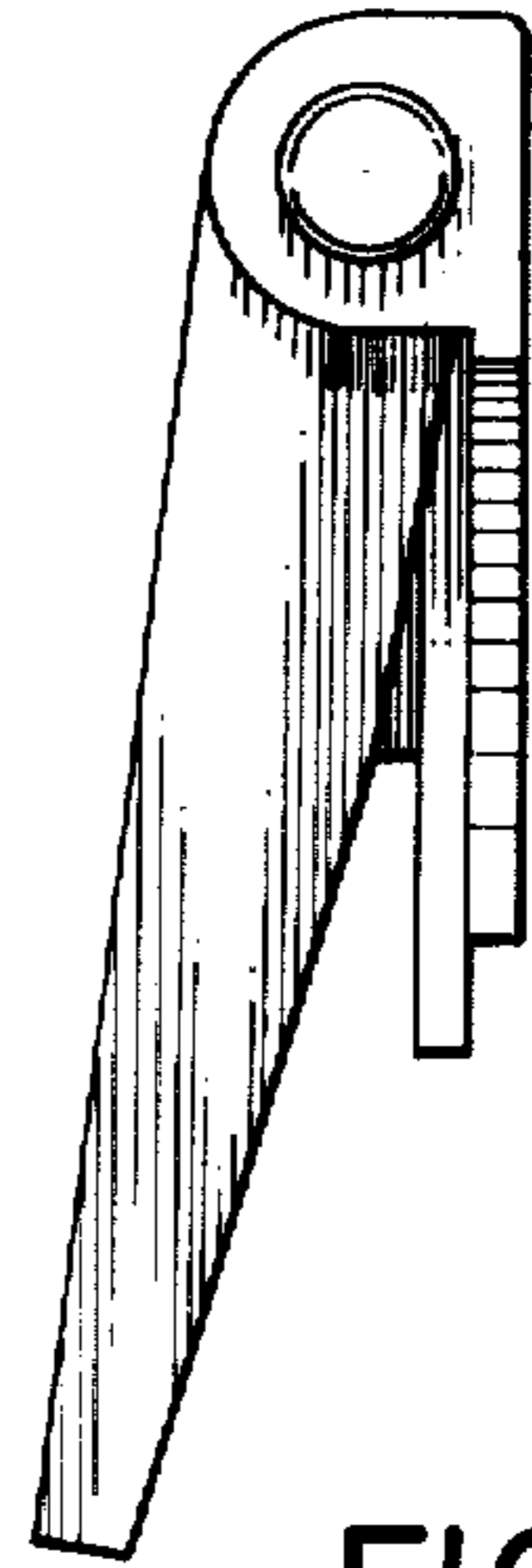
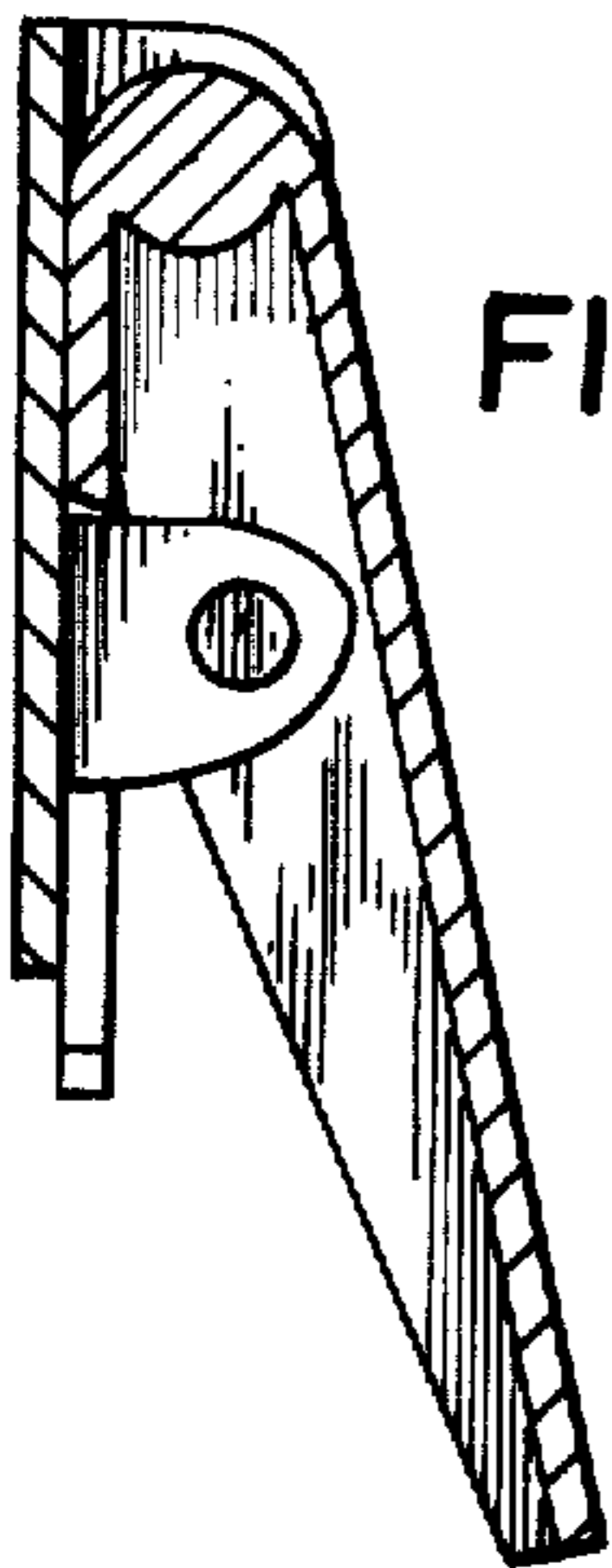
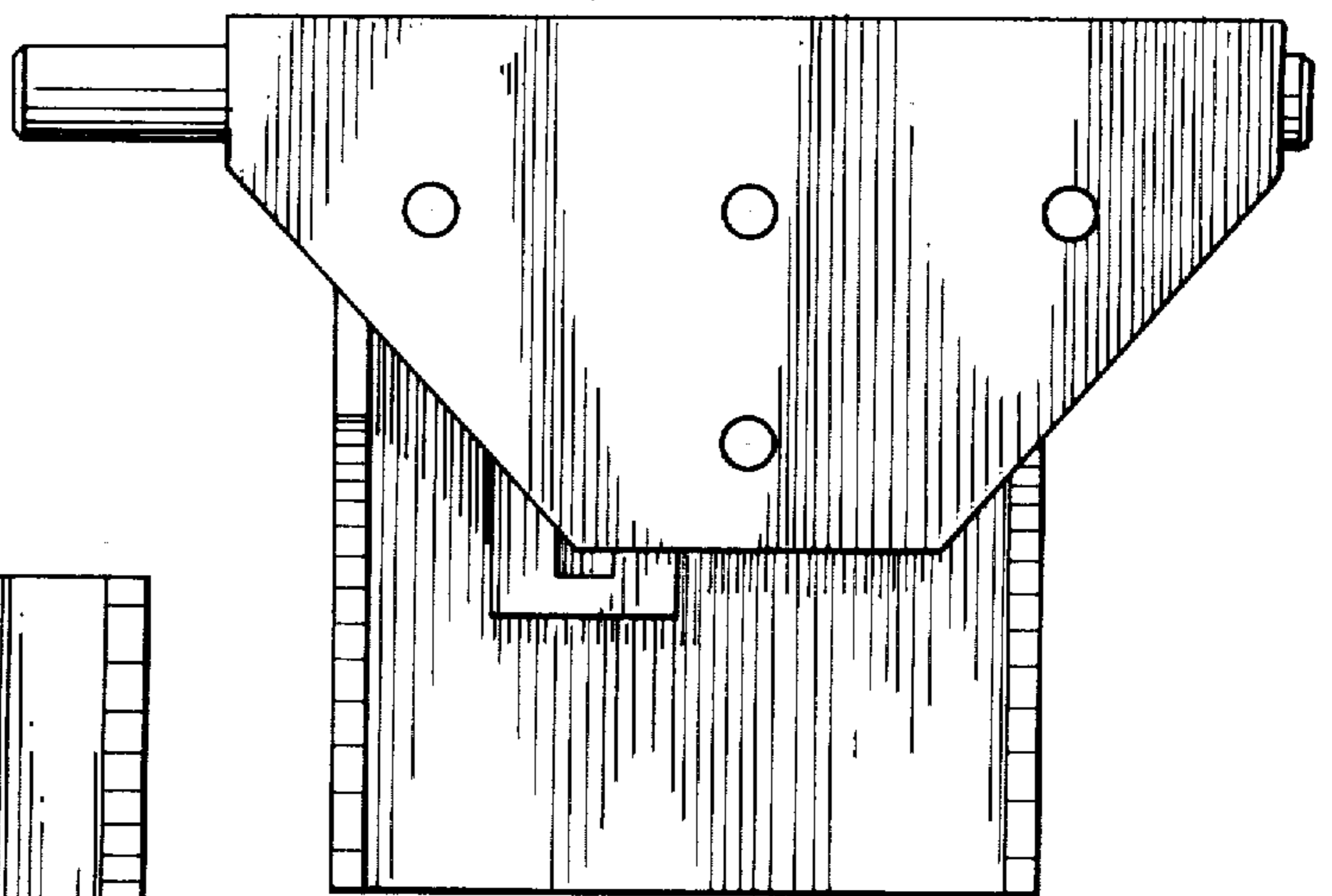


FIG. 4



4 ←

FIG. 3



4 ←

FIG. 5

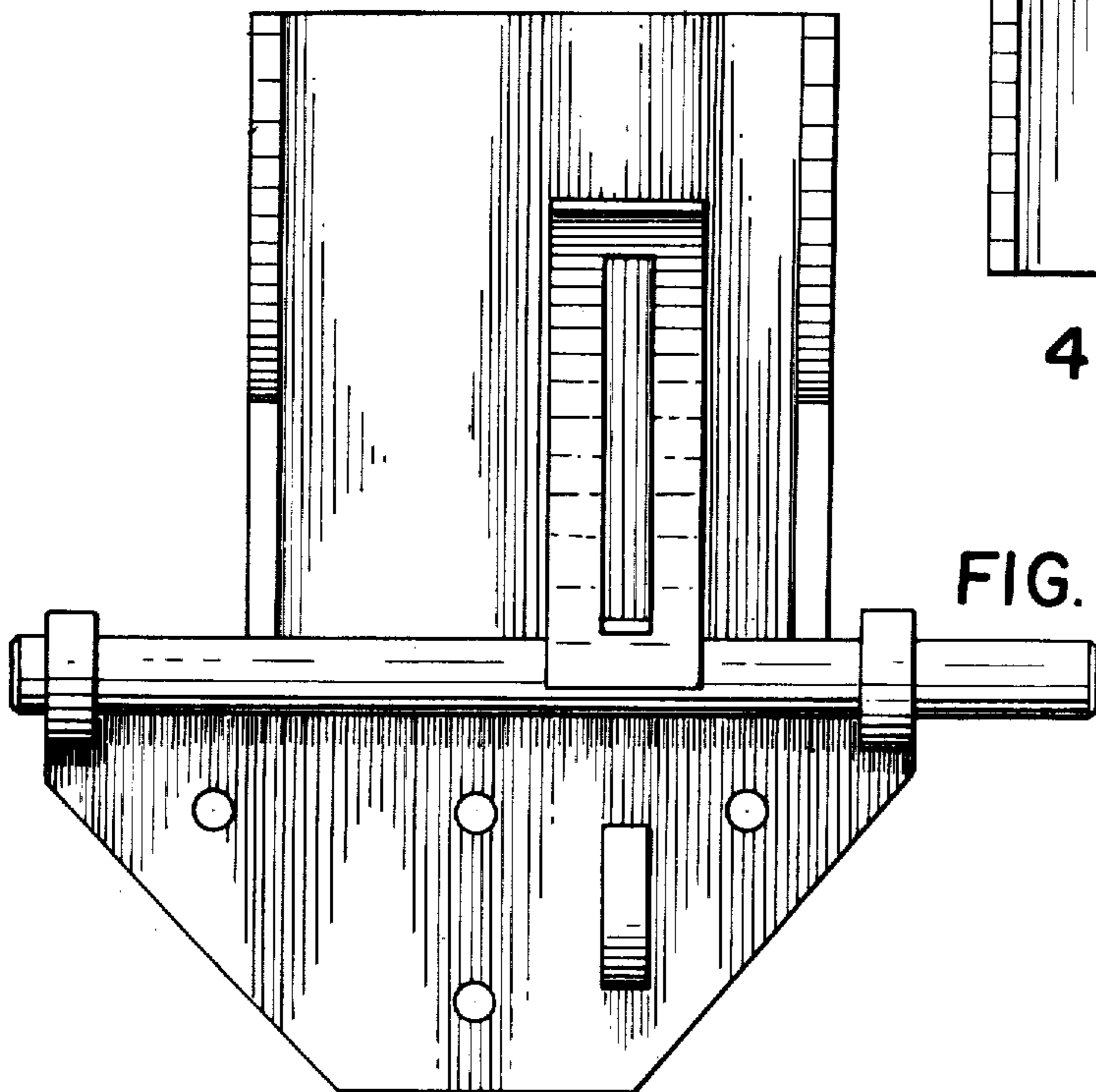


FIG. 6

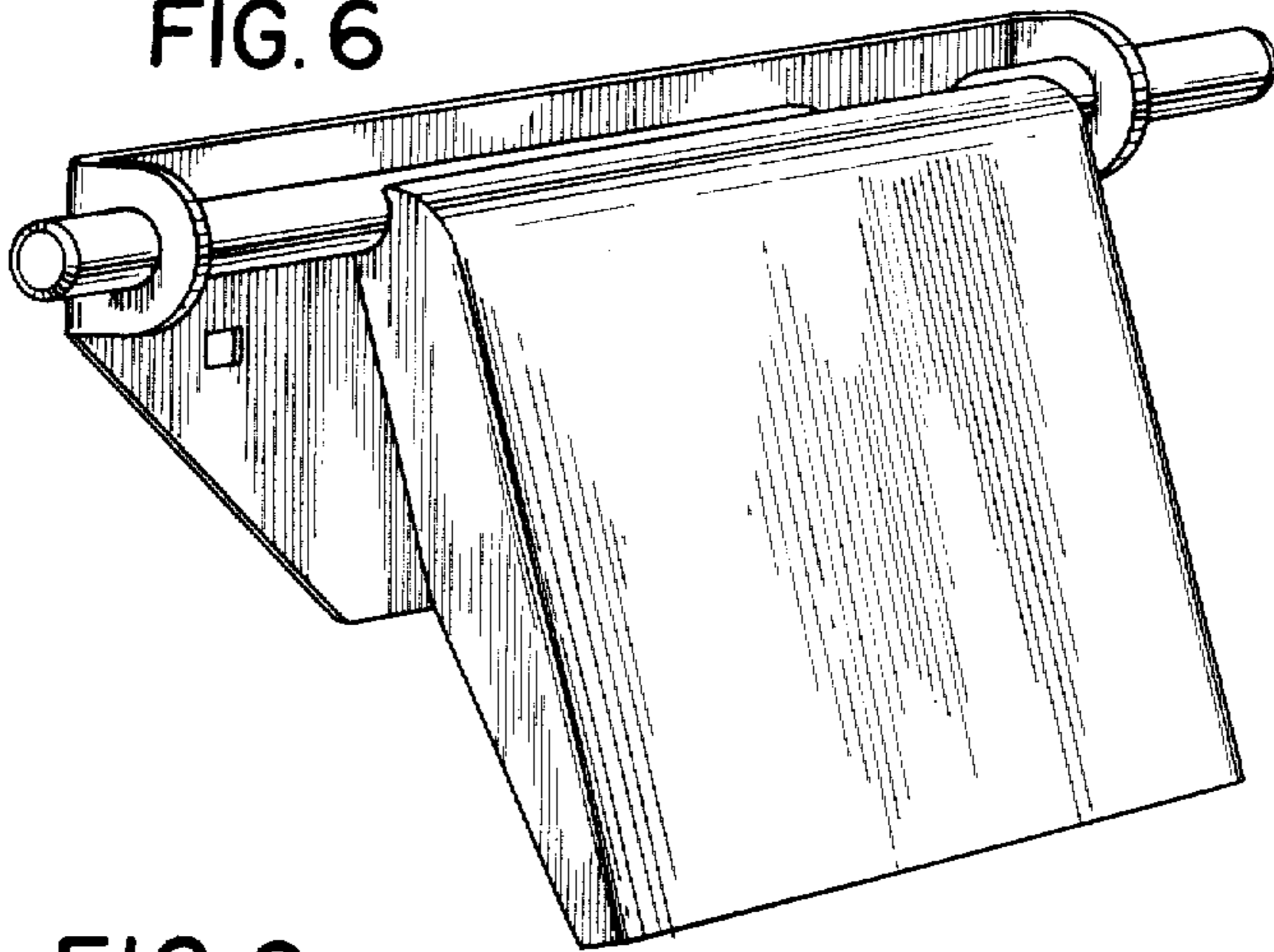


FIG. 7

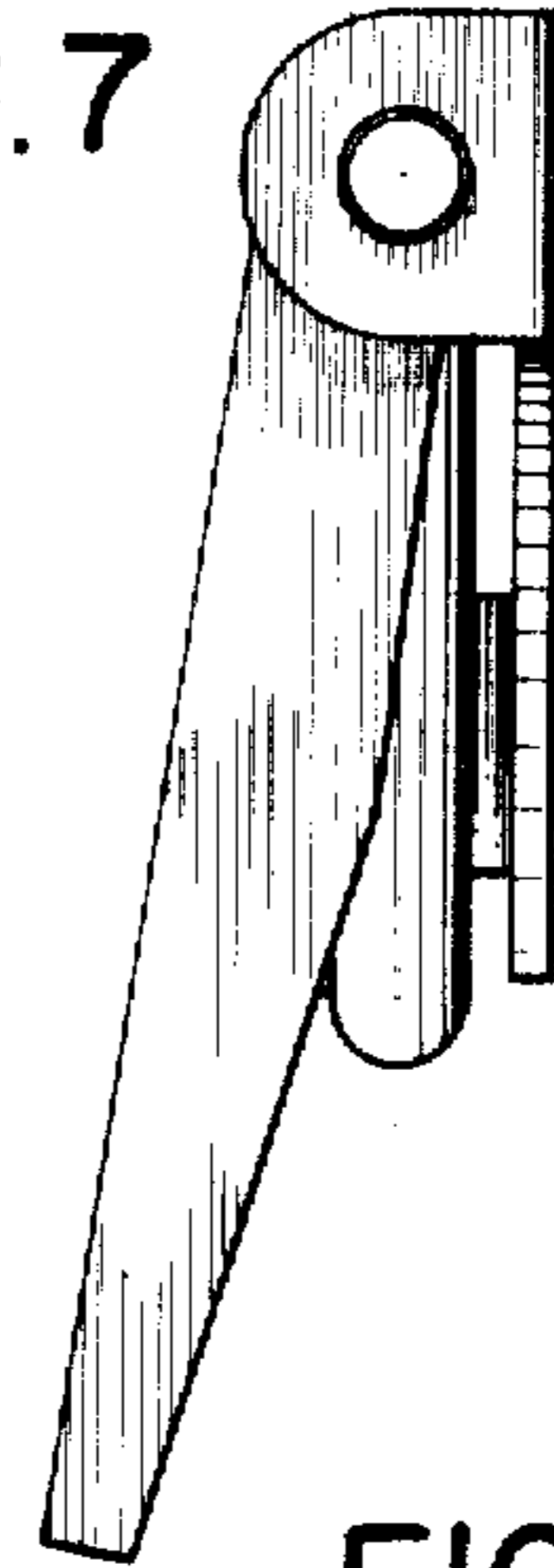
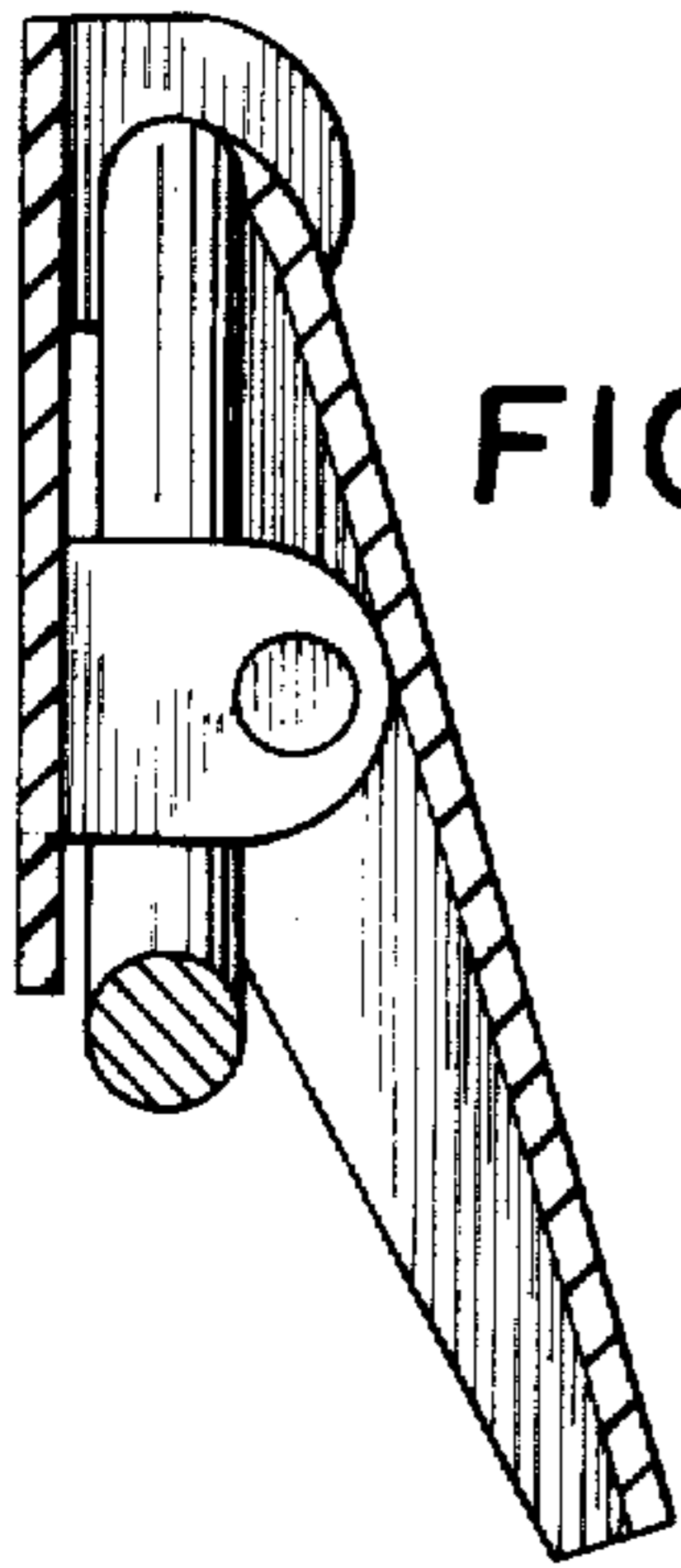
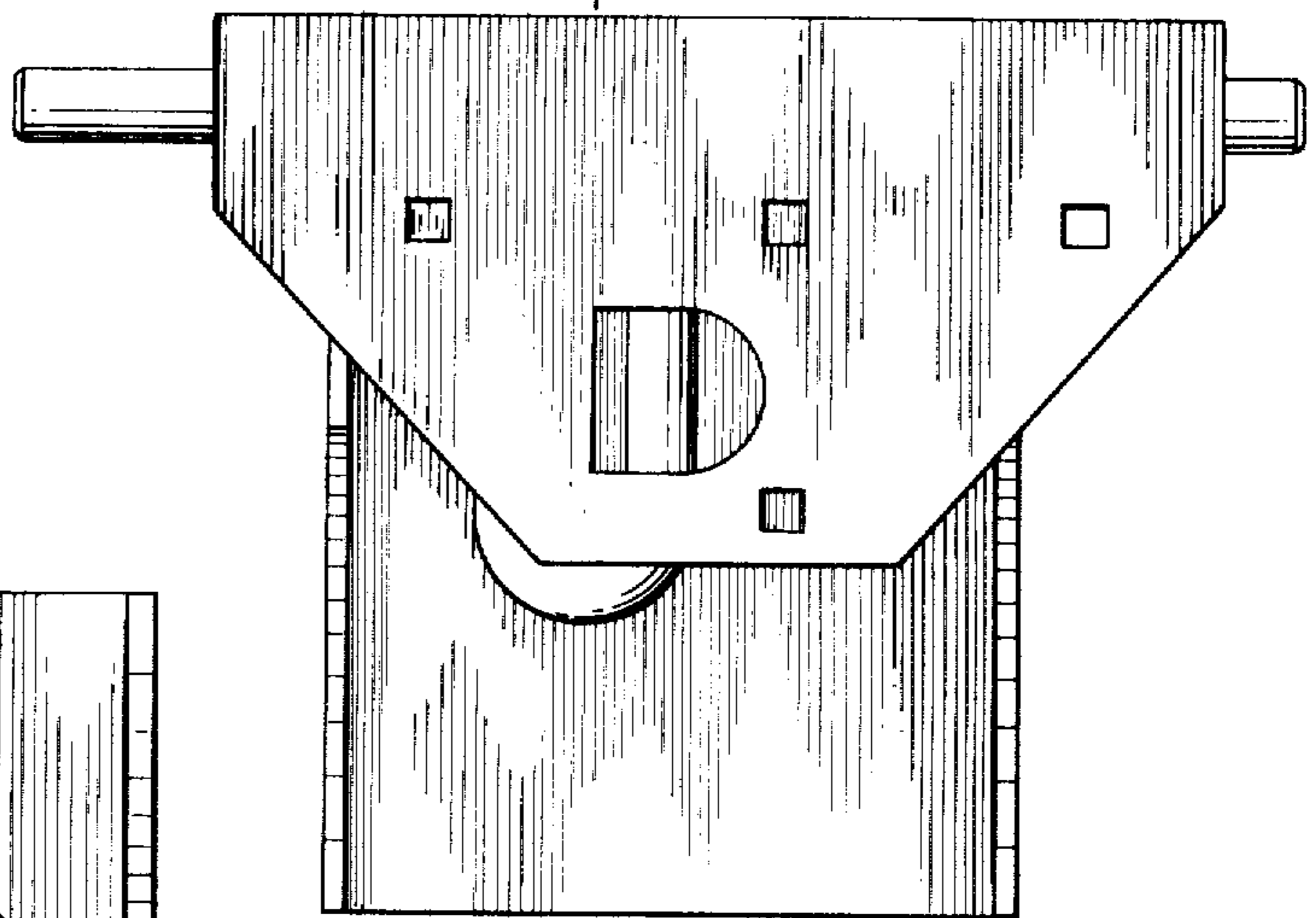


FIG. 9



9

FIG. 8



9

FIG. 10

