

[54] **DRILLING ALIGNMENT TOOL**

[76] Inventor: **Herbert C. Schulze**, P.O. Box 6070,  
Incline Village, Nev. 89450

[\*\*] Term: **14 Years**

[21] Appl. No.: **922,152**

[22] Filed: **Jul. 5, 1978**

[51] Int. Cl. .... **D8—01**

[52] U.S. Cl. .... **D8/70**

[58] Field of Search ..... **D8/70; 408/56, 76, 84,  
408/111**

3,336,611 8/1967 Schepp ..... D8/70  
 3,827,822 8/1974 Converse ..... D8/70  
 3,907,452 9/1975 Tripp ..... 408/56

Primary Examiner—Sam Rosen

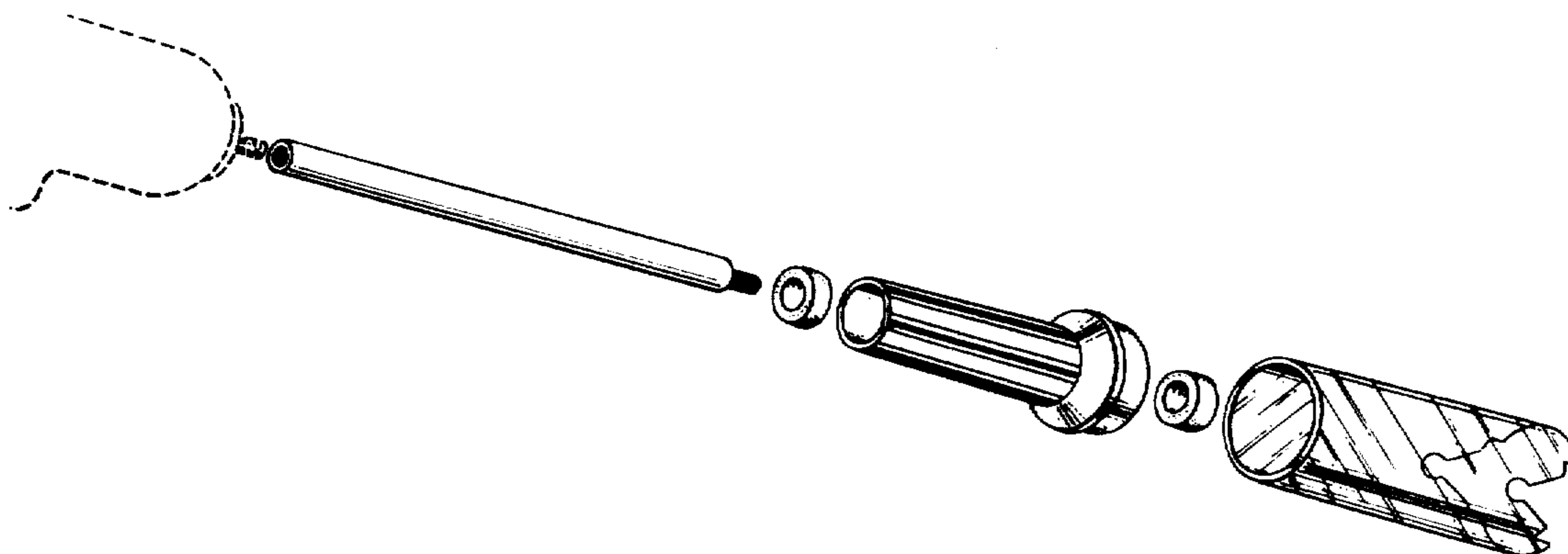
[57] **CLAIM**

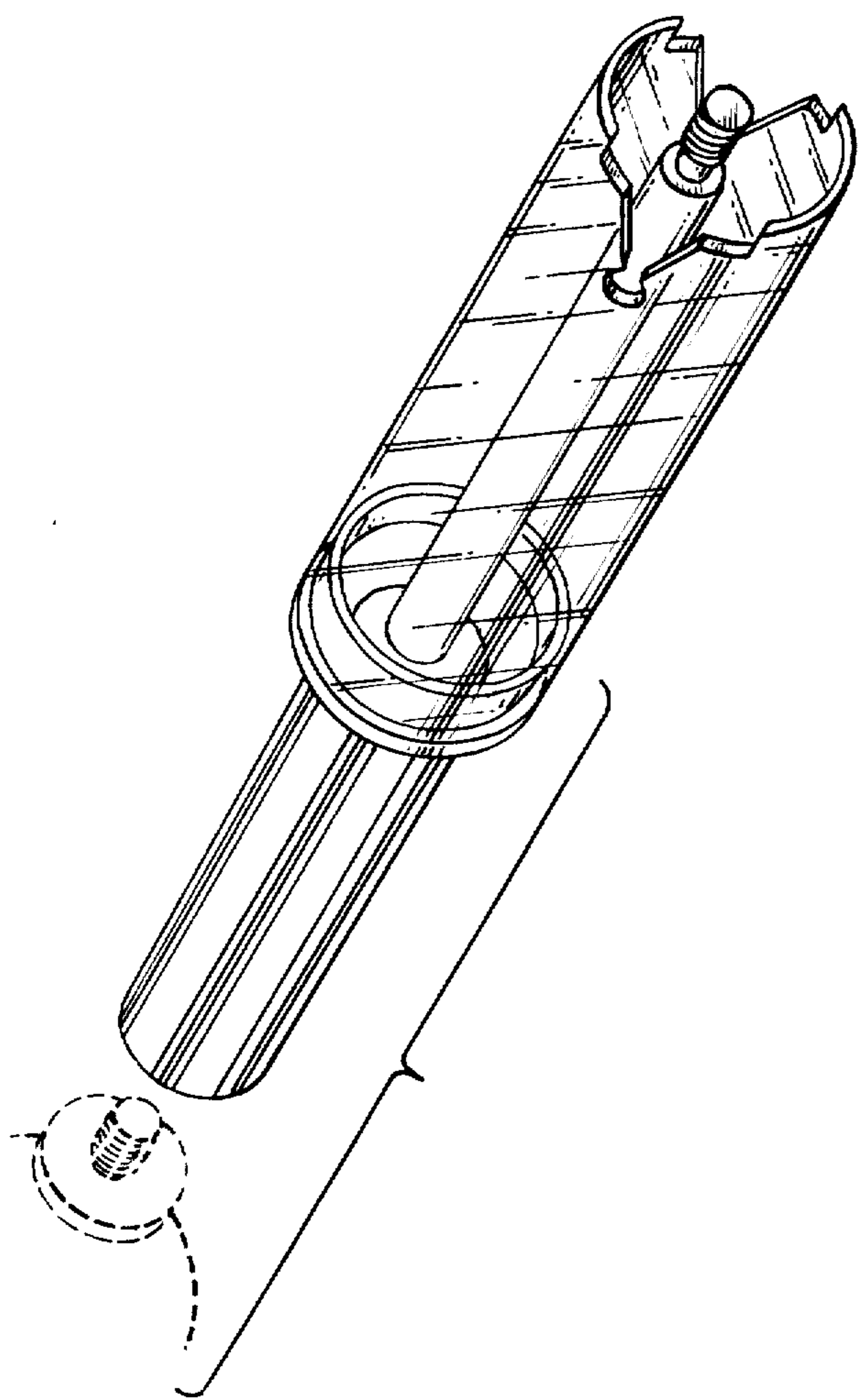
The ornamental design for a drilling alignment tool, as shown and described.

**DESCRIPTION**

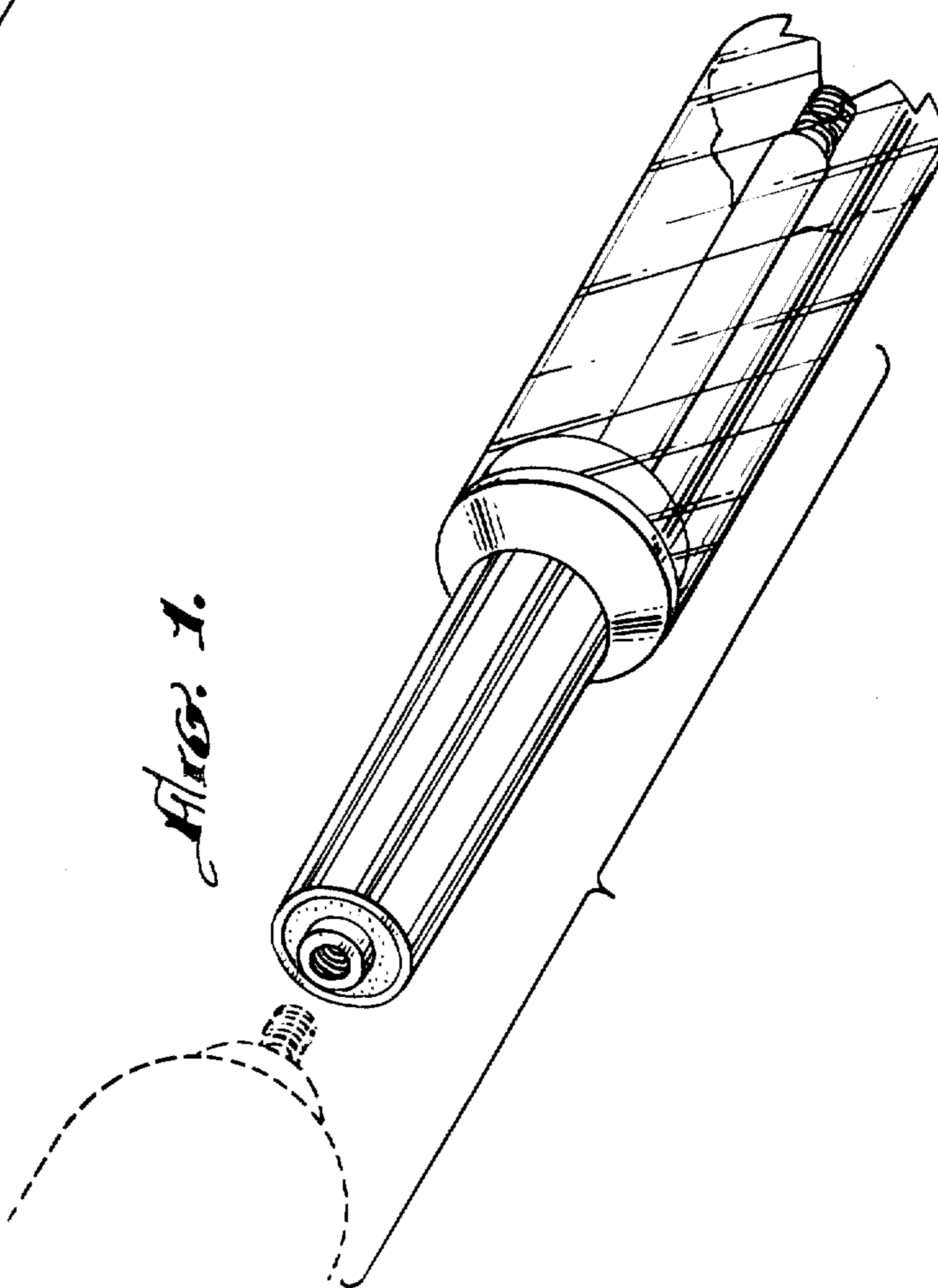
FIG. 1 is a perspective view from the left upper side of the drilling alignment tool;  
 FIG. 2 is a perspective view from the right lower side thereof; and  
 FIG. 3 is an exploded view of the elements thereof.  
 The drill is partially shown in the views in broken lines for illustrative purposes only and does not form a part of the claimed design.

[56] **References Cited**  
**U.S. PATENT DOCUMENTS**  
 1,994,516 3/1935 Hawn ..... 408/56





*FIG. 2.*



*FIG. 1.*

