

[54] CLOSURE FOR A BOWL OR THE LIKE
[75] Inventor: Robert H. C. M. Daenen, Hekelgem, Belgium
[73] Assignee: Dart Industries Inc., Los Angeles, Calif.

D. 254,831 4/1980 Smith D7/17
2,501,983 3/1950 Zoia D7/40 X
2,766,796 10/1956 Tupper D9/352 X
3,051,303 8/1962 Daanen et al. D9/352 X
3,957,097 5/1976 Swett D7/17 X

[**] Term: 14 Years
[21] Appl. No.: 112,968
[22] Filed: Jan. 17, 1980

Primary Examiner—Winifred E. Herrmann
Attorney, Agent, or Firm—Leigh B. Taylor

[51] Int. Cl. D07—01
[52] U.S. Cl. D7/40
[58] Field of Search D7/40, 131, 3, 17, 76; D9/352

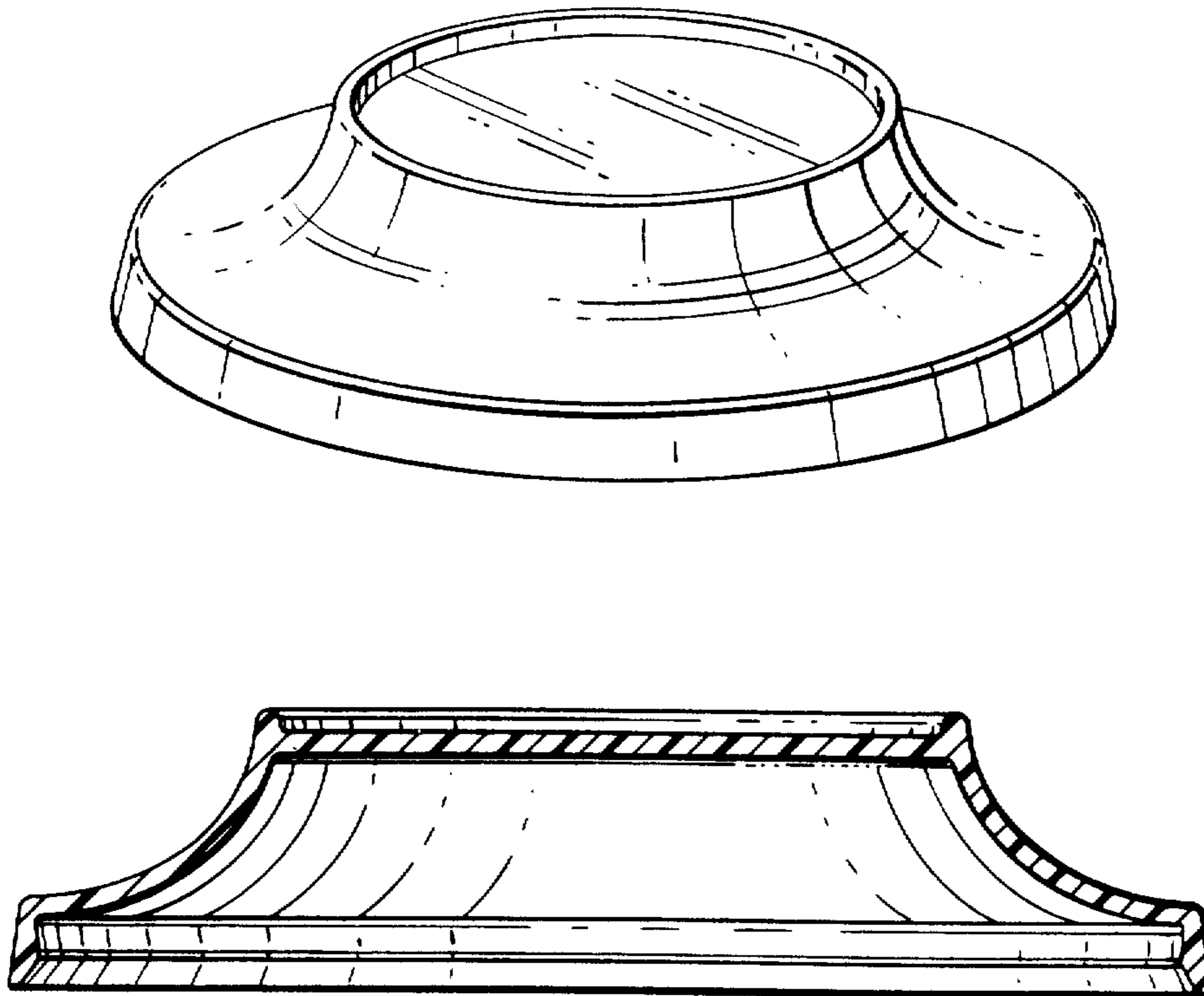
[57] CLAIM

The ornamental design for a closure for a bowl or the like, substantially as shown.

DESCRIPTION

FIG. 1 is a top perspective view of a closure for a bowl or the like showing my new design; FIG. 2 is a side elevational view thereof; FIG. 3 is a top plan view thereof; FIG. 4 is a bottom plan view thereof; and FIG. 5 is an enlarged cross-sectional view thereof taken along line 5—5 of FIG. 2.

[56] References Cited
U.S. PATENT DOCUMENTS
D. 62,822 8/1923 Kintz D7/17



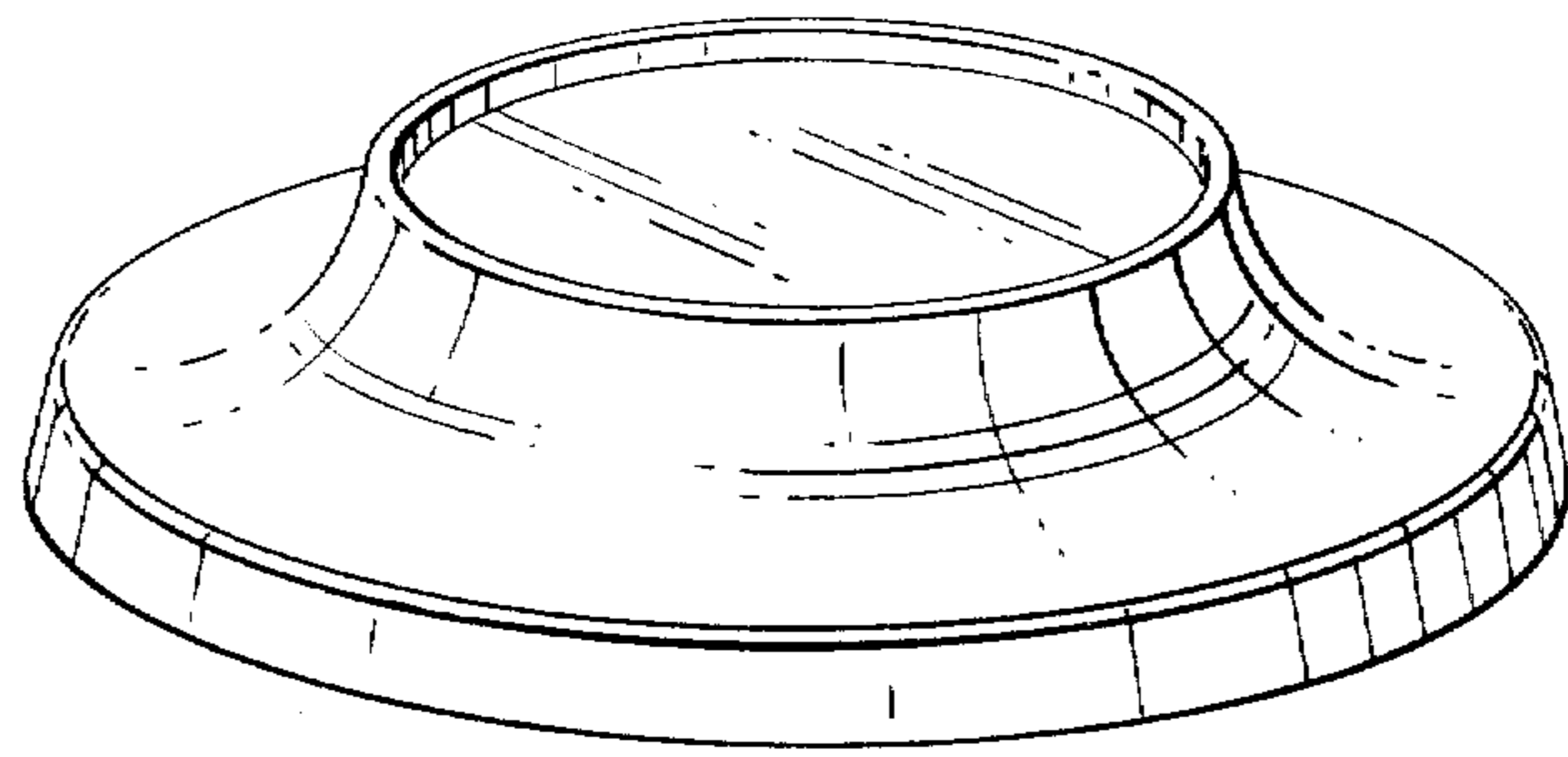


FIG. 1

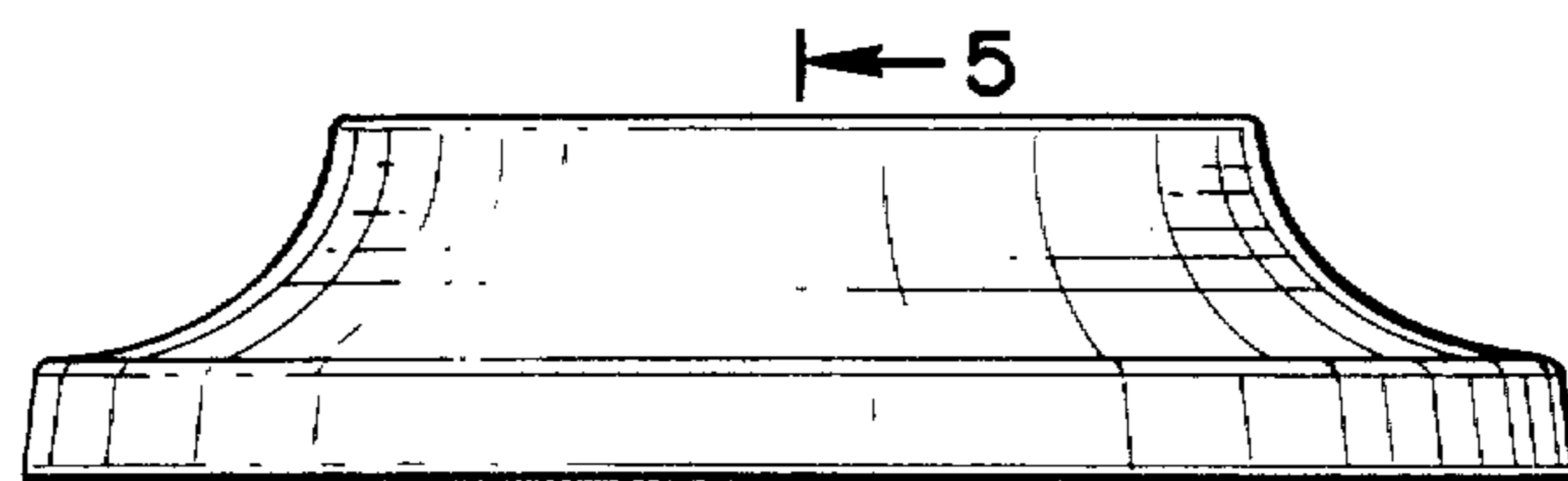


FIG. 2

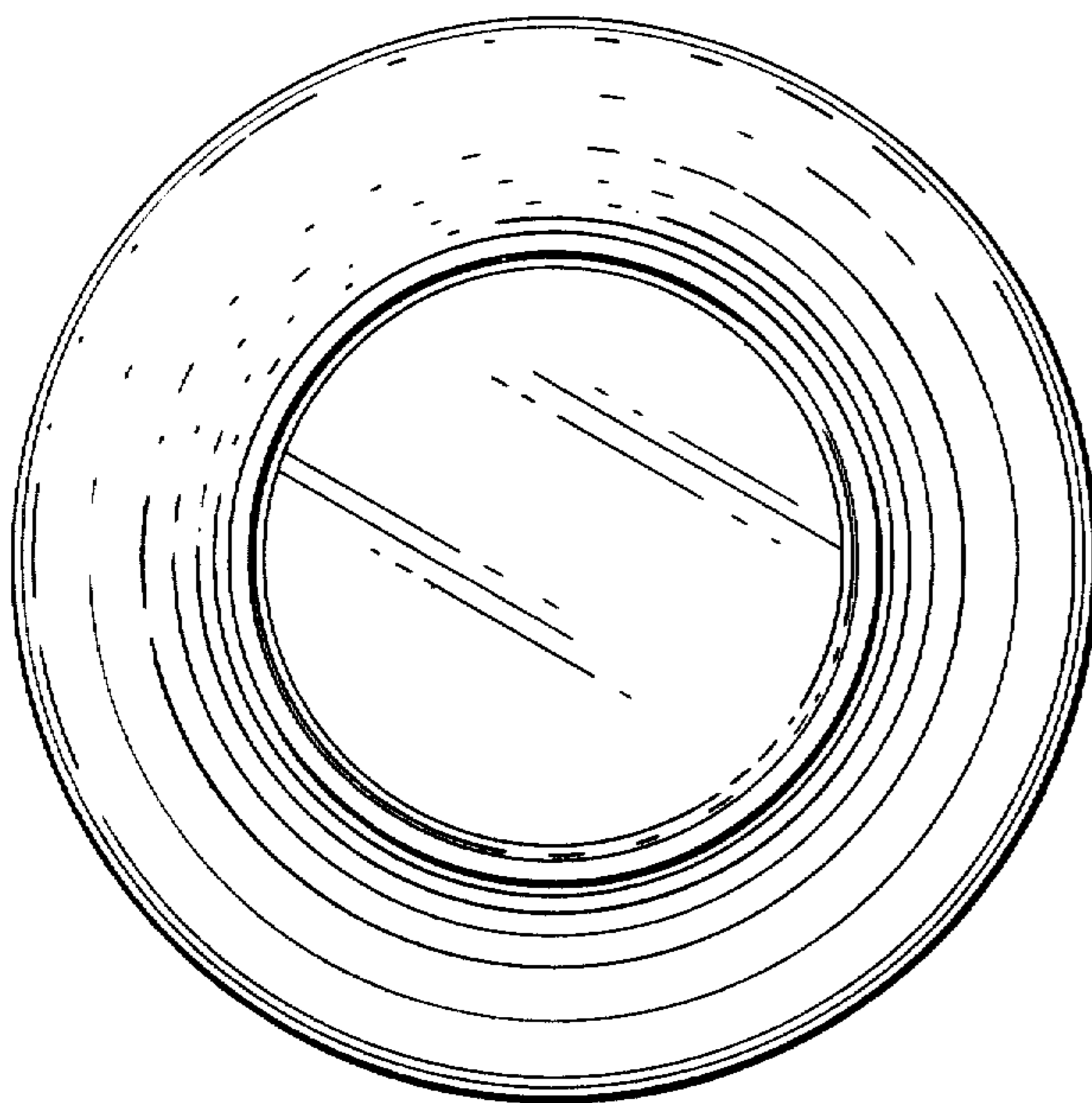


FIG. 3

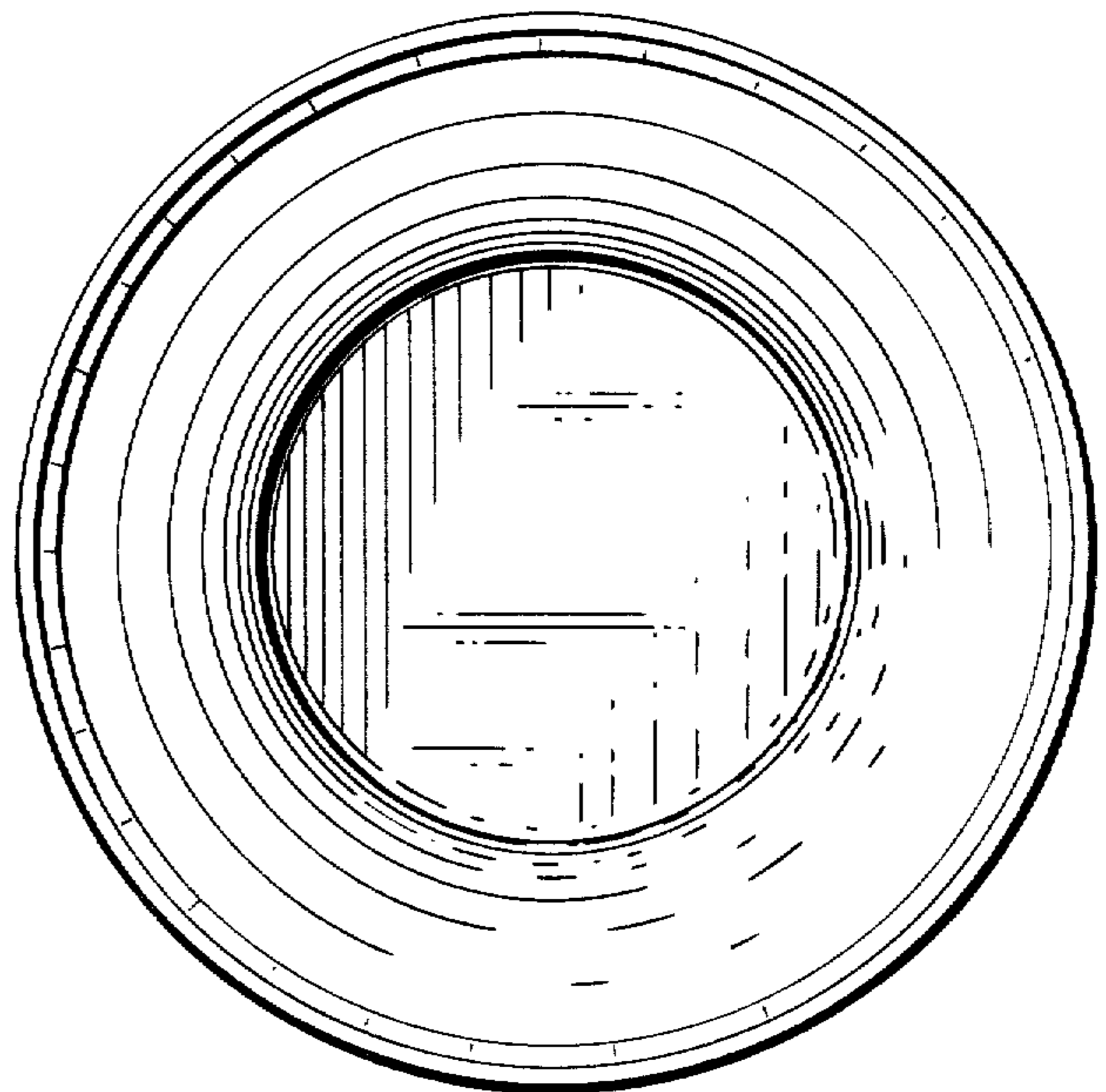


FIG. 4

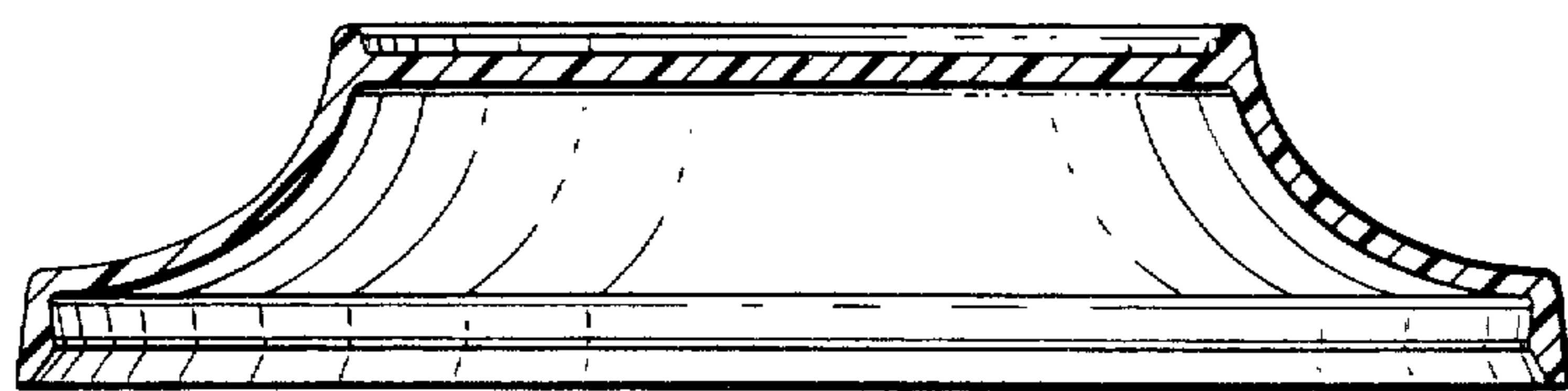


FIG. 5