

- [54] **COMBINED CUTTING BOARD, SERVING DISHES AND SUPPORT STAND**
- [75] Inventor: **Kenneth R. LeVan**, Addison, N.Y.
- [73] Assignee: **Corning Glass Works**, Corning, N.Y.
- [**] Term: **14 Years**
- [21] Appl. No.: **969,245**
- [22] Filed: **Dec. 13, 1978**
- [51] Int. Cl. **D07—01**
- [52] U.S. Cl. **D7/3; D7/38; D7/46; D7/130**
- [58] **Field of Search** **D6/177; D7/3, 41, 1, D7/21, 37, 19, 38, 16, 18, 129, 96, 130, 46; D9/219, 242**

[56] **References Cited**

U.S. PATENT DOCUMENTS

D. 121,438	7/1940	Karsh	D7/21
D. 198,804	8/1964	Stevens	D7/38
D. 224,553	8/1972	Swett et al.	D7/38 X
D. 224,662	8/1972	Swett et al.	D7/38 X
2,916,161	12/1959	Schaefer	D7/81 X
3,887,288	6/1975	Glaser	D6/177 X
3,986,316	10/1976	Blodee	248/188.1 X
3,993,005	11/1976	Burr	D6/177 X
4,039,133	8/1977	Streicher	D6/177 X

OTHER PUBLICATIONS

Home Fashion Blooms Fresh, Woodies Cat. 5/9/76,

Adv. Supplement to Wash. Star. p. 8, Item #E Double Dish & Holder.

Primary Examiner—Winifred E. Herrmann
Attorney, Agent, or Firm—Burton R. Turner

[57] **CLAIM**

The ornamental design for a combined cutting board, serving dishes and support stand, as shown and described.

DESCRIPTION

FIG. 1 is a perspective view of a combined cutting board, serving dishes and support stand showing my new design;

FIG. 2 is a perspective view of the support stand shown in FIG. 1, without the cutting board and serving dishes;

FIG. 3 is a top plan view of the cutting board shown in FIG. 1;

FIG. 4 is a bottom plan view;

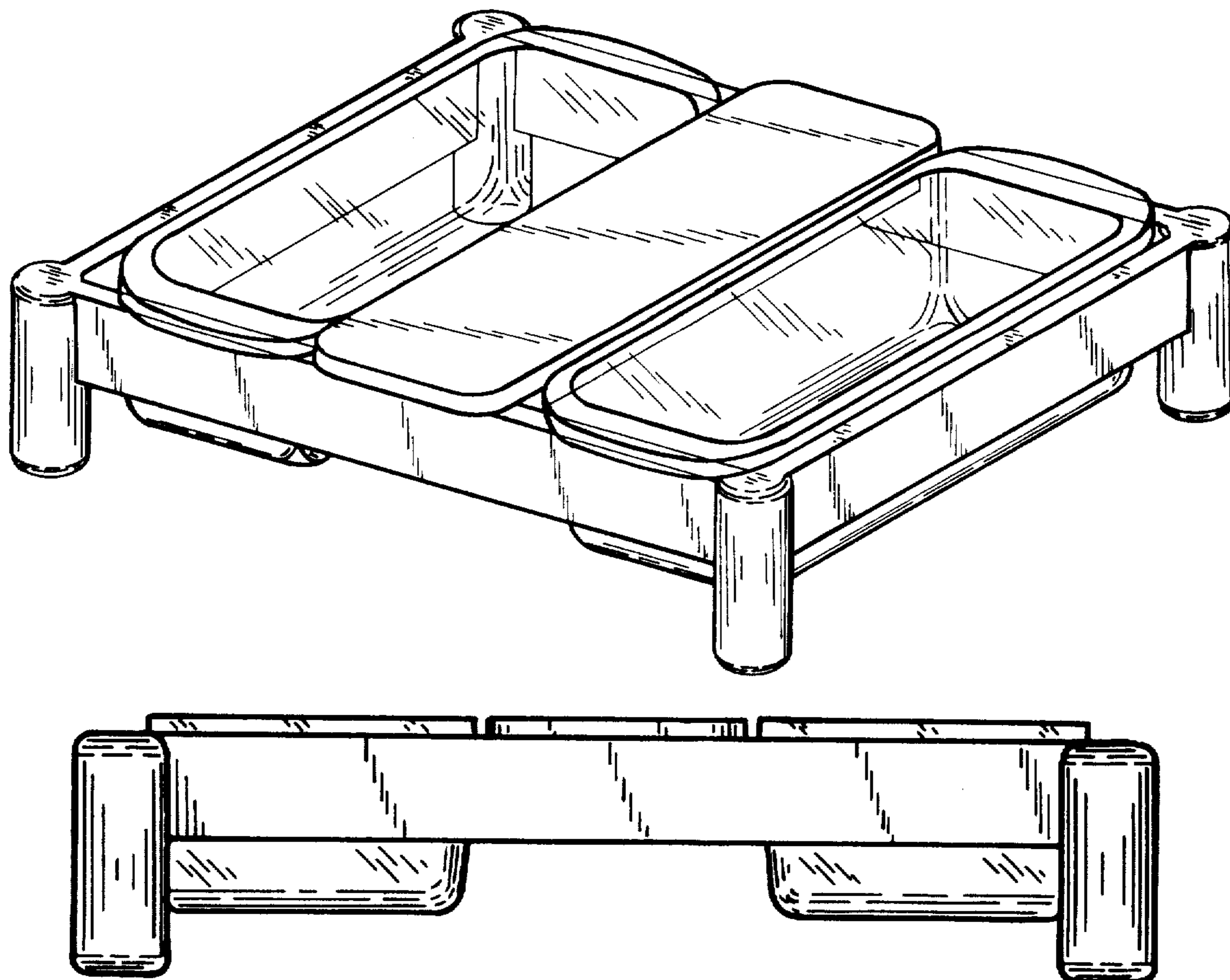
FIG. 5 is a side elevational view with the opposite side being identical;

FIG. 6 is an end elevational view with the opposite end being identical;

FIG. 7 is a front elevational view of the combined cutting board, serving dishes and support stand shown in FIG. 1 with the back elevational view being identical;

FIG. 8 is a side elevational view with the opposite side being identical;

FIG. 9 is an enlarged fragmental view of one corner of the support stand shown in FIG. 1.



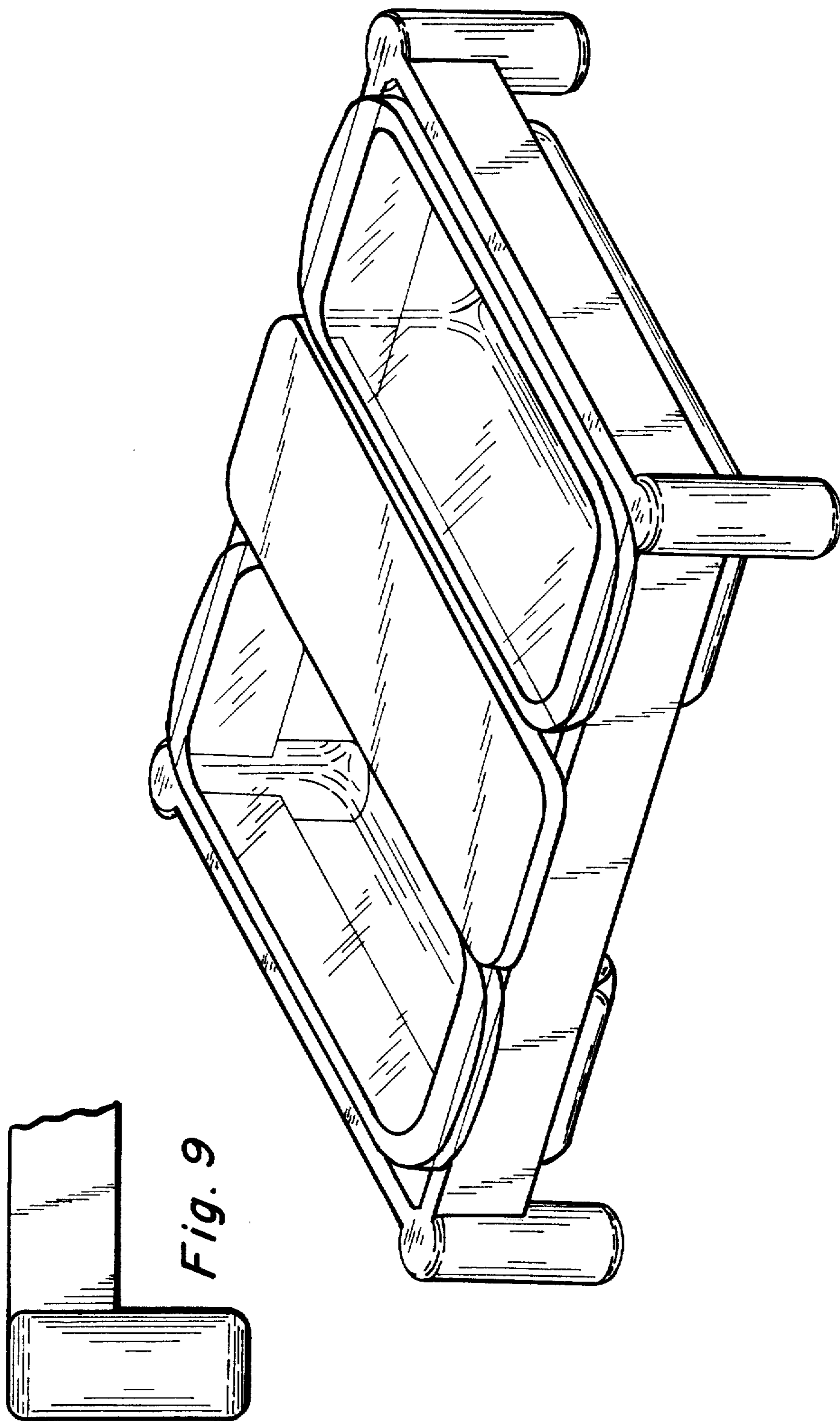


Fig. 9

Fig. 1

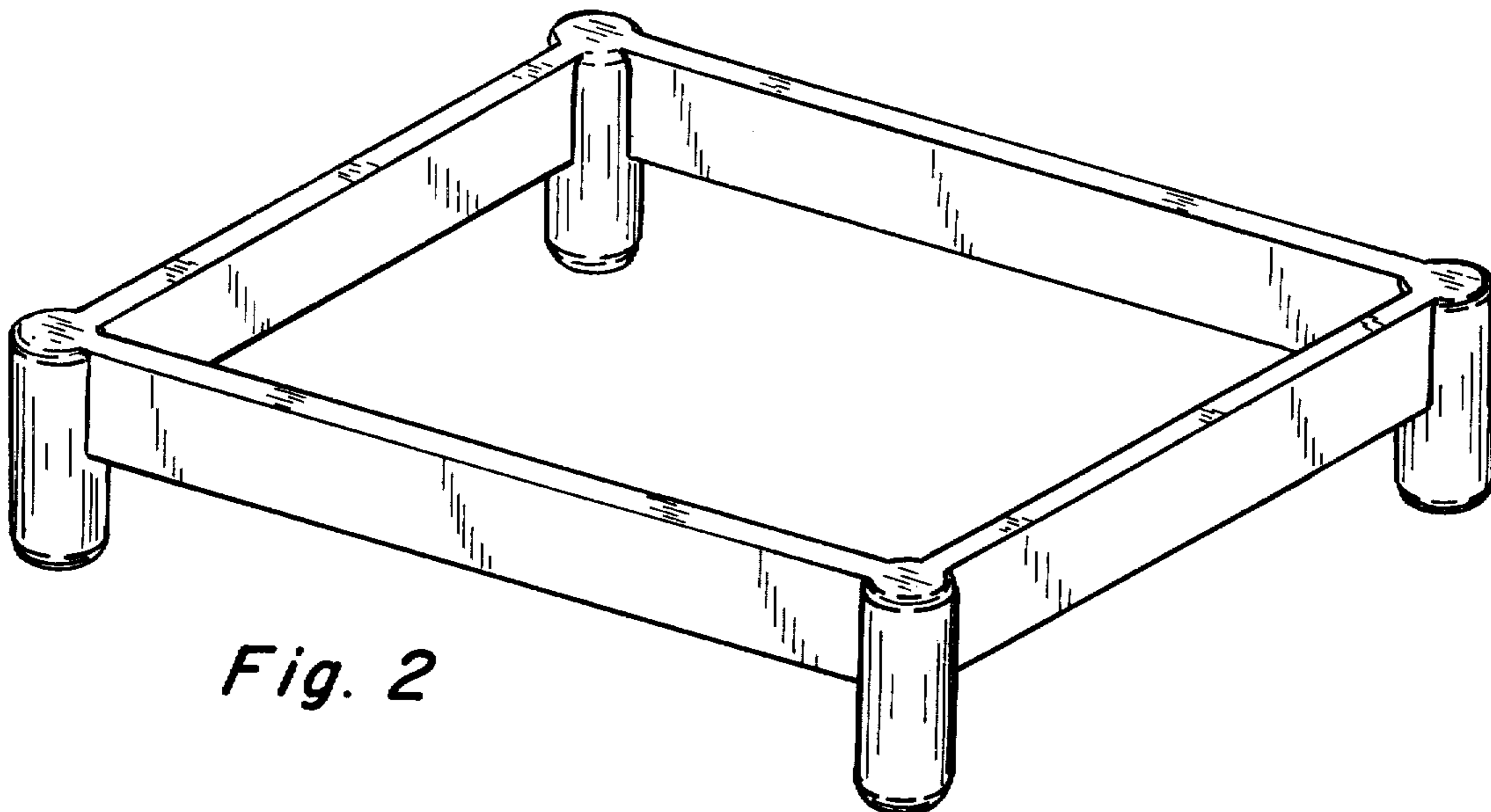


Fig. 2

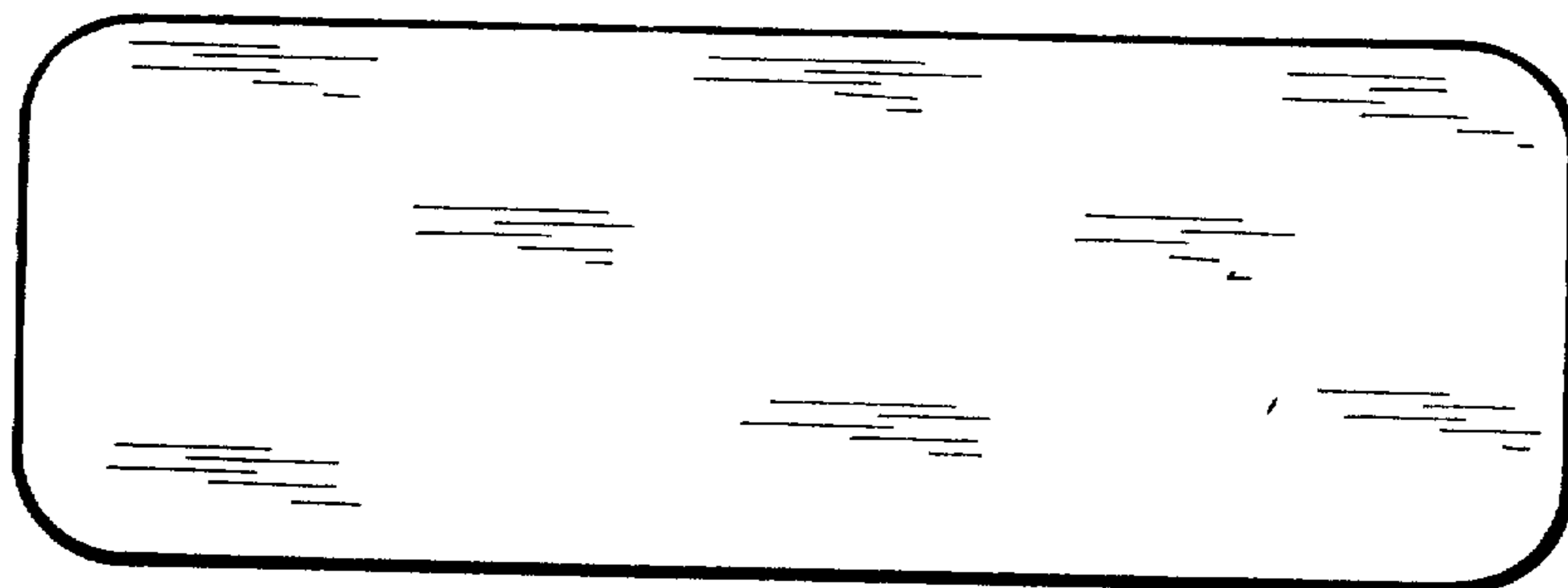


Fig. 3

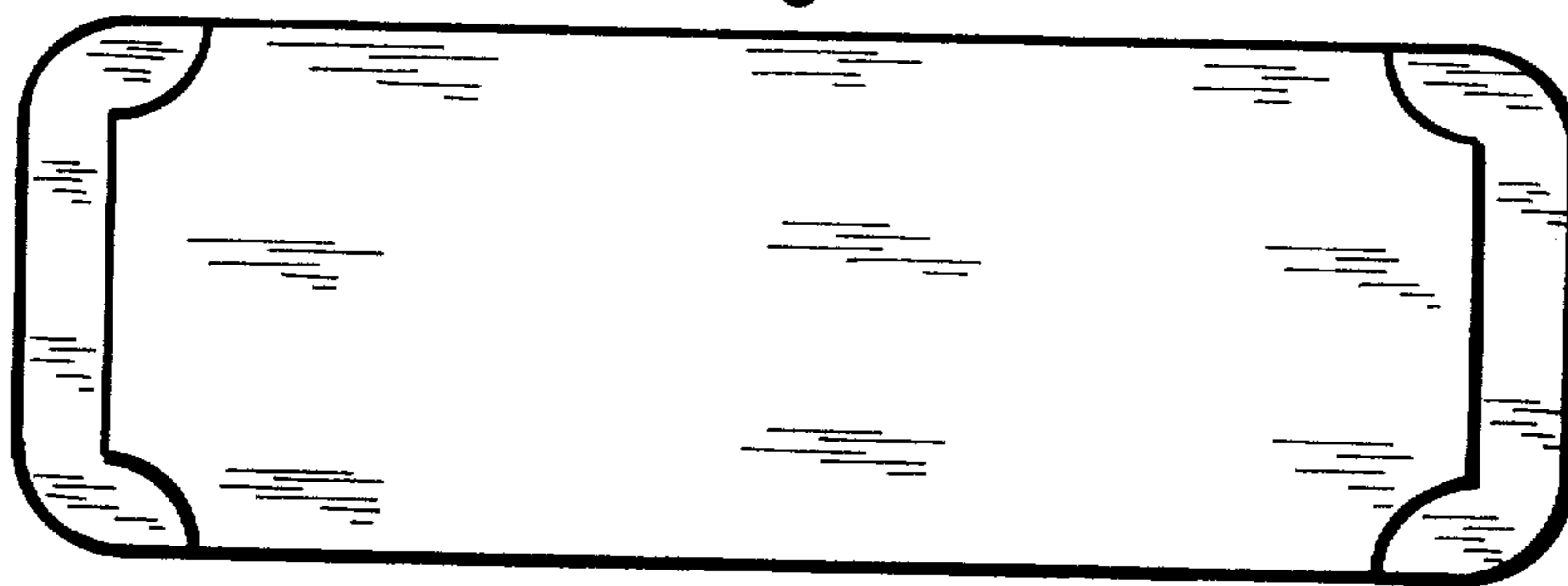


Fig. 4

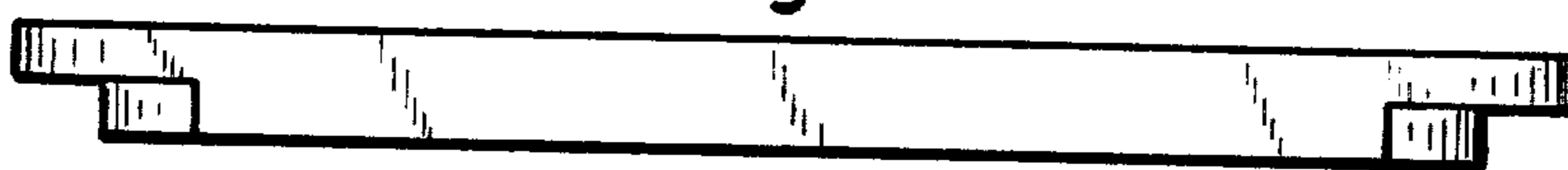


Fig. 5

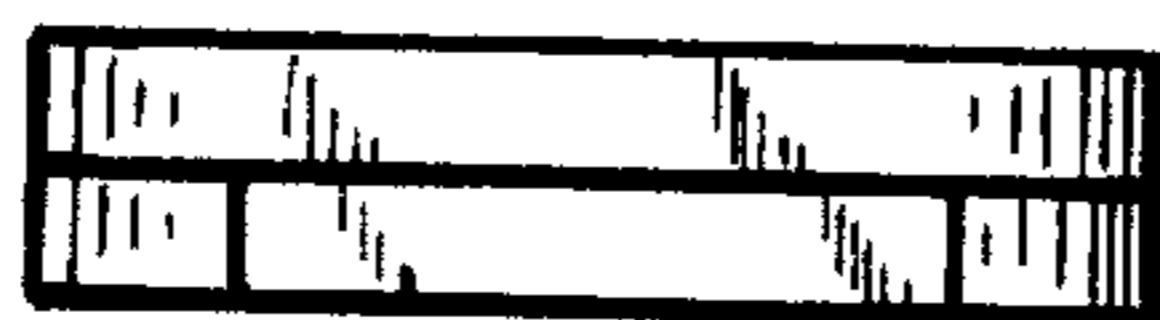


Fig. 6

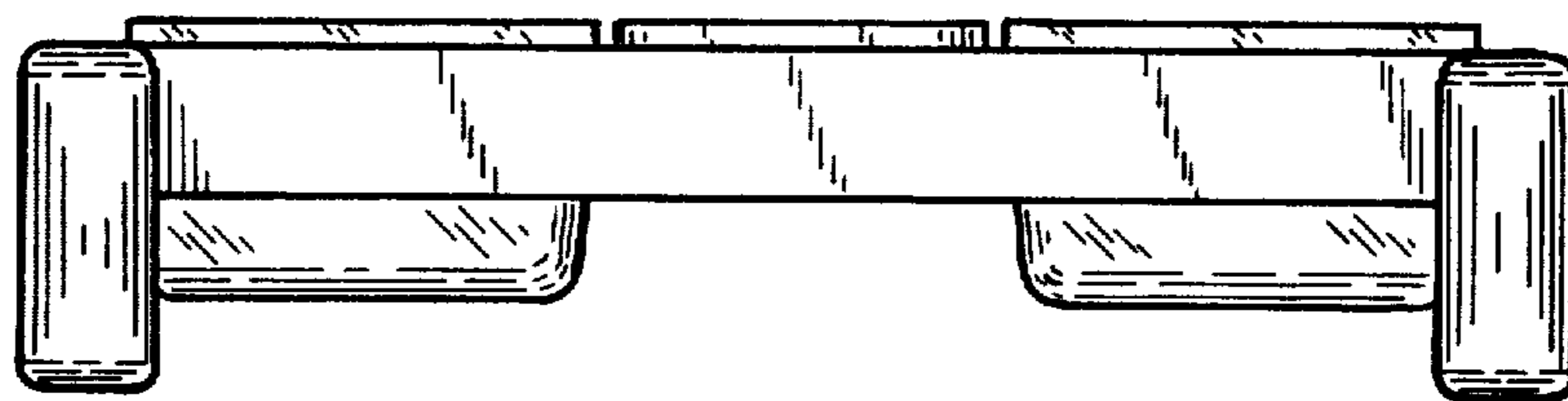


Fig. 7

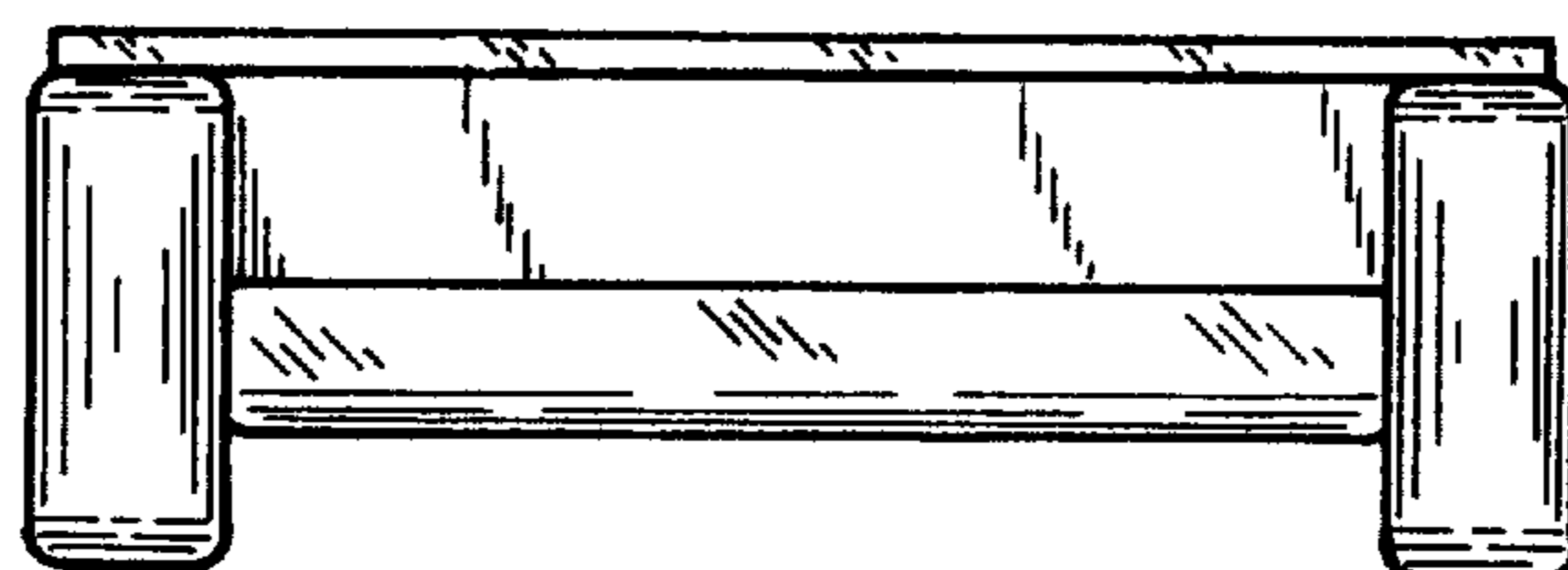


Fig. 8