

[54] COMBINED TOOTHBRUSH AND TUMBLER HOLDER

[75] Inventors: Gary A. Fleischmann, Sheboygan, Wis.; Lawrence C. Peabody, Rindge, N.H.

[73] Assignee: Kohler Co., Kohler, Wis.

[\*\*] Term: 14 Years

[21] Appl. No.: 138,836

[22] Filed: Apr. 10, 1980

[51] Int. Cl. .... D23-02

[52] U.S. Cl. .... D6/92; D6/93; D6/94

[58] Field of Search ..... D6/86-104, D6/114, 125; D7/70; 206/77.1; 211/13, 60 R, 60 T, 87, 88; 248/309 R, 311.2, 312

[56] References Cited

U.S. PATENT DOCUMENTS

D. 139,145 10/1944 Sadowski ..... D6/99

D. 158,138 4/1950 Simpson ..... D6/90  
D. 158,139 4/1950 Simpson ..... D6/92  
D. 184,012 12/1958 Hvale et al. .... D6/92  
D. 184,873 4/1959 Hvale et al. .... D6/90  
D. 256,861 9/1980 Ryan et al. .... D6/93  
1,177,232 3/1916 Chisholm ..... D6/91

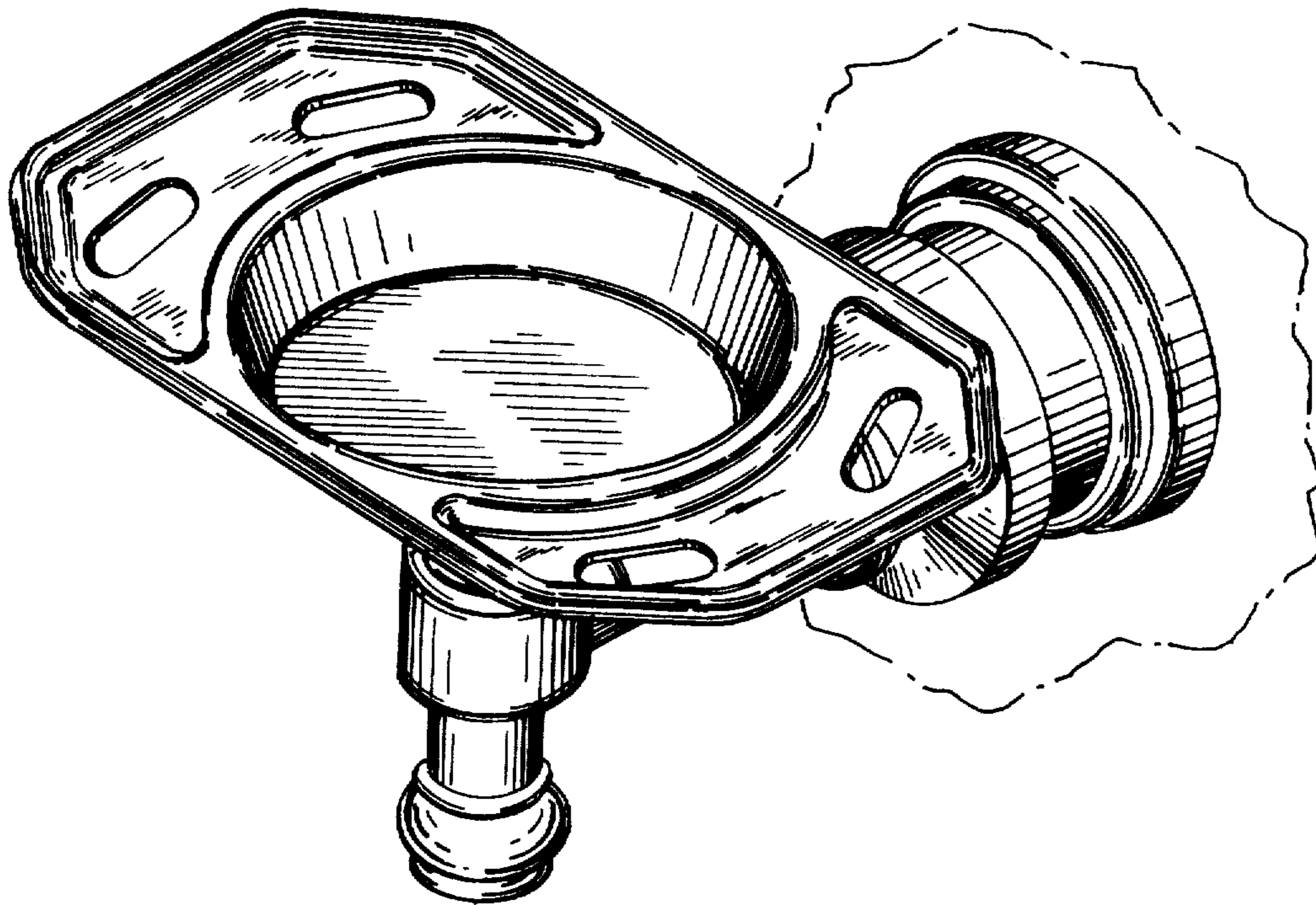
Primary Examiner—B. J. Bullock  
Attorney, Agent, or Firm—Quarles & Brady

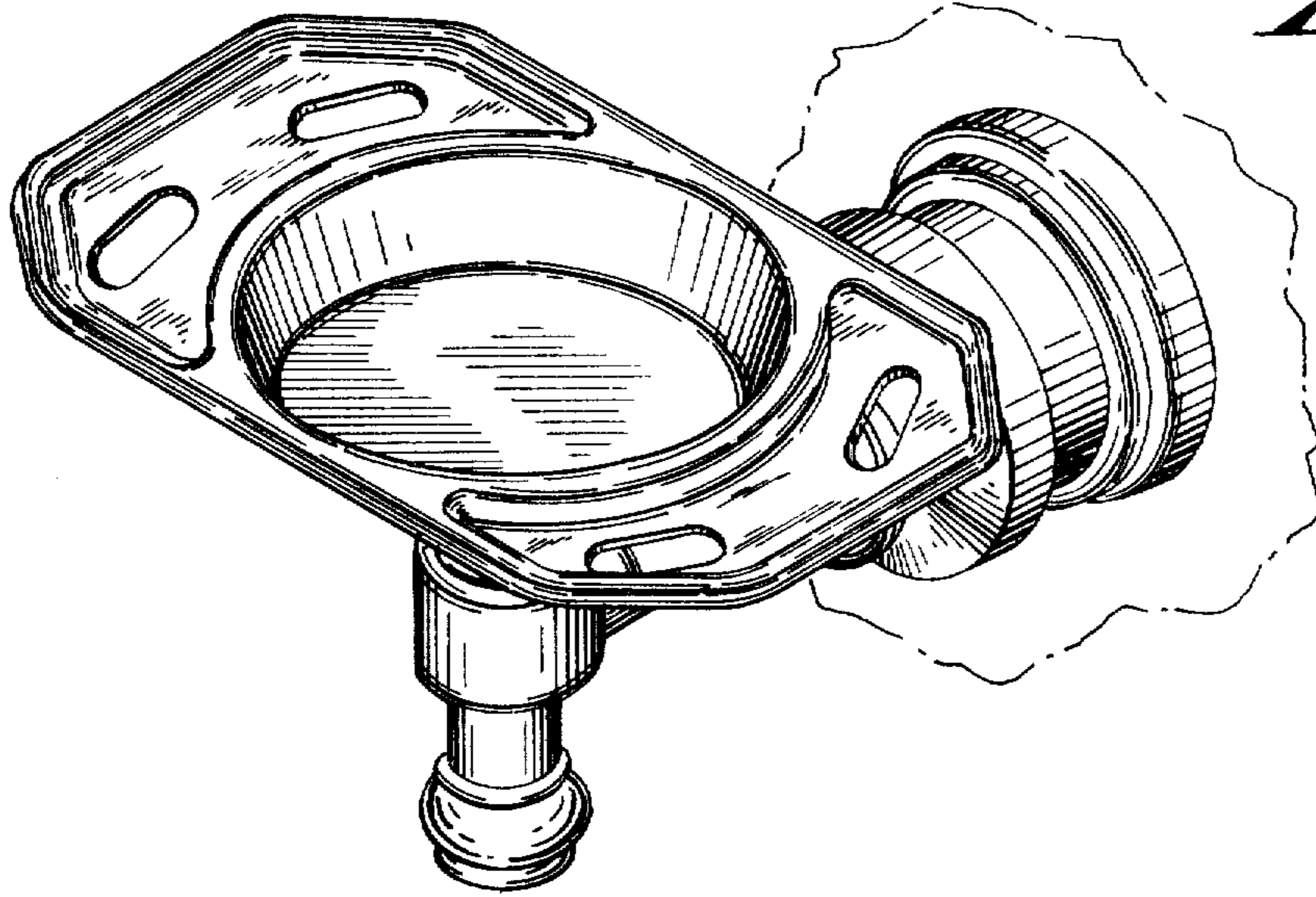
[57] CLAIM

The ornamental design for a combined toothbrush and tumbler holder, as shown and described.

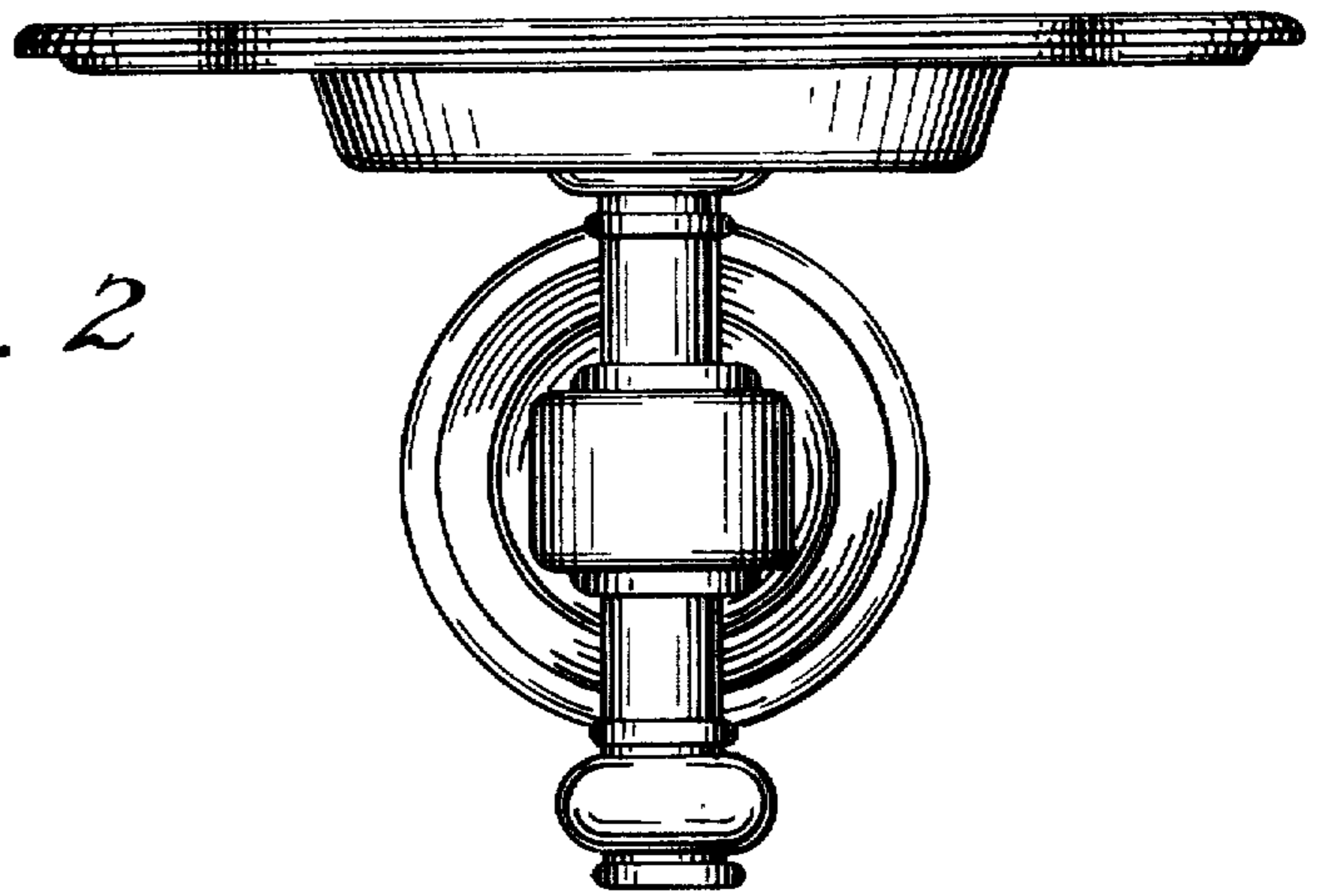
DESCRIPTION

FIG. 1 is a perspective view of a combined toothbrush and tumbler holder showing our new design, the portion of a wall being shown in broken lines for illustrative purposes only;  
FIG. 2 is a front elevational view thereof;  
FIG. 3 is a side elevational view thereof;  
FIG. 4 is a top plan view thereof; and  
FIG. 5 is a bottom plan view thereof.  
The fragmentary broken line representation of a wall in FIG. 1 is for purposes of illustration only.

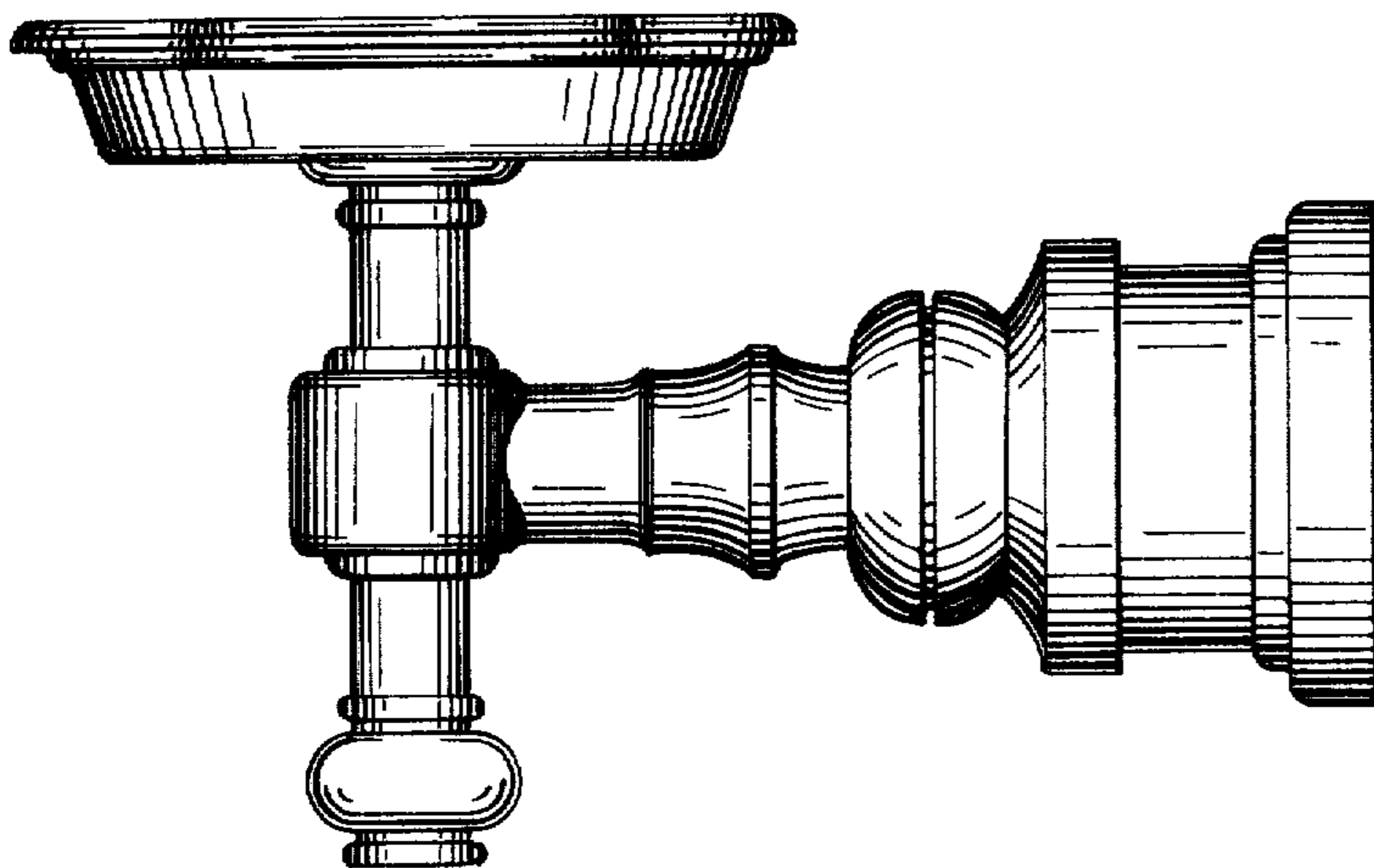




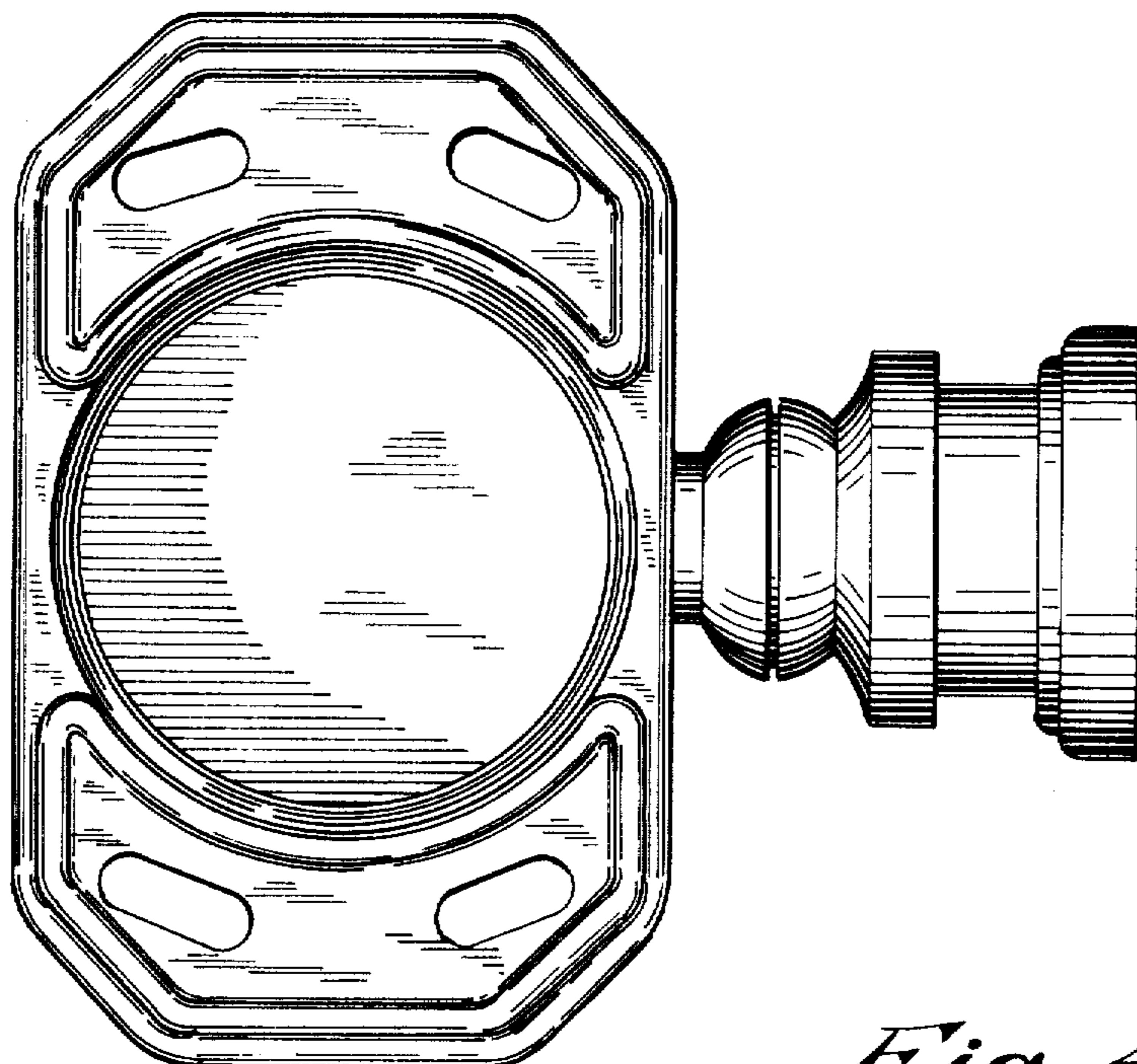
*Fig. 1*



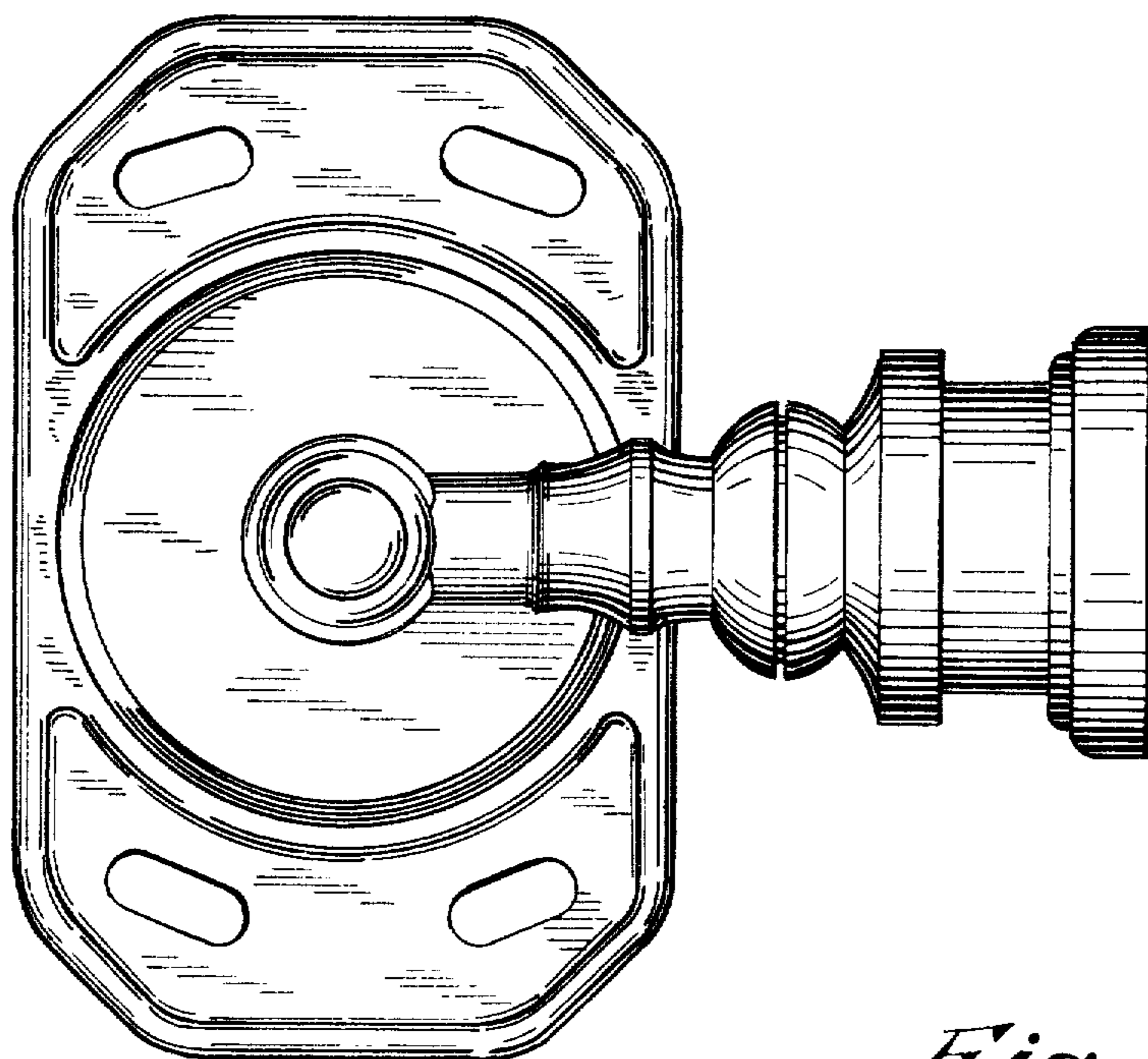
*Fig. 2*



*Fig. 3*



*Fig. 4*



*Fig. 5*