

[54] THREE WHEEL TROLLEY

[76] Inventor: John F. Miller, P.O. Box 277,
Howell, Mich. 48843

[**] Term: 14 Years

[21] Appl. No.: 20,662

[22] Filed: Mar. 15, 1979

[51] Int. Cl. D12-05

[52] U.S. Cl. D34/35

[58] Field of Search D12/60, 54; D8/373;
105/150, 152, 154, 155; 104/93

[56] References Cited

U.S. PATENT DOCUMENTS

876,486 1/1908 Pfaffenbach 105/152

OTHER PUBLICATIONS

Material Flow Inc. Catalog No. 762, ©1976, p. 86,
Trolley, bottom left side of page.

Primary Examiner—James M. Gandy
Attorney, Agent, or Firm—Burton, Parker & Schramm

[57] CLAIM

The ornamental design for a three wheel trolley, as shown.

DESCRIPTION

FIG. 1 is a front elevational view of a three wheel trolley showing my new design;
FIG. 2 is a rear elevational view thereof;
FIG. 3 is a top plan view thereof;
FIG. 4 is a side elevational view thereof; and
FIG. 5 is a bottom plan view thereof.

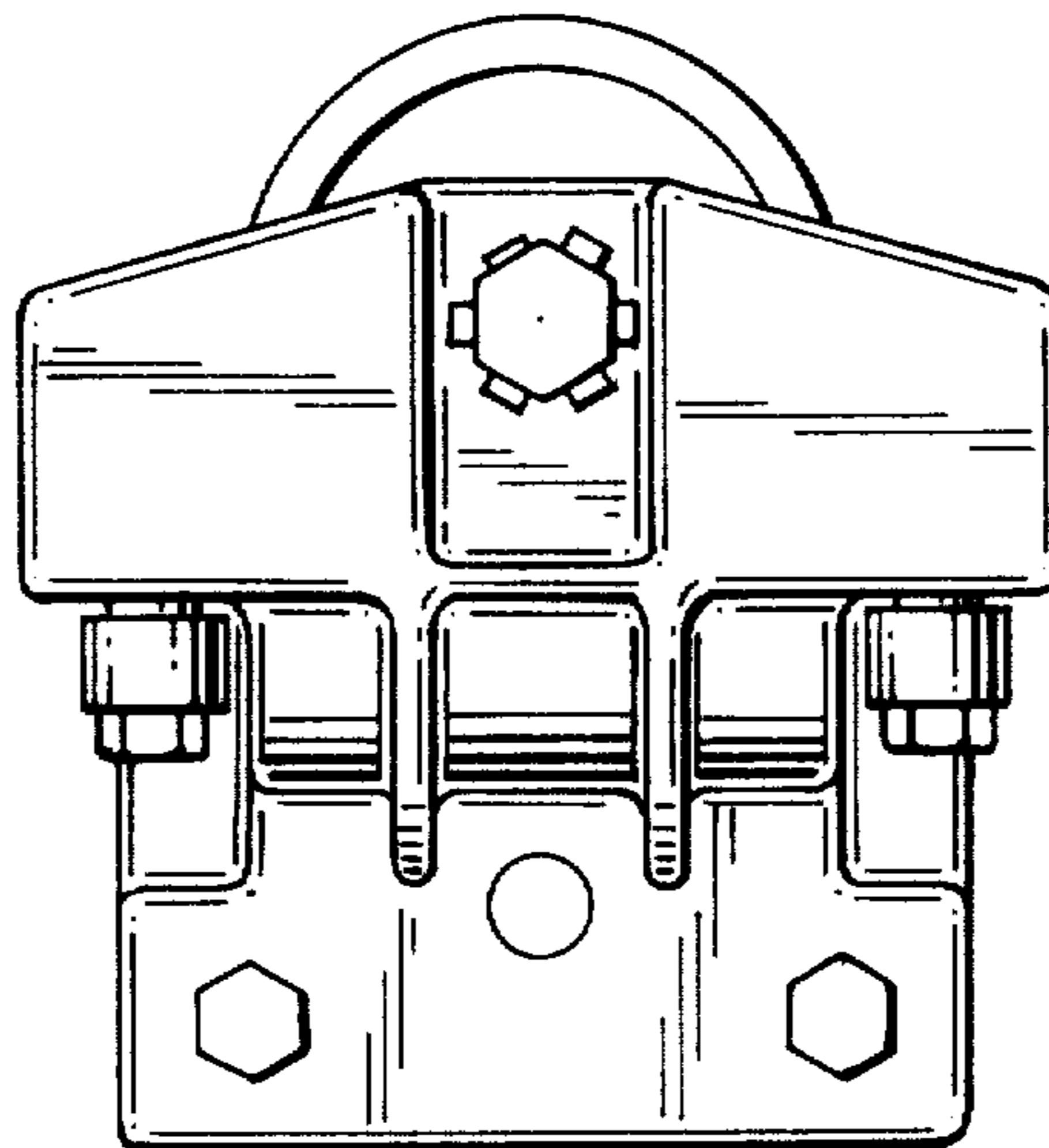


FIG. 1

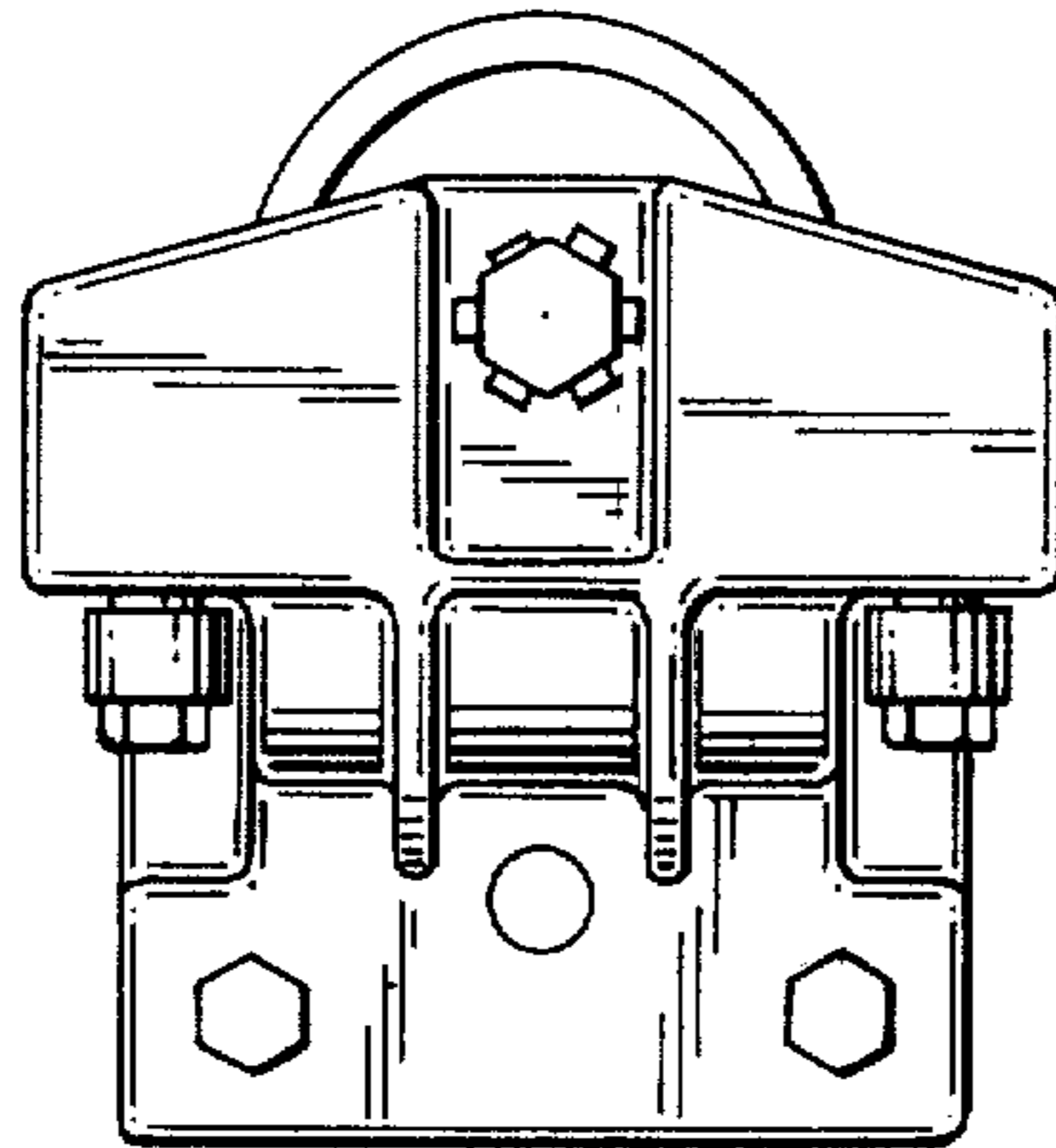


FIG. 2

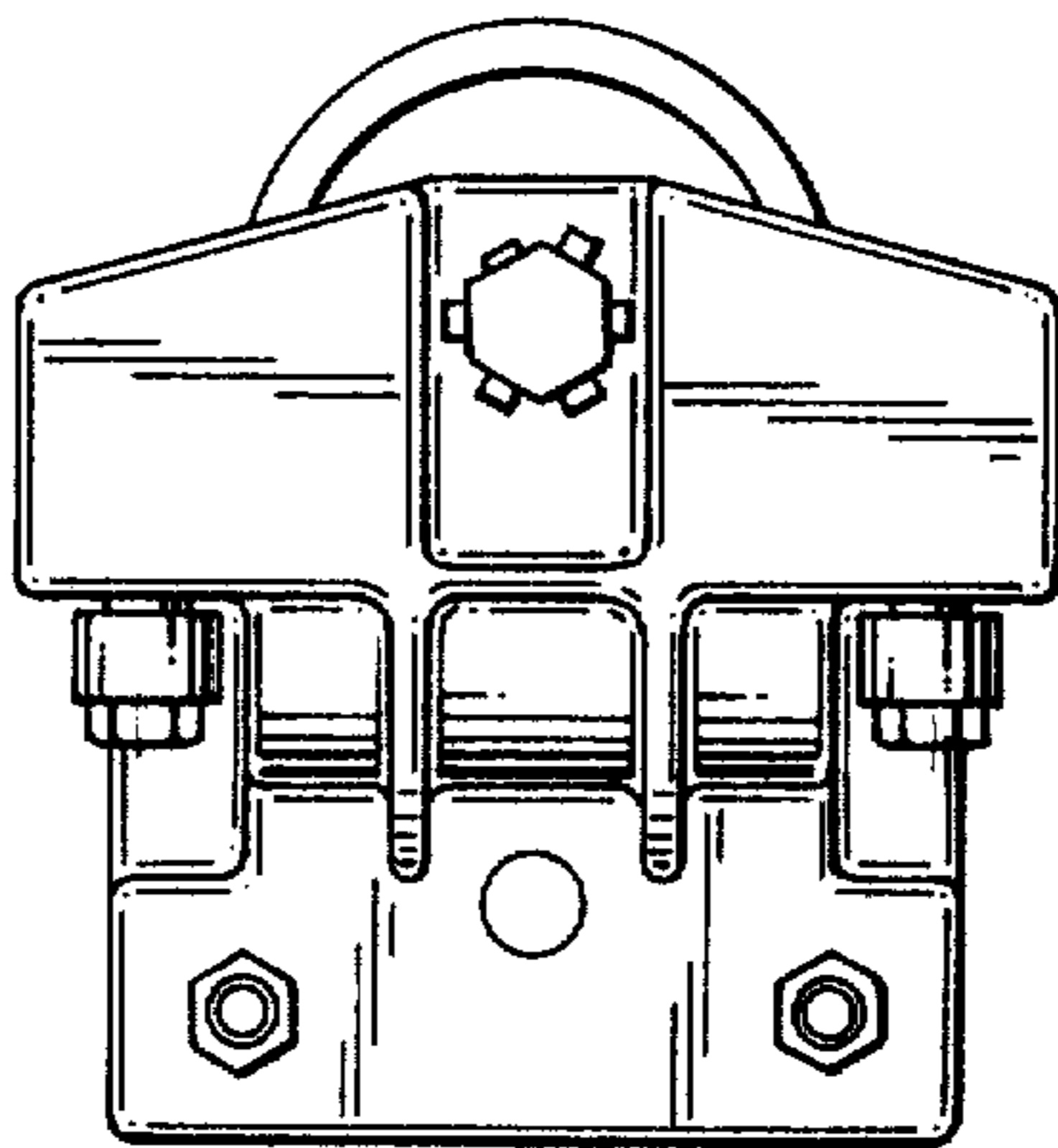


FIG. 3

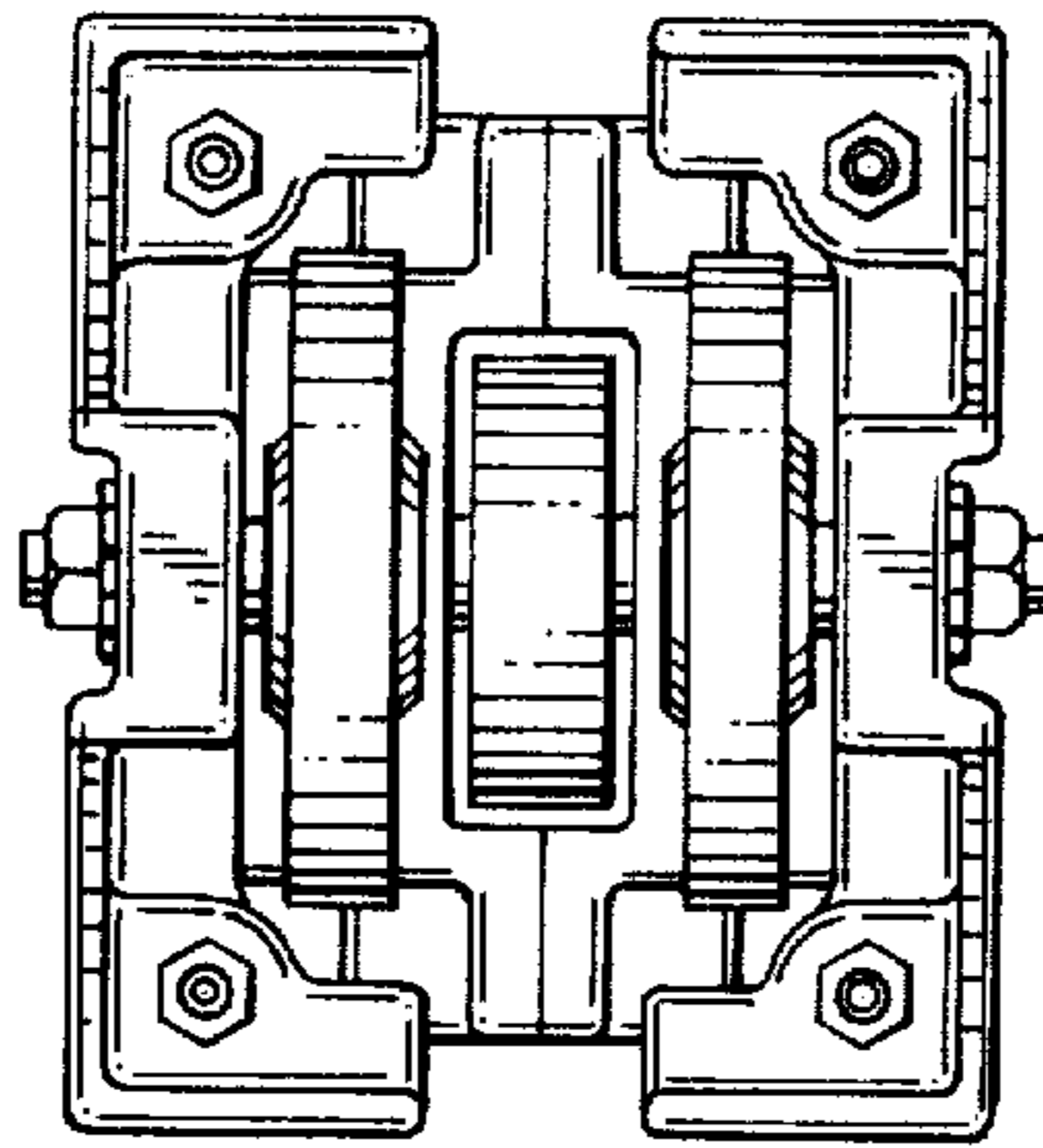


FIG. 4

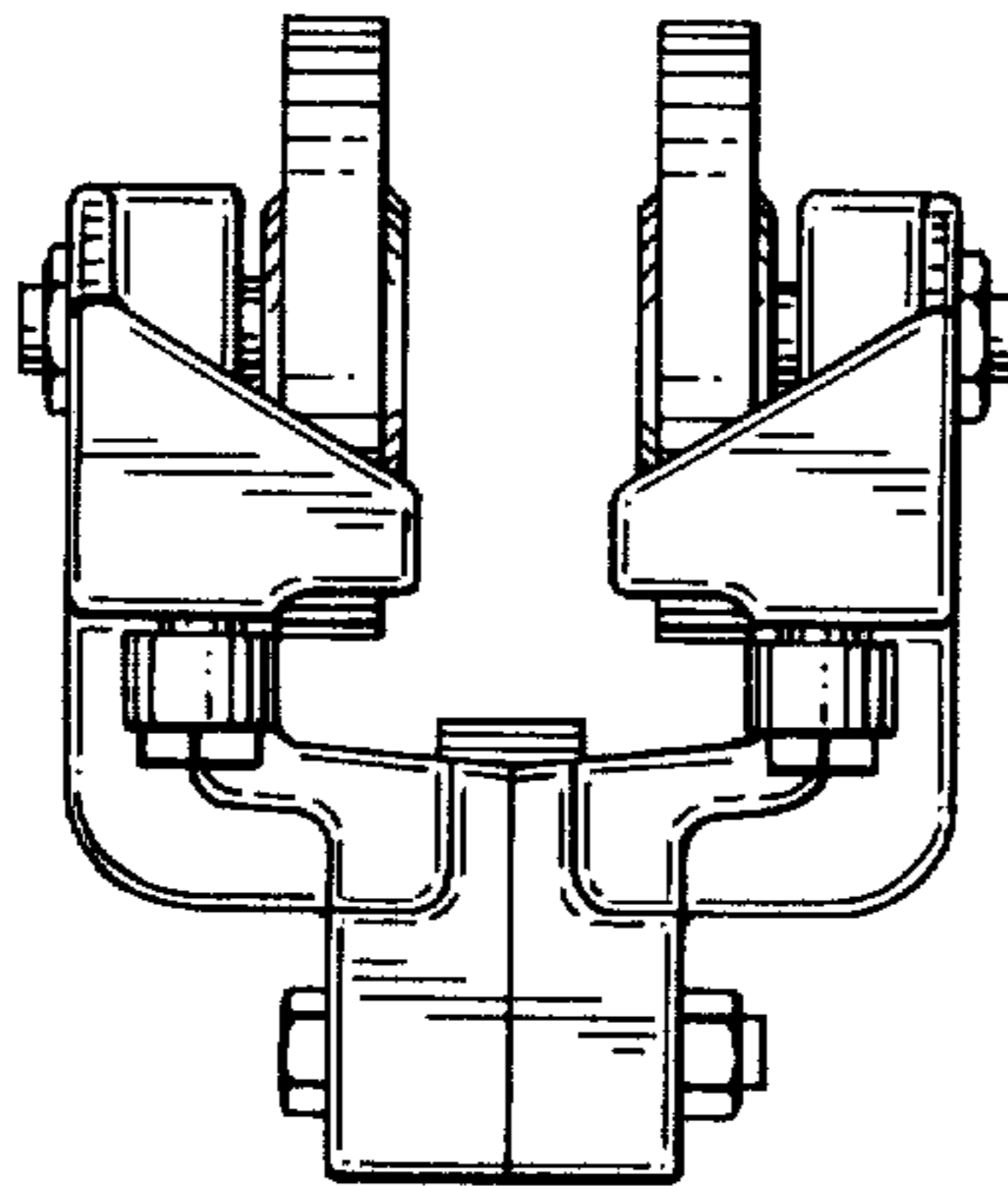


FIG. 5

