

[54] BIRD FEEDER

[75] Inventor: Peter Kilham, Foster, R.I.

[73] Assignee: Droll Yankees, Inc., Foster, R.I.

[\*\*] Term: 14 Years

[21] Appl. No.: 75,977

[22] Filed: Sep. 17, 1979

[51] Int. Cl. .... D30-03

[52] U.S. Cl. .... D30/14; 119/51 R

[58] Field of Search .... D30/13-18; 119/51 R, 52

[56] References Cited

U.S. PATENT DOCUMENTS

- D. 231,369 4/1974 Kilham ..... D30/14
- D. 245,715 9/1977 Eldridge ..... D30/14

- D. 251,021 2/1979 Blasbolg ..... D30/15
- D. 252,591 8/1979 Hyde, Jr. .... D30/14
- 3,568,641 3/1971 Kilham ..... D30/14 X
- 3,646,911 3/1972 Parson ..... 119/51 R
- 4,188,913 2/1980 Earl et al. .... 119/51 R

Primary Examiner—James R. Largen  
Attorney, Agent, or Firm—Salter & Michaelson

[57] CLAIM

The novel design for a bird feeder, as shown and described.

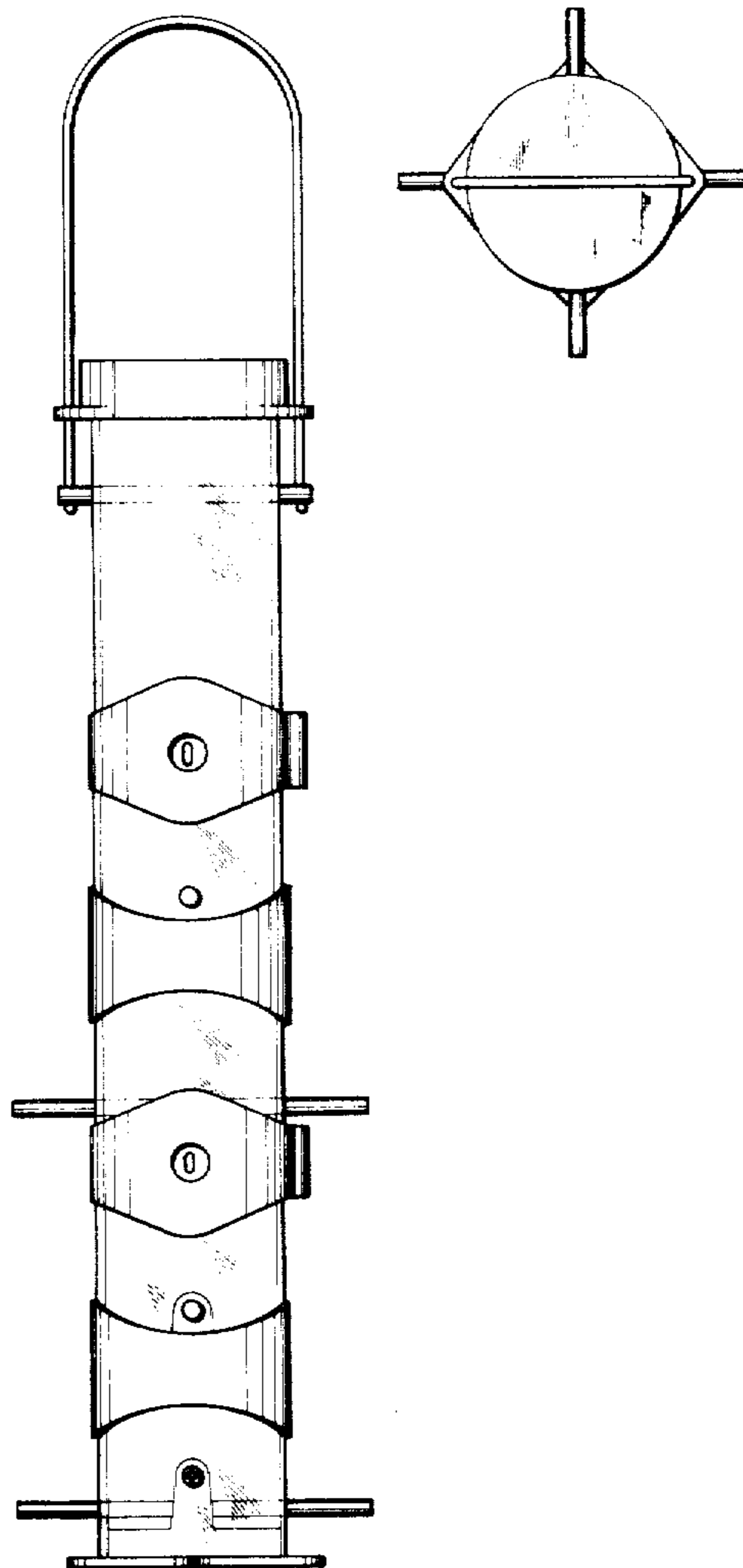
DESCRIPTION

FIG. 1 is a front elevational view of a bird feeder showing my new design, the rear being a mirror image of the front shown;

FIG. 2 is a right side elevational view thereof, the left side being a mirror image of the right side shown;

FIG. 3 is a top plan view thereof; and

FIG. 4 is a bottom view thereof.



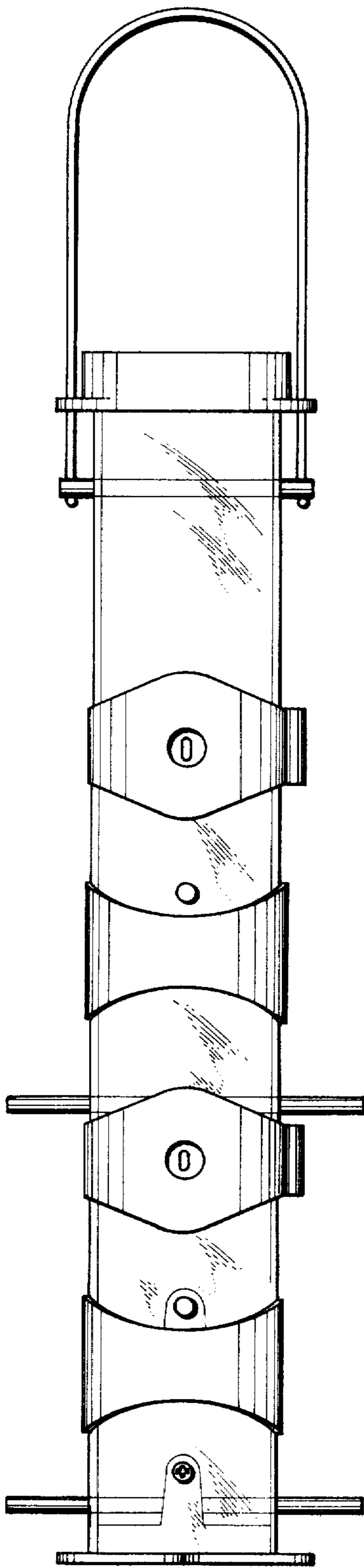


FIG. 1

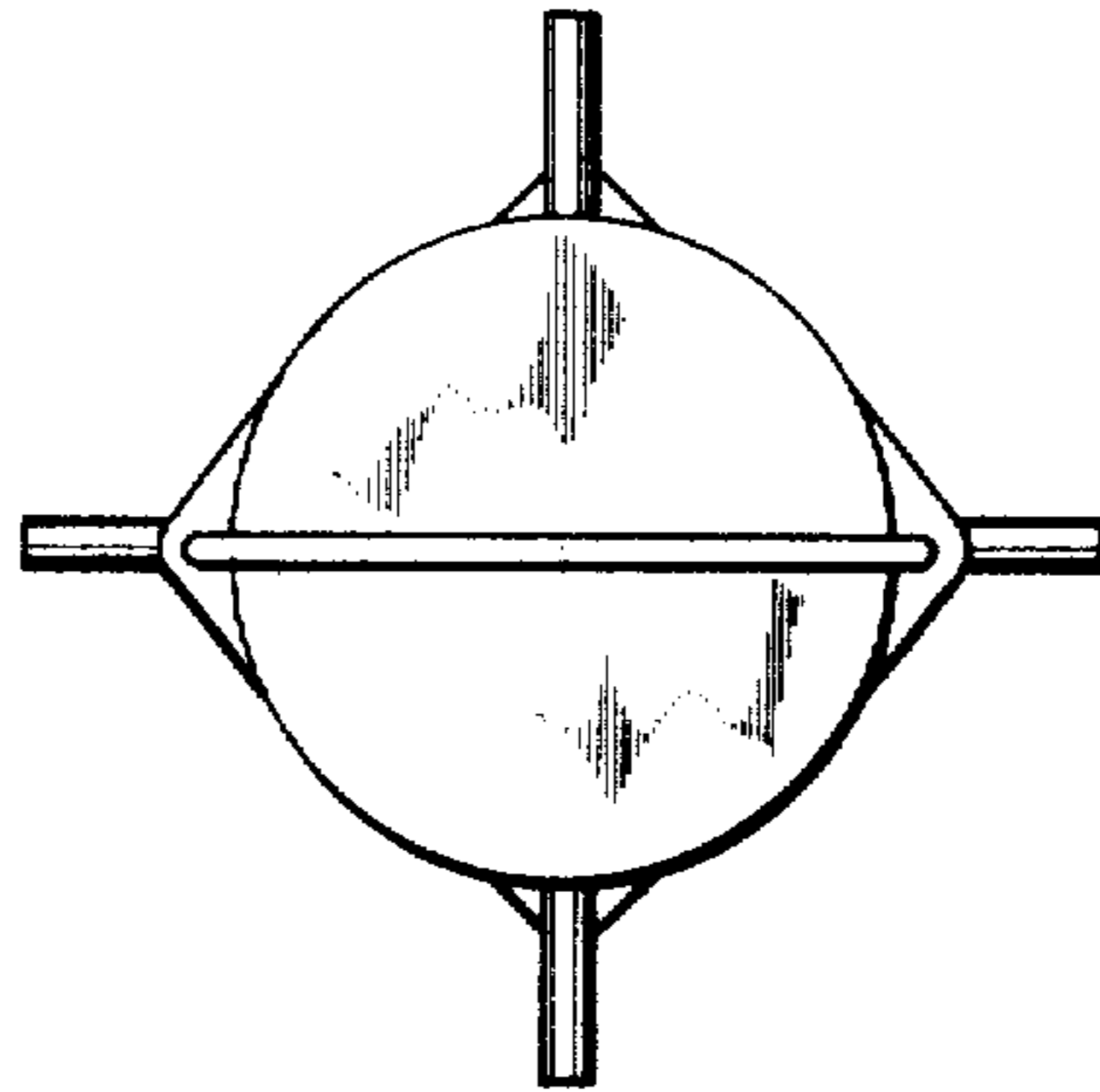


FIG. 3

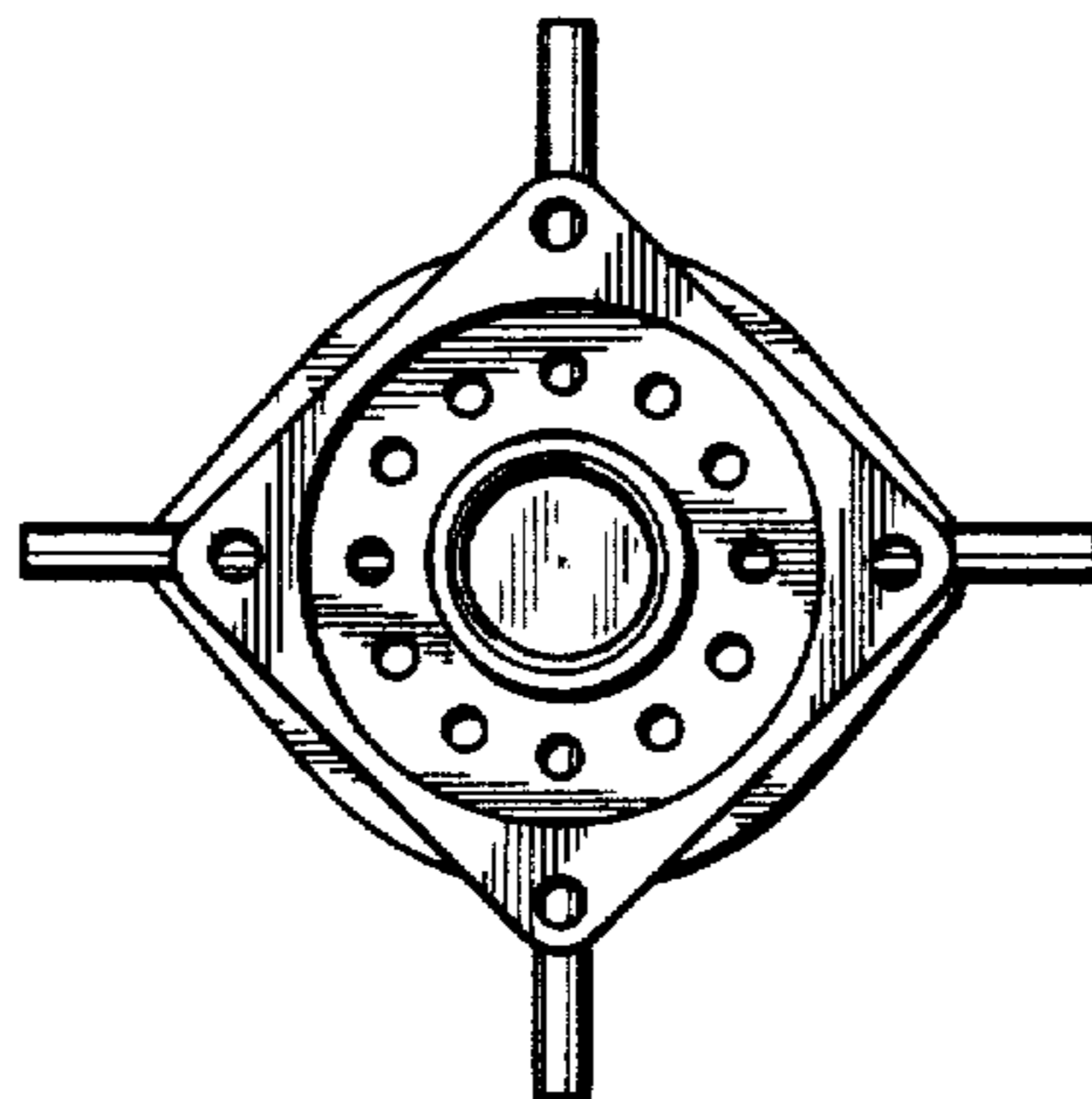


FIG. 4

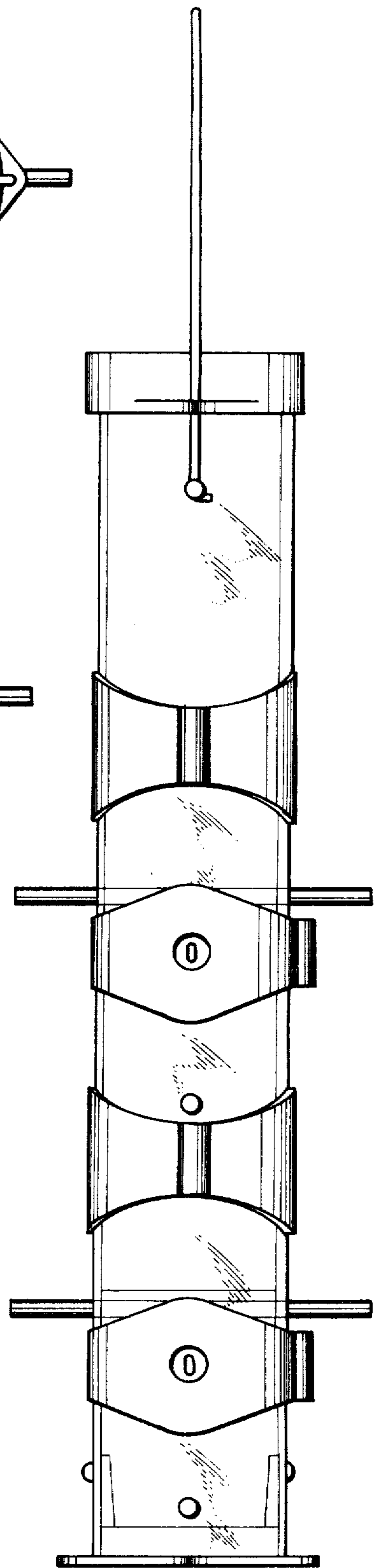


FIG. 2