

[54] CANDLE HOLDER

[75] Inventor: Henry P. Glass, Northfield, Ill.
 [73] Assignee: Westerlo House, Inc., Westerlo, N.Y.
 [**] Term: 7 Years
 [21] Appl. No.: 76,203
 [22] Filed: Sep. 17, 1979
 [51] Int. Cl. D26-01
 [52] U.S. Cl. D26/13
 [58] Field of Search D26/6-23;
 431/288-297; 362/161

[56] References Cited

U.S. PATENT DOCUMENTS

1,975,522 10/1934 Swobe 431/295
 3,315,497 4/1967 MacDonald 431/292 X
 3,493,315 2/1970 Nissen 431/295
 3,695,458 10/1972 Nagel 431/295

FOREIGN PATENT DOCUMENTS

592272 10/1977 Switzerland 361/161

OTHER PUBLICATIONS

Tableware International, 9-1976, p. 25, Iron Candle Holders.
 Tableware International, 1-1977, p. 26-Stacked Mugs.
 Primary Examiner—Susan J. Lucas
 Attorney, Agent, or Firm—Rummler & Snow

[57] CLAIM

The ornamental design for a candle holder, as shown and described.

DESCRIPTION

FIG. 1 is a perspective view of a candle holder showing my new design;
 FIG. 2 is a perspective view of a second embodiment of my design for a candle holder.

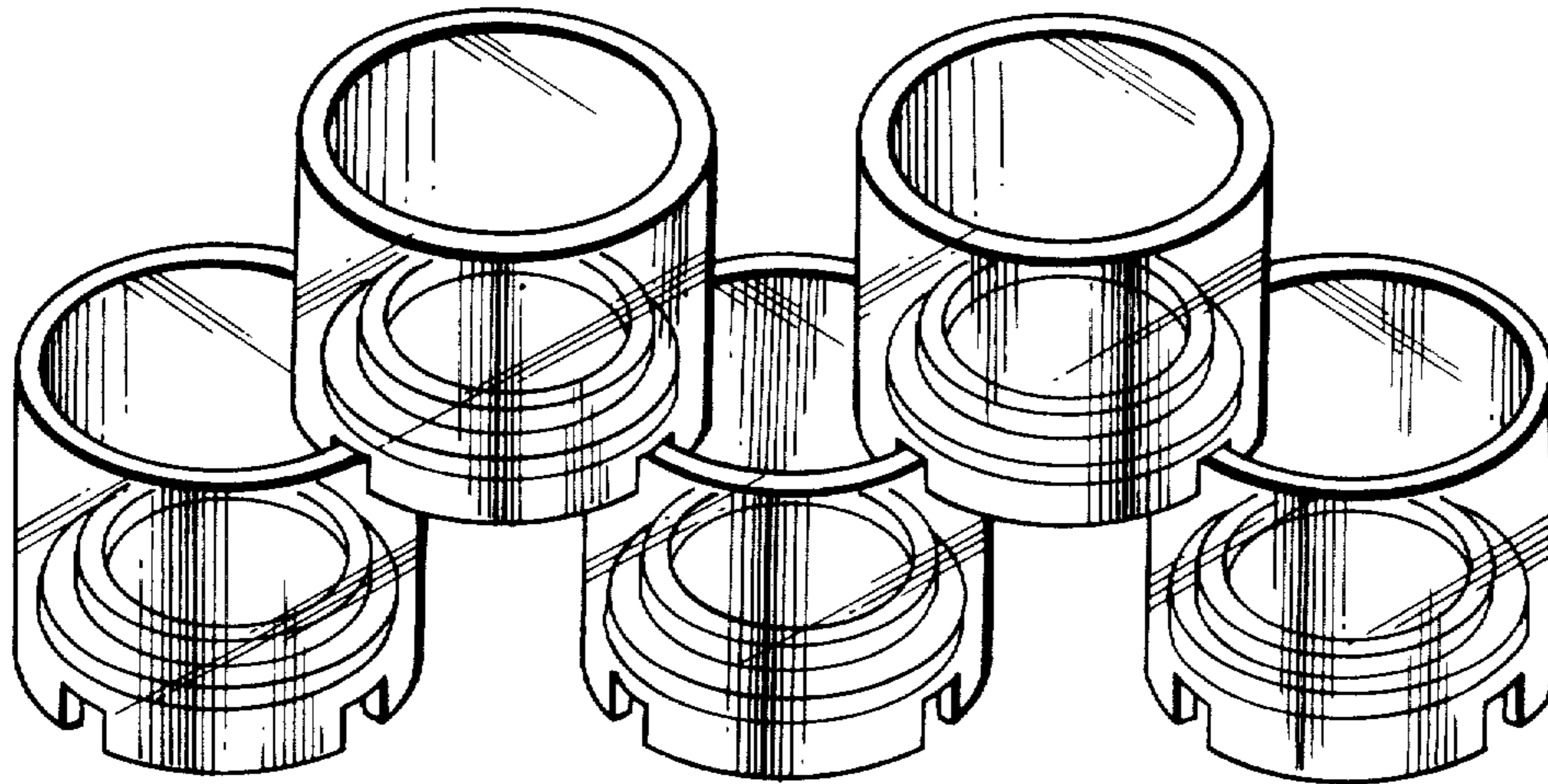


FIG. 1

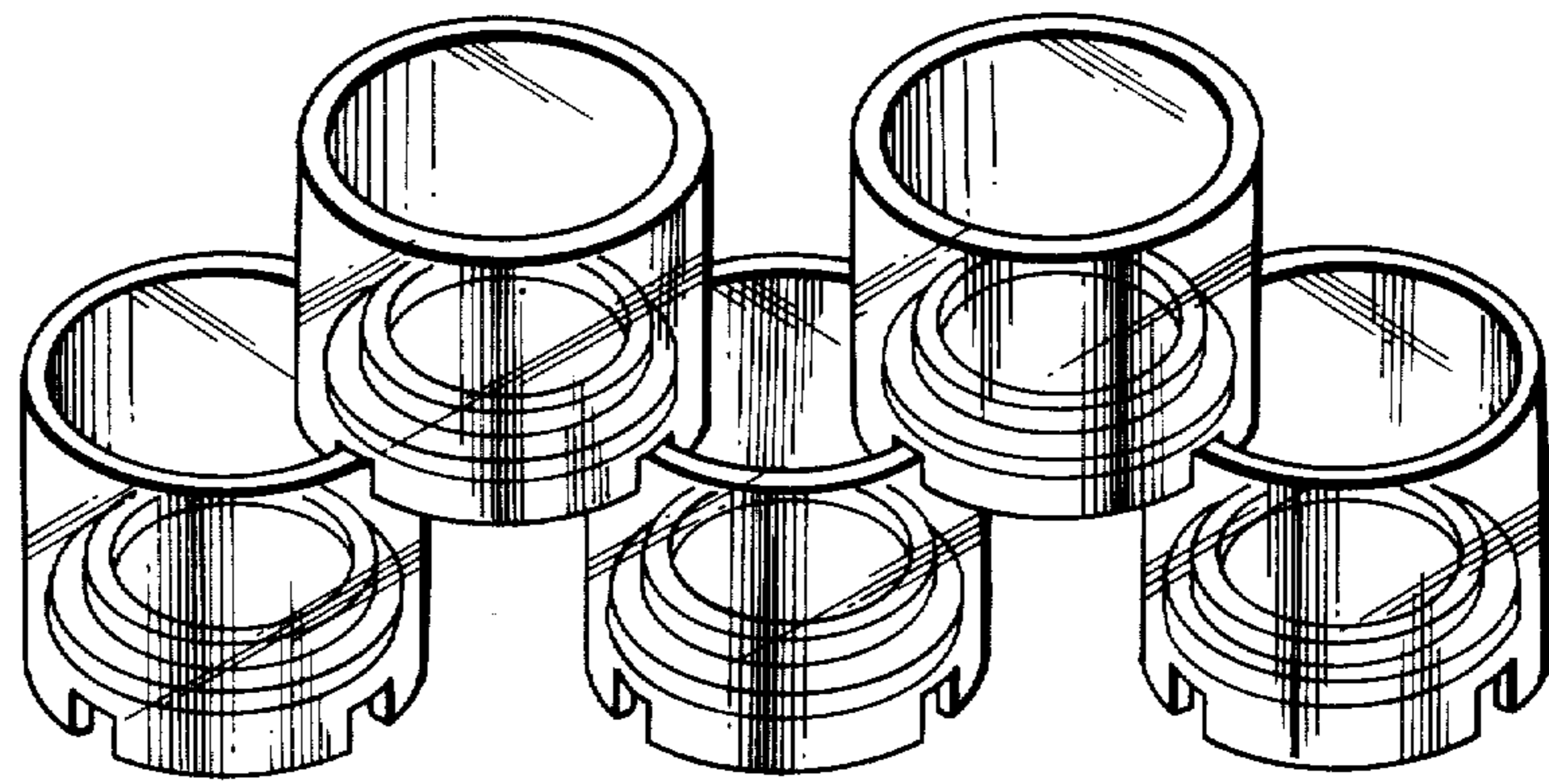


FIG. 2

