

[54] **ROOM DEDORANT DISPENSER**

[75] Inventors: **Richard C. Palson**, Medfield; **John C. Armstrong**, Milton, both of Mass.

[73] Assignee: **The Pharmasol Corporation**, Randolph, Mass.

[**] Term: **14 Years**

[21] Appl. No.: **74,915**

[22] Filed: **Sep. 13, 1979**

D. 254,986 5/1980 Palson et al. D23/150
 2,579,715 12/1951 Wilson et al. 239/57
 2,657,090 10/1953 Meek 239/59 X
 2,711,346 6/1955 Irwin et al. 239/57
 3,521,816 7/1970 Wilson 239/60

Primary Examiner—James R. Largen
Attorney, Agent, or Firm—Robert E. Meyer

[57] **CLAIM**

The ornamental design for a room deodorant dispenser, as shown.

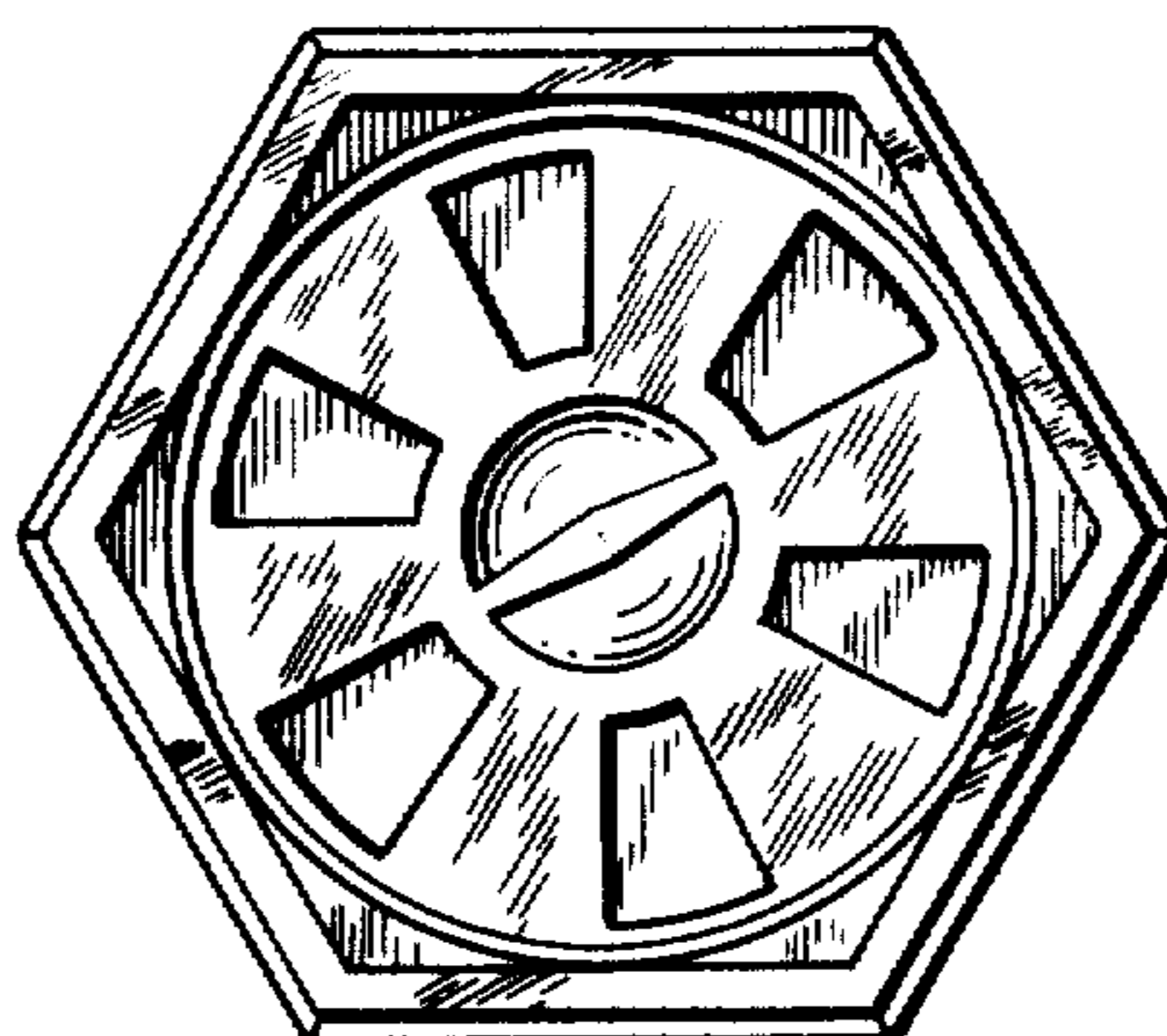
DESCRIPTION

FIG. 1 is a top plan view of a room deodorant dispenser showing our new design;
 FIG. 2 is another top plan view thereof showing the dispenser in an open position;
 FIG. 3 is a bottom plan view;
 FIG. 4 is a side elevation;
 FIG. 5 is another side elevation taken 90 degrees from the side shown in FIG. 4;
 FIG. 6 is a cross-sectional view along line 6—6 of FIG. 2.

[51] Int. Cl. **D23—04**
 [52] U.S. Cl. **D23/150**
 [58] Field of Search D23/150; 239/34—36, 239/54—60; 222/565, 548

[56] **References Cited**
U.S. PATENT DOCUMENTS

D. 47,768 8/1915 Wilgus D23/150
 D. 212,420 10/1968 Wilson D23/150
 D. 242,621 12/1976 Curran D23/150



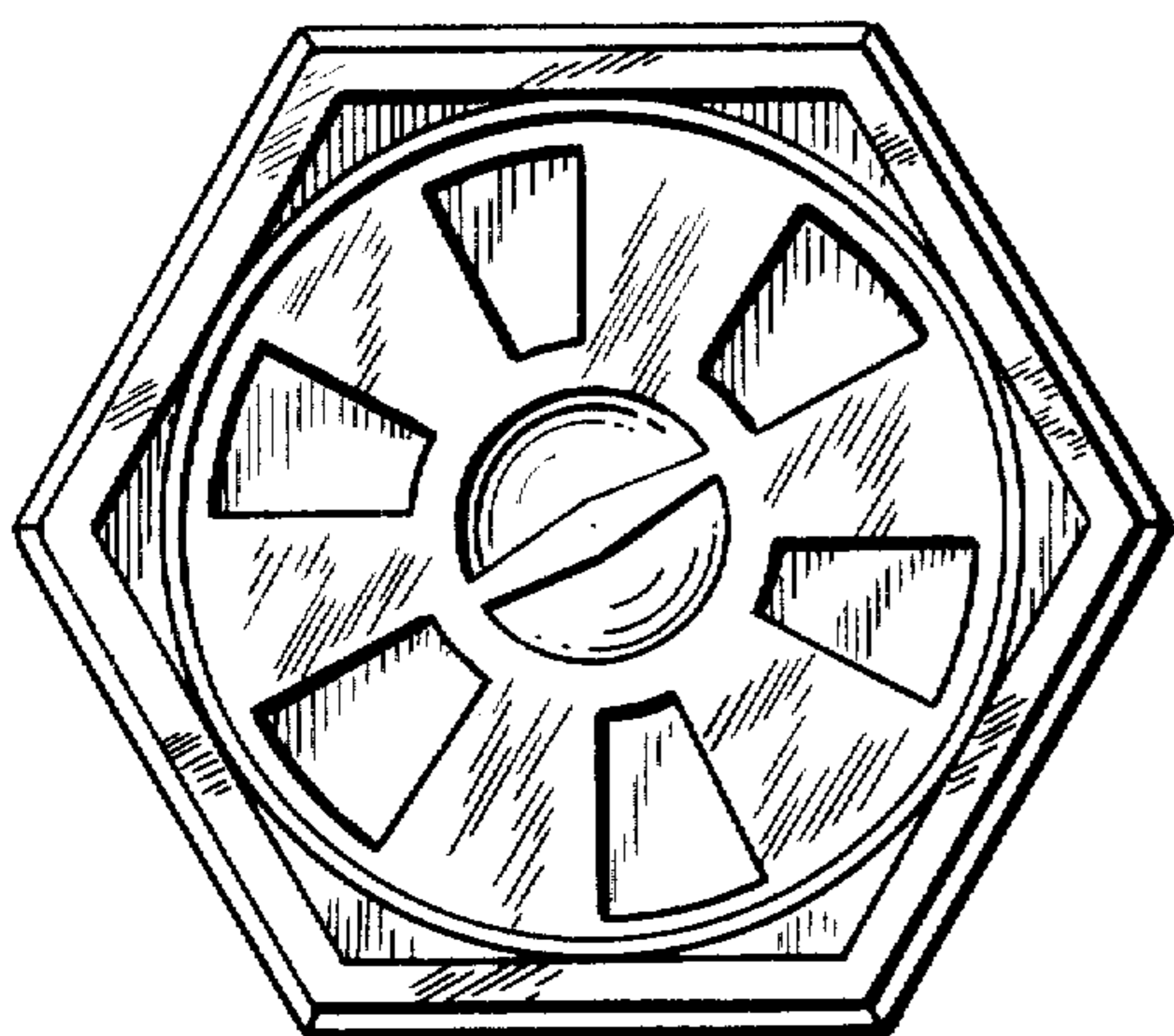


FIG. 1

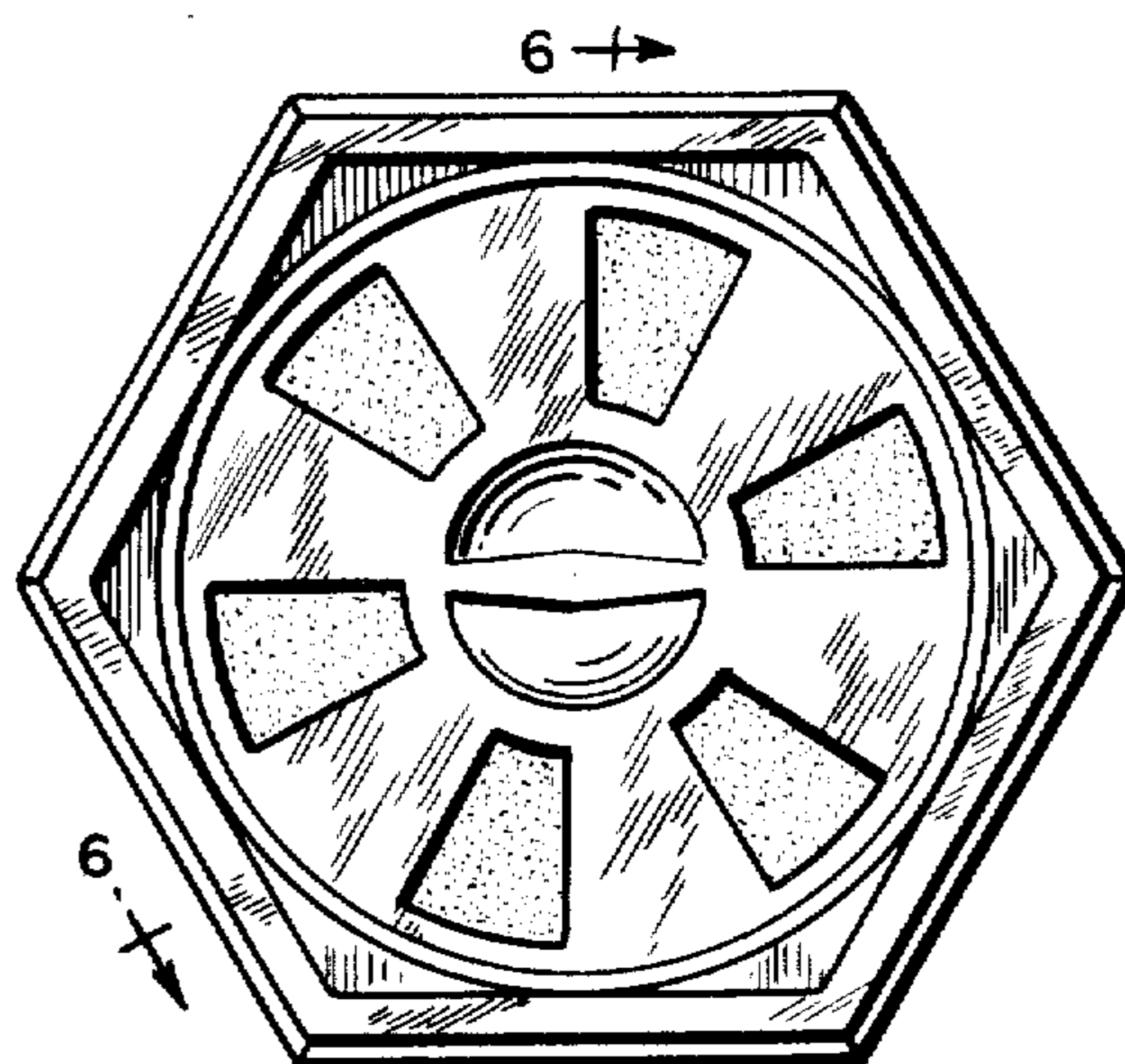


FIG. 2

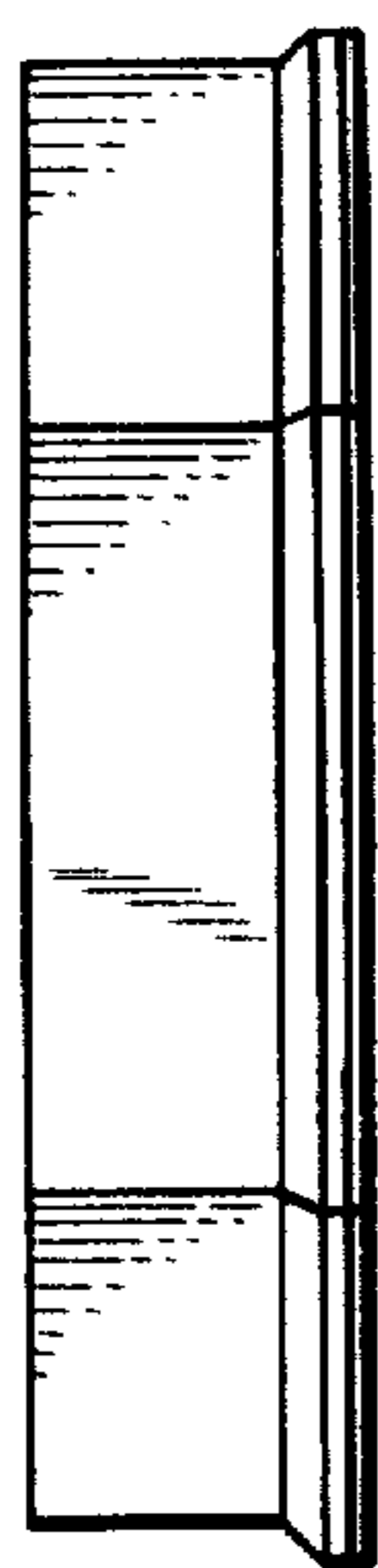


FIG. 4



FIG. 5

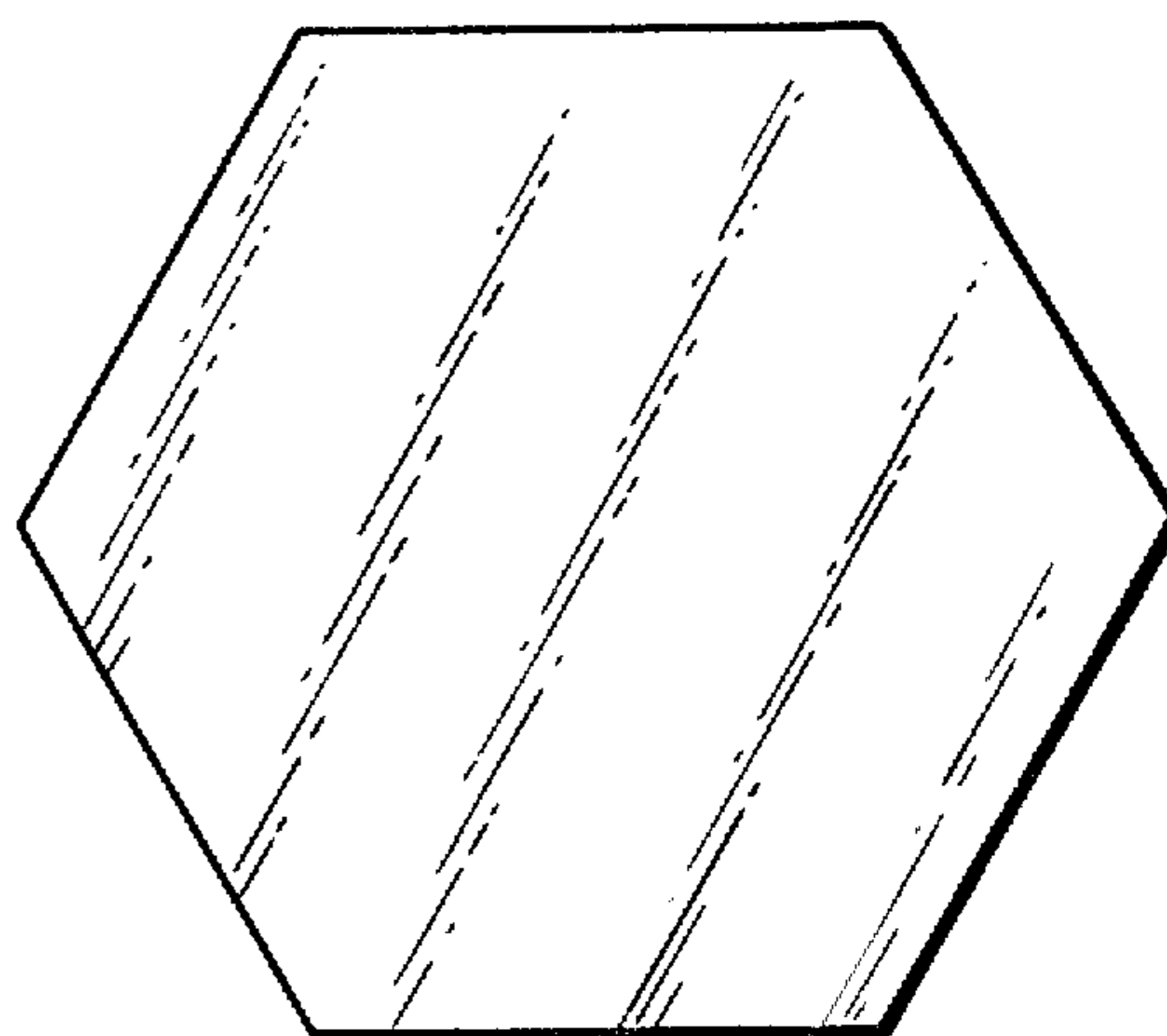


FIG. 3

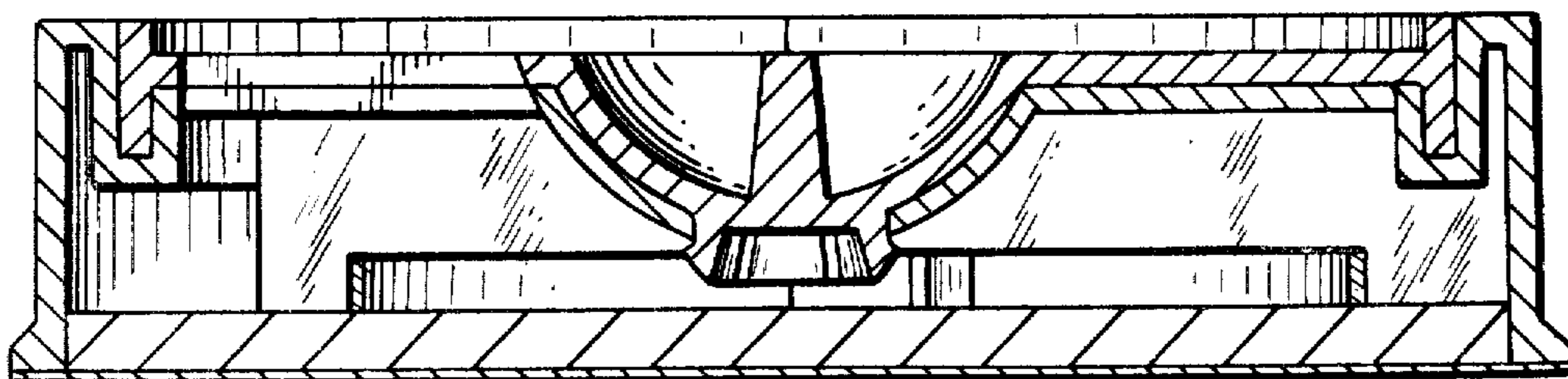


FIG. 6