

[54] ELECTRICALLY HEATED SHOWER HEAD

[75] Inventor: Helio Tommaso, Atibaia, Brazil

[73] Assignee: Produtos Eletricos Corona Ltda., Guarulhos, Brazil

[**] Term: 14 Years

[21] Appl. No.: 32,215

[22] Filed: Apr. 23, 1979

[30] Foreign Application Priority Data

Oct. 16, 1976 [BR] Brazil 3600876[U]

[51] Int. Cl. D23-01

[52] U.S. Cl. D23/35

[58] Field of Search D23/34-39; 239/135

[56] References Cited

U.S. PATENT DOCUMENTS

- D. 188,645 8/1960 Kohler D23/35
- D. 203,693 2/1966 Block D23/35
- D. 208,526 9/1967 Delamater D23/35

Primary Examiner—James R. Largent
Attorney, Agent, or Firm—Blanchard, Flynn, Thiel, Boutell & Tanis

[57] CLAIM

The ornamental design for an electrically heated shower head, as shown and described.

DESCRIPTION

FIG. 1 is a right side elevational view of an electrically heated shower head embodying my design, the left side being a mirror image of the right side shown; FIG. 2 is a front elevational view thereof; FIG. 3 is a top plan view thereof; FIG. 4 is a rear elevational view thereof; and FIG. 5 is a bottom plan view thereof.

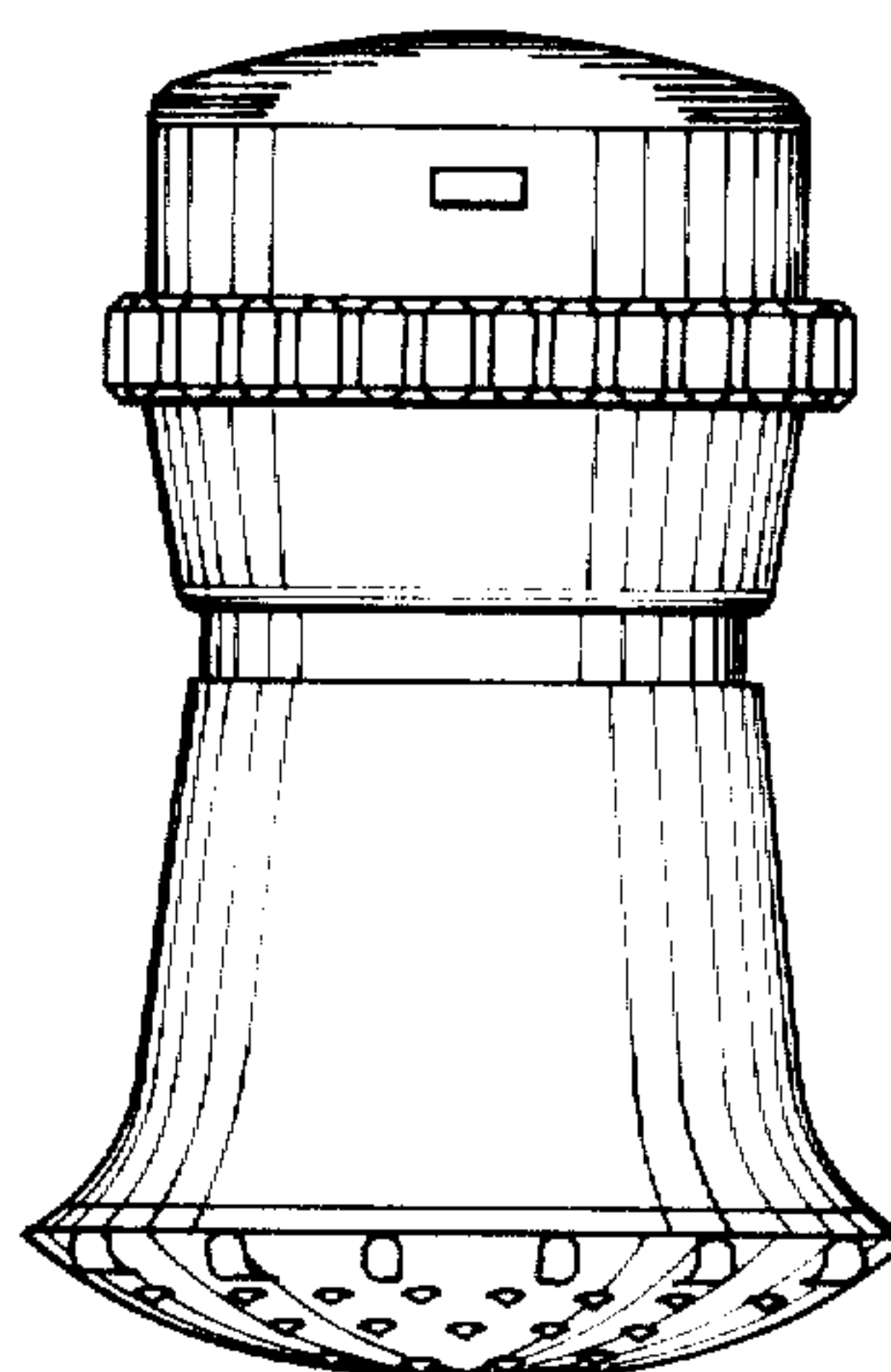
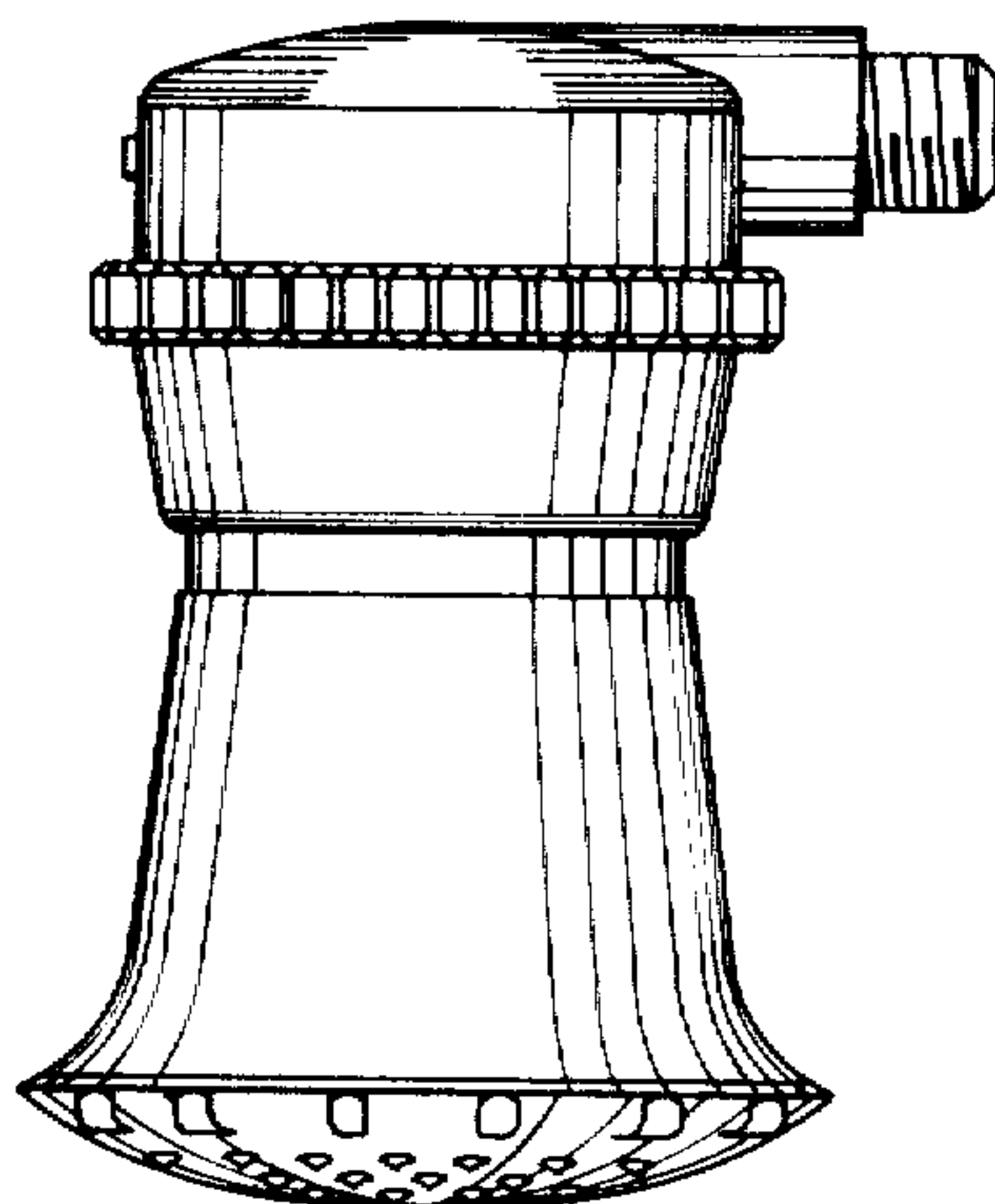


FIG. 1

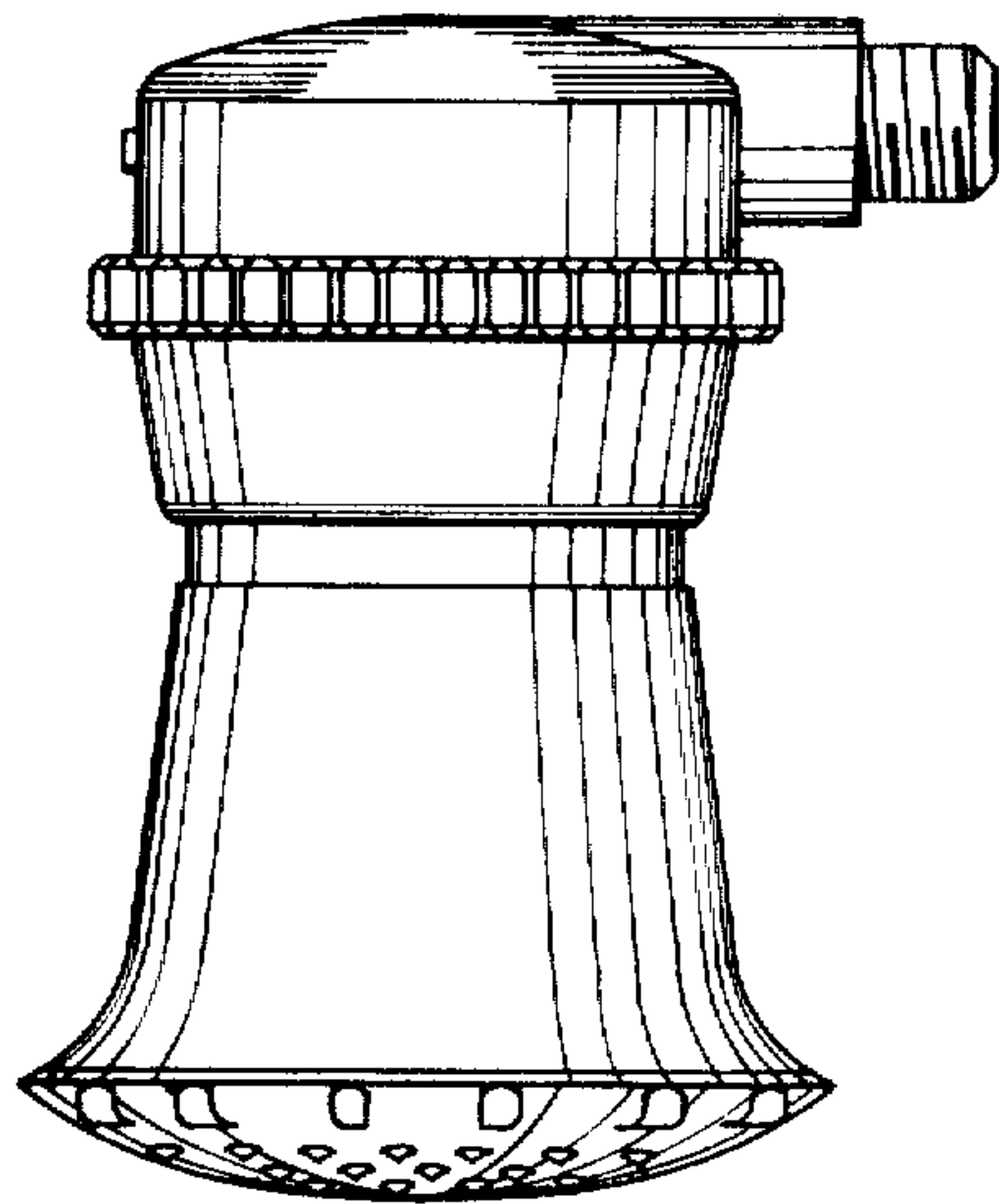


FIG. 2

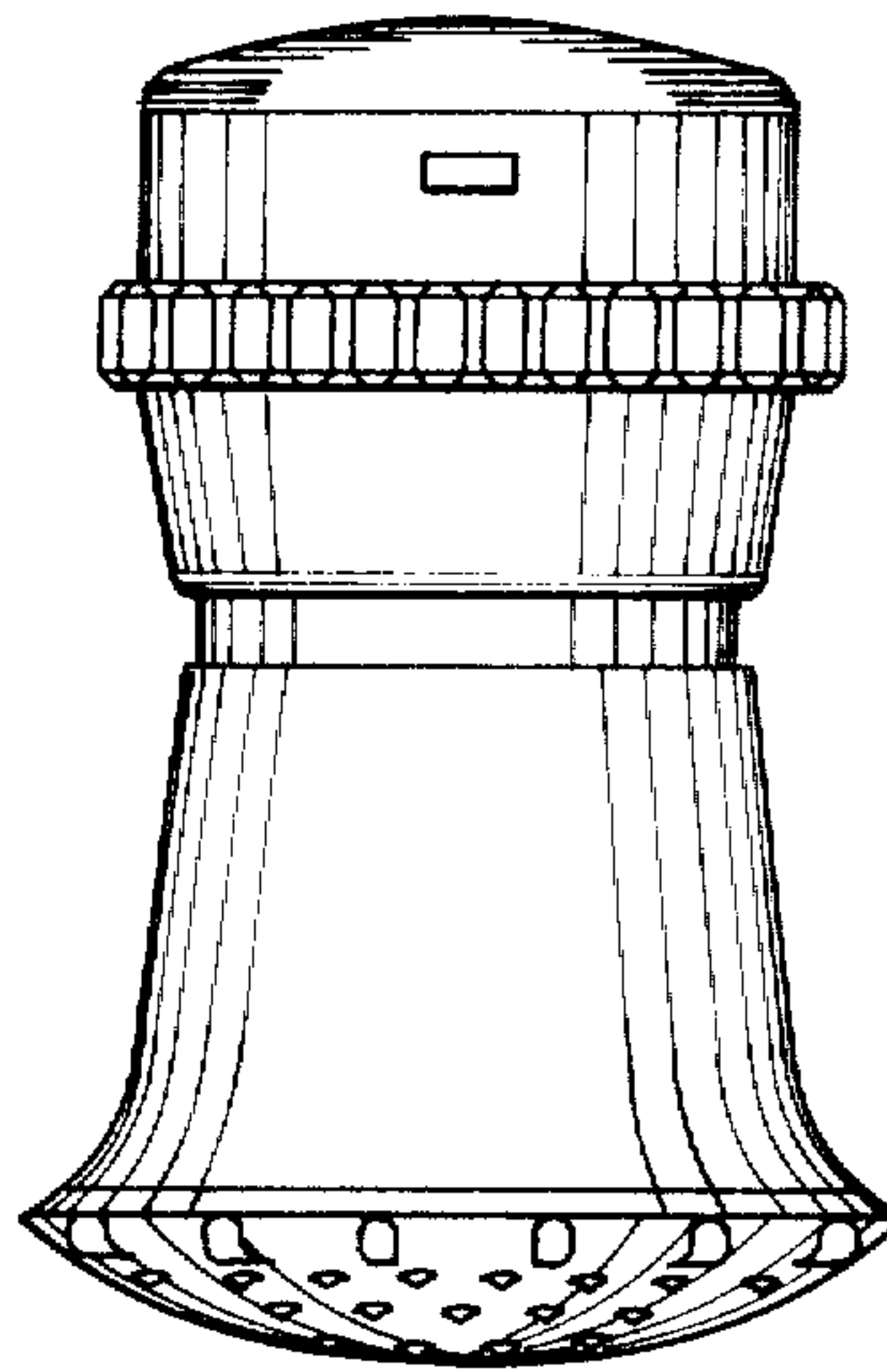


FIG. 3

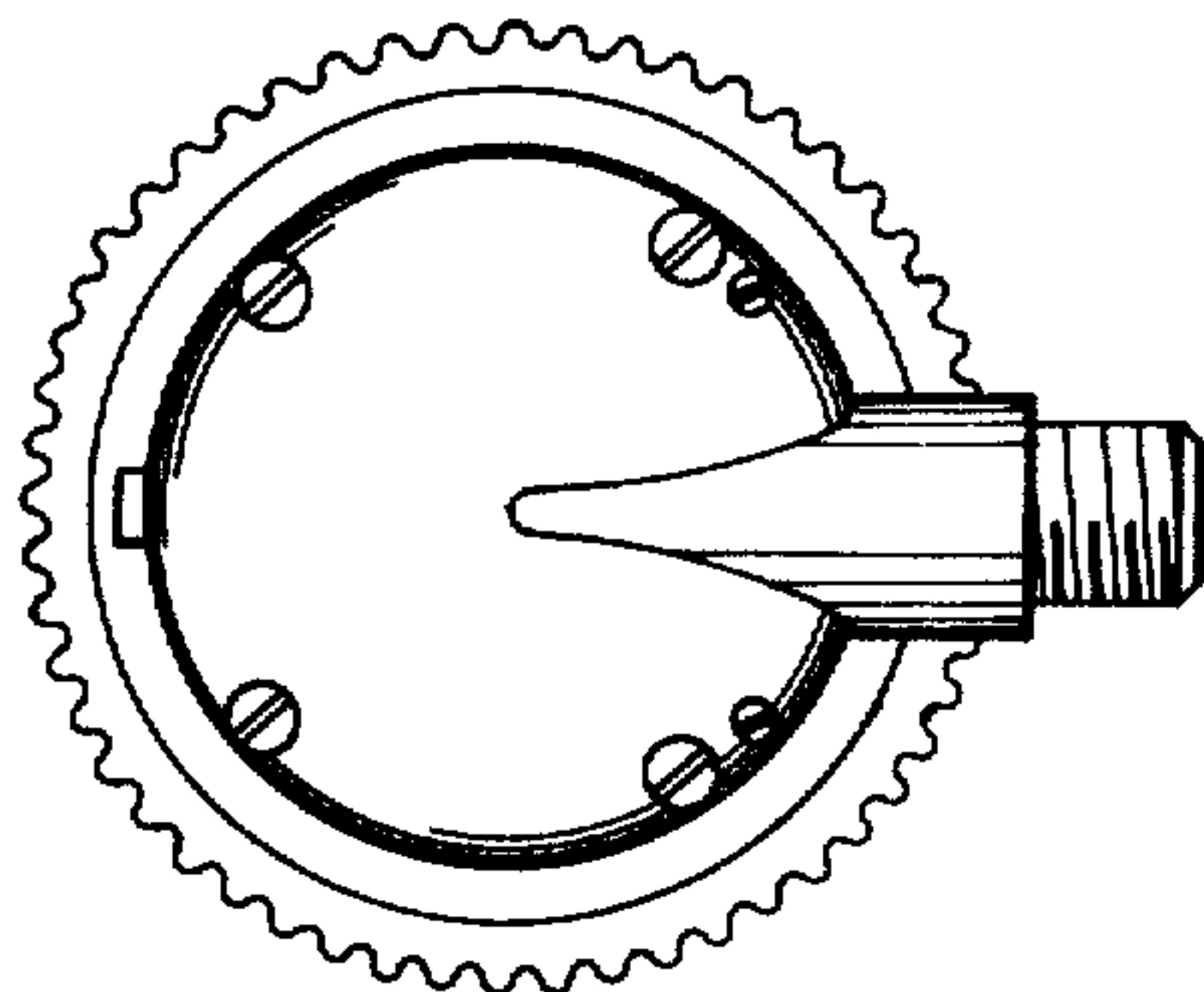


FIG. 4

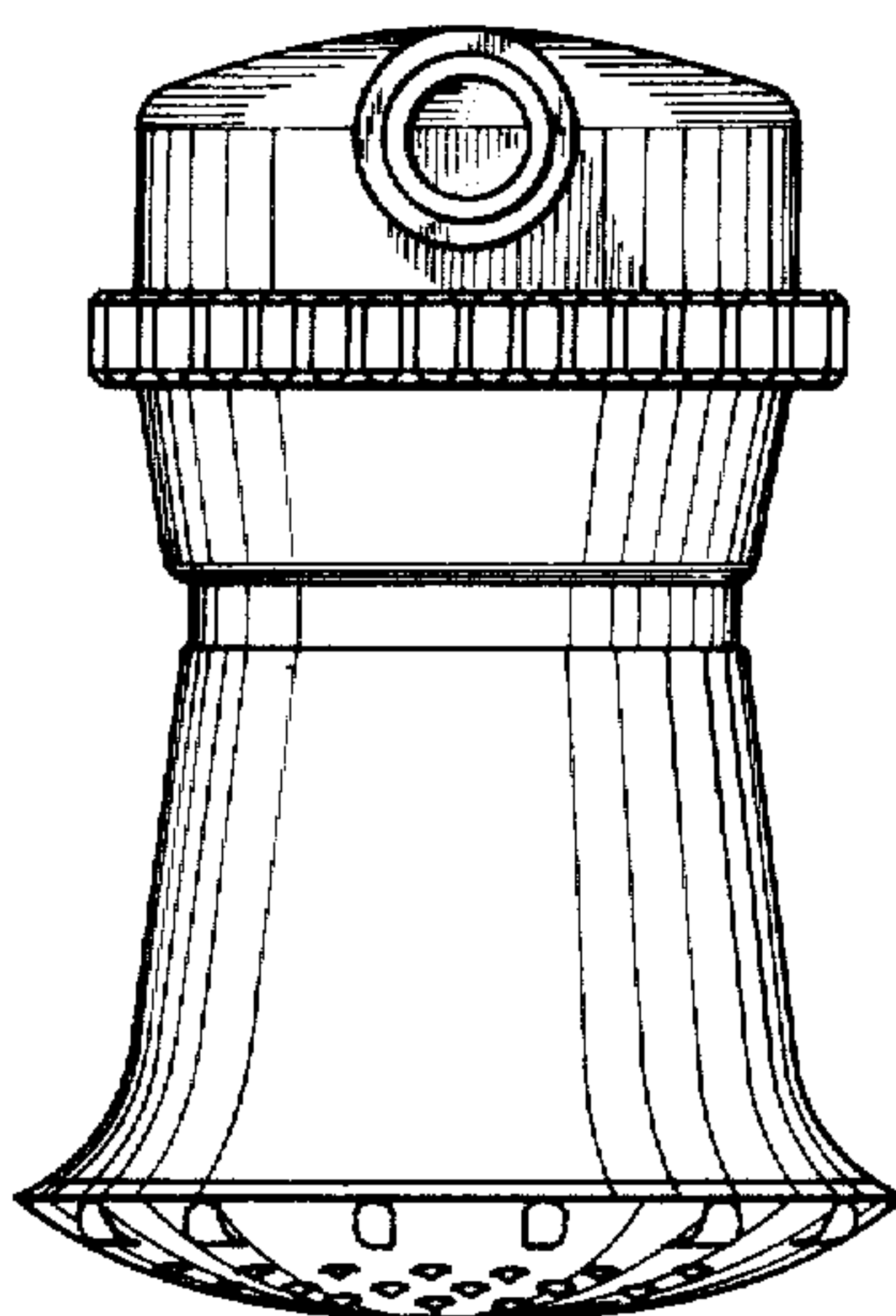


FIG. 5

