

[54] COMBINED SELF-CONTAINED WATER RESERVOIR AND GOLF CLUB SCRUB BRUSH OR SIMILAR ARTICLE

3,583,016 6/1971 McConnell 15/21 A
3,678,526 7/1972 Burkholder 15/21 A

[76] Inventors: Carl C. Markwood; Marie K. Markwood, both of 4001 Fair Oaks Blvd., Sacramento, Calif. 95825

Primary Examiner—Melvin B. Feifer
Attorney, Agent, or Firm—Lothrop & West

[**] Term: 14 Years

[57] CLAIM

The ornamental design for a combined self-contained water reservoir and golf club scrub brush or similar article, as shown and described.

[21] Appl. No.: 61,258

DESCRIPTION

[22] Filed: Jul. 27, 1979

FIG. 1 is an elevational view of one side of a combined self-contained water reservoir and golf club scrub brush or similar article, showing our new design, the opposite side being a mirror image thereof; FIG. 2 is a front elevational view; FIG. 3 is a rear elevational view; FIG. 4 is a top plan view; FIG. 5 is a bottom plan view; and FIG. 6 is a perspective view of the upper brush portion separated from the lower reservoir portion for convenience of illustration.

[51] Int. Cl. D21-02

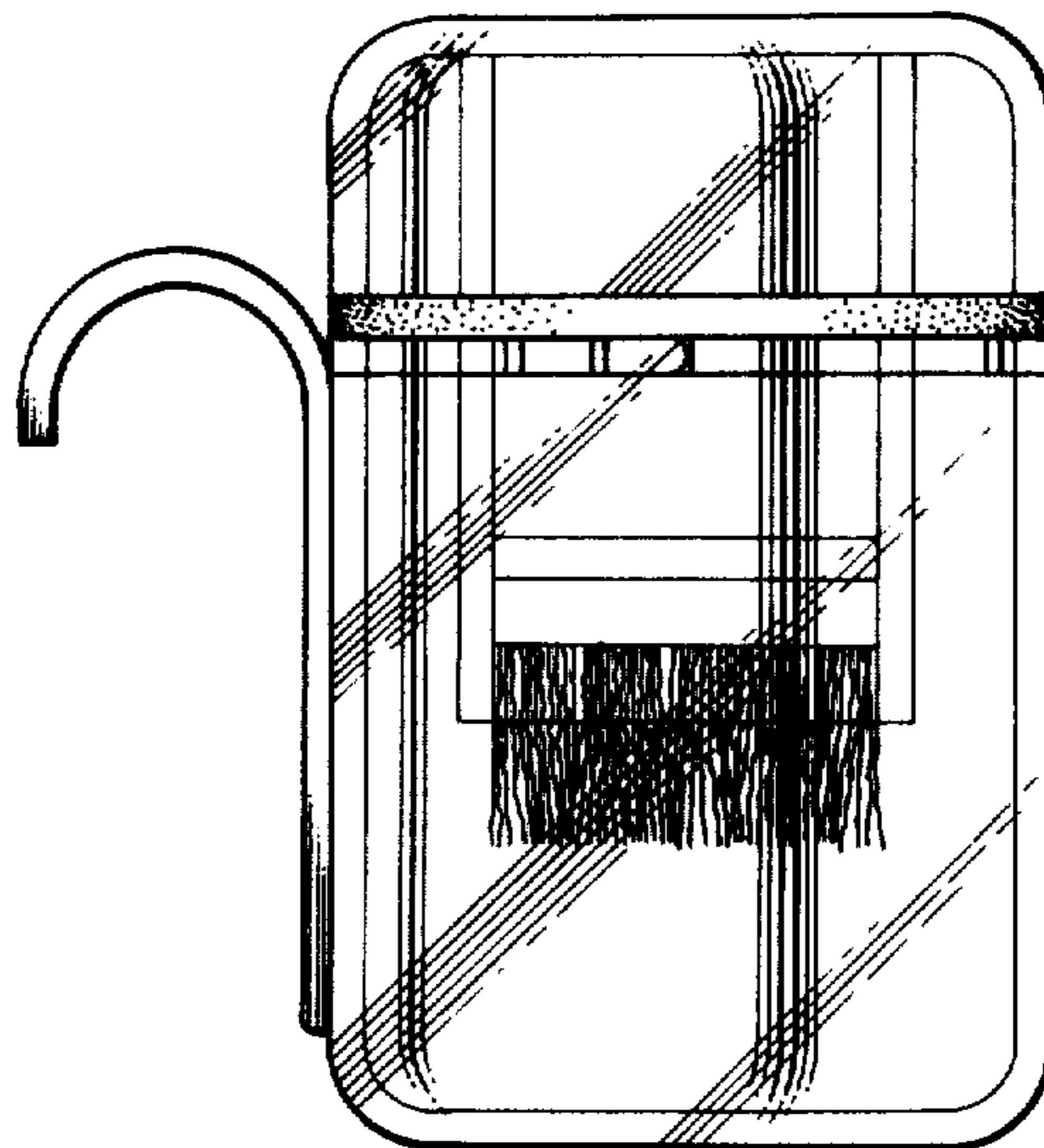
[52] U.S. Cl. D21/234; D4/17; D4/19

[58] Field of Search D21/234; D4/17, 19; 15/21 A

[56] References Cited

U.S. PATENT DOCUMENTS

D. 233,361 10/1974 Norden et al. D21/234



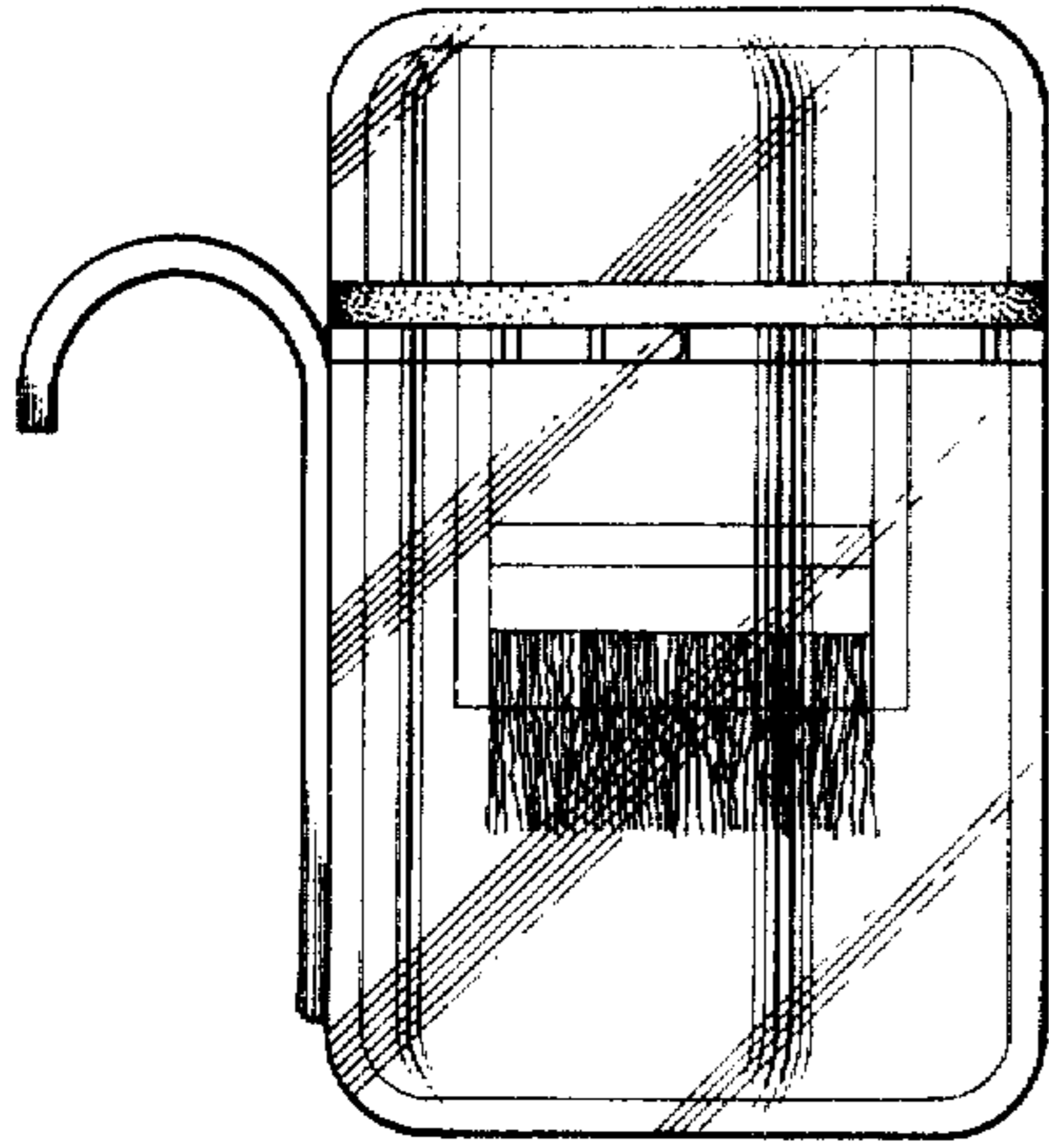


FIG-1

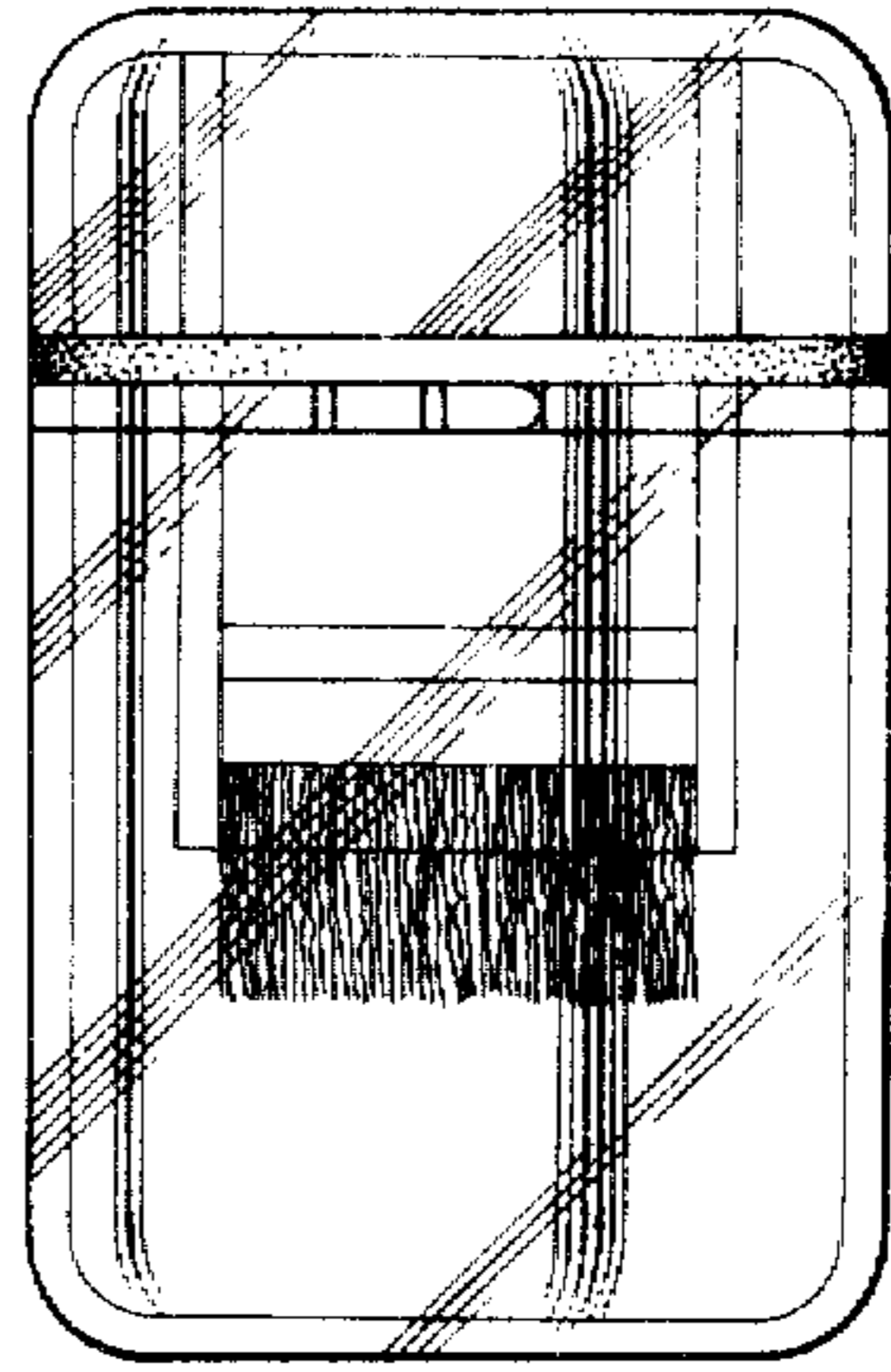


FIG-2

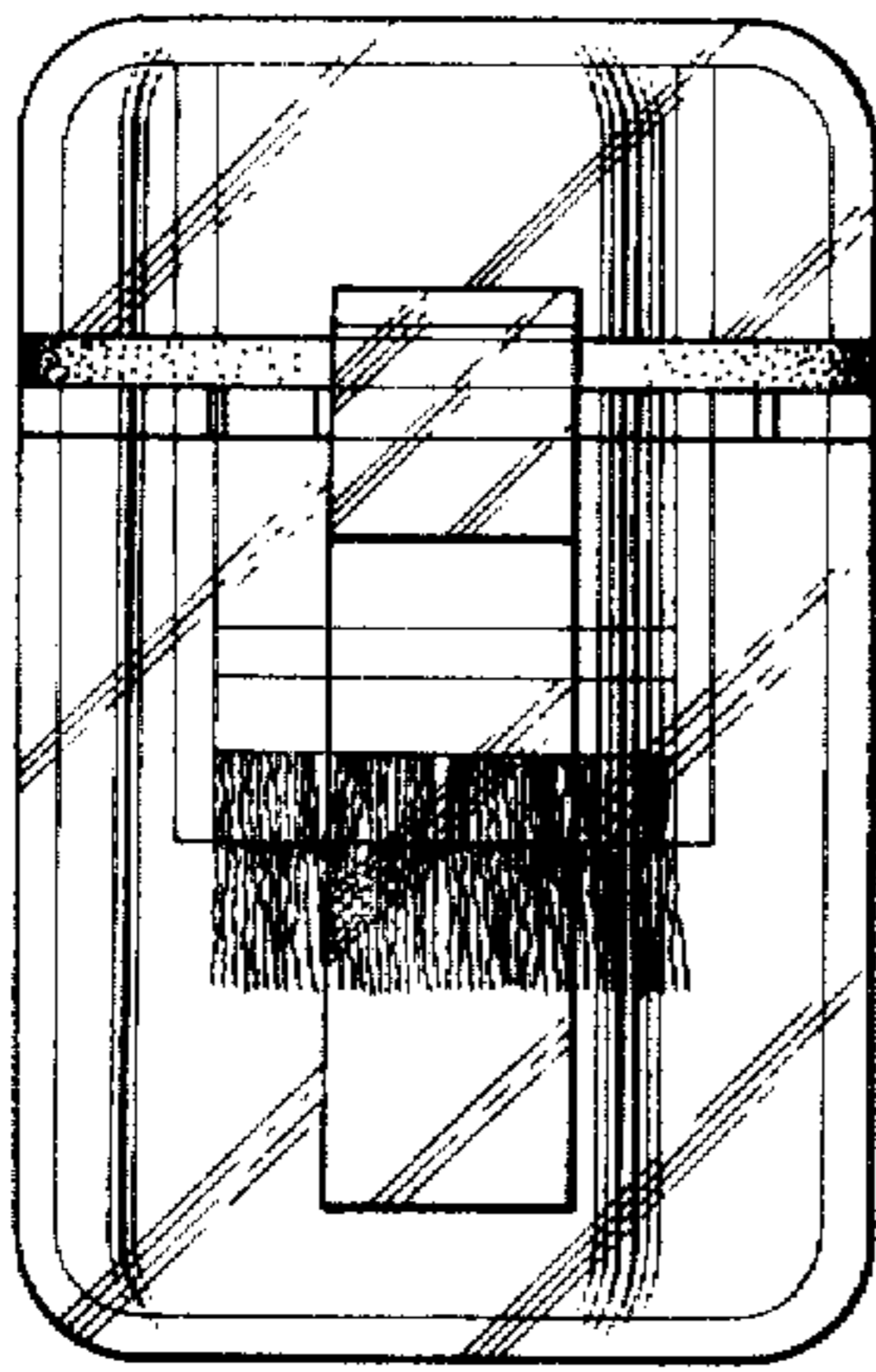


FIG-3

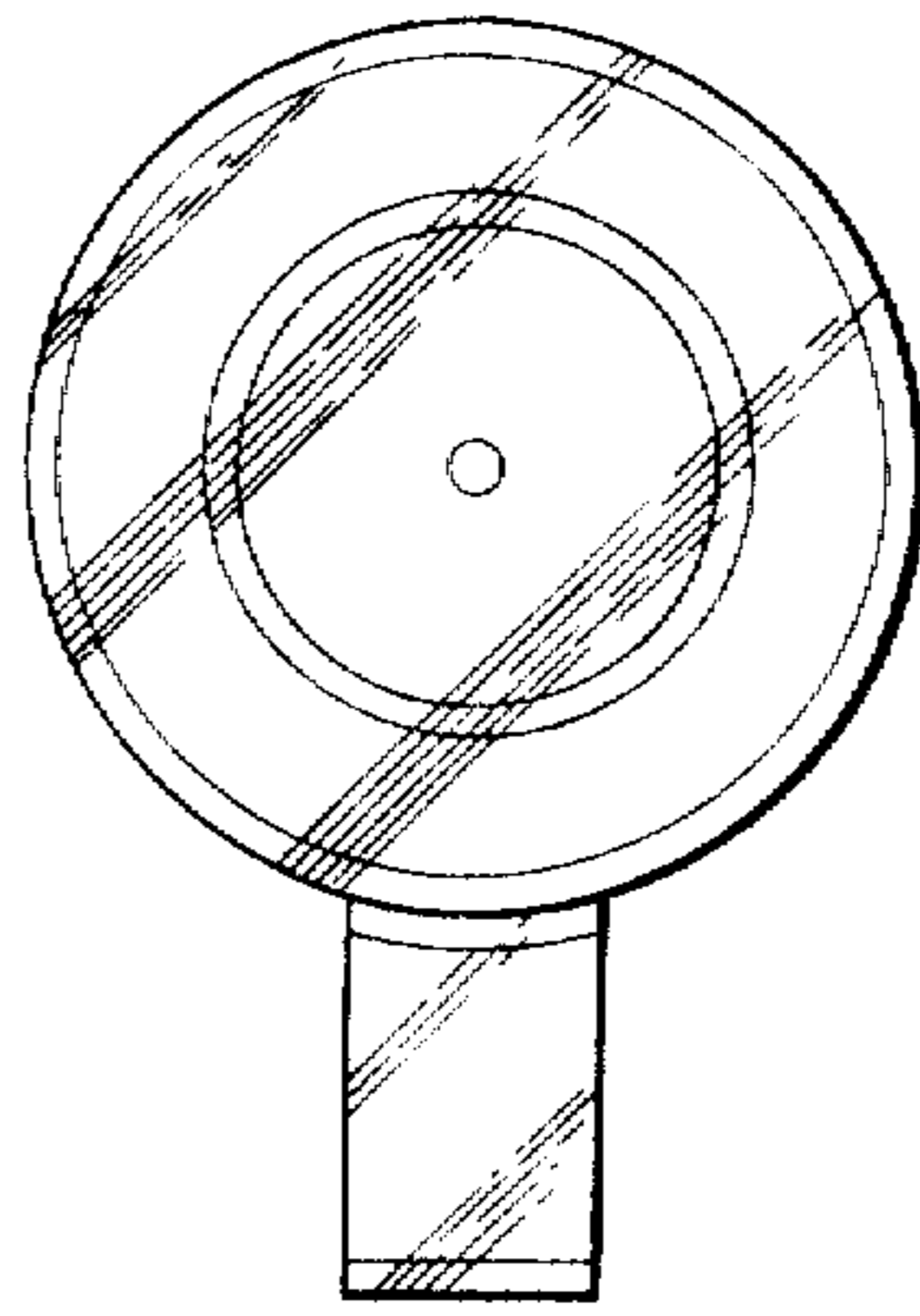


FIG-4

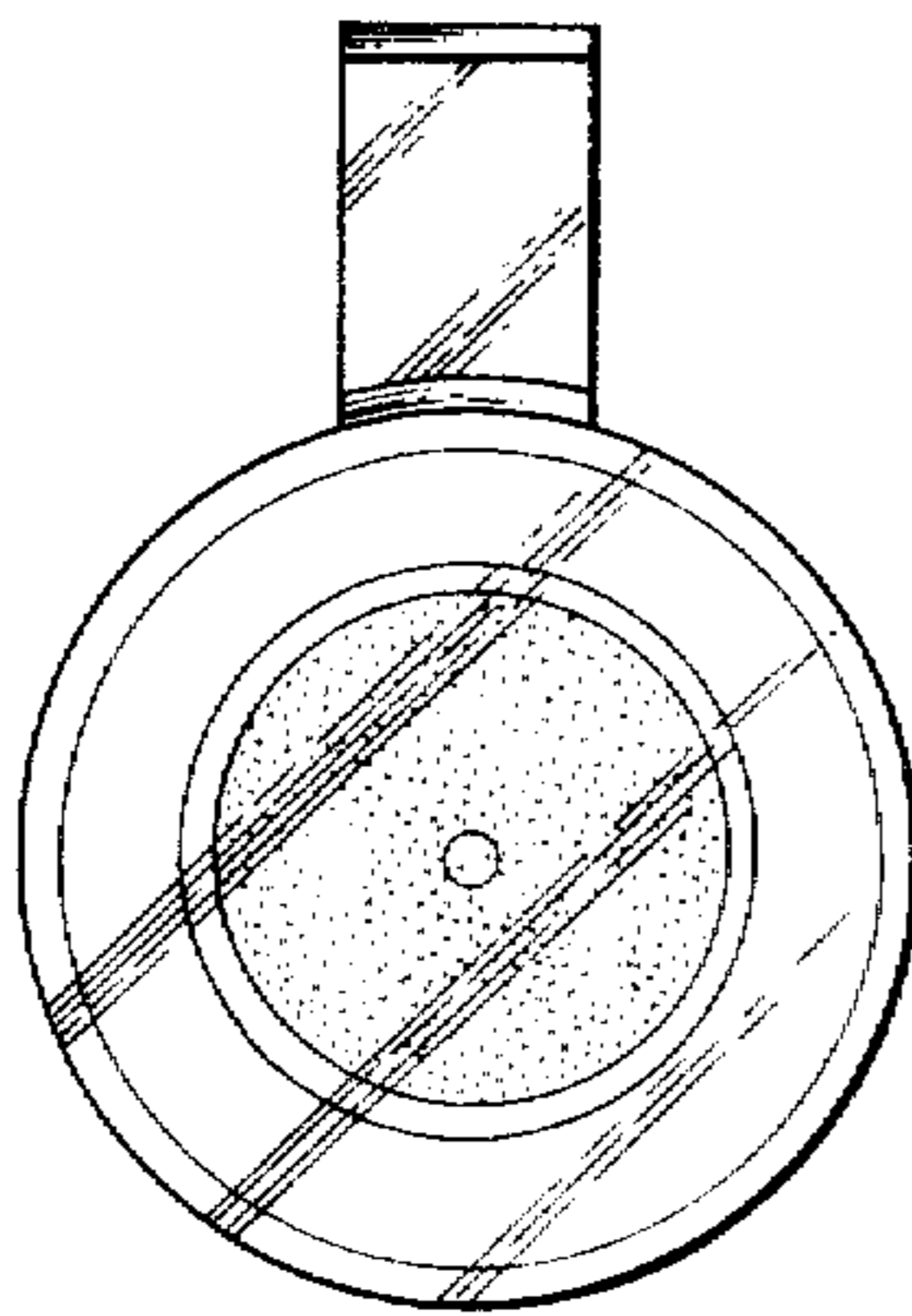


FIG-5

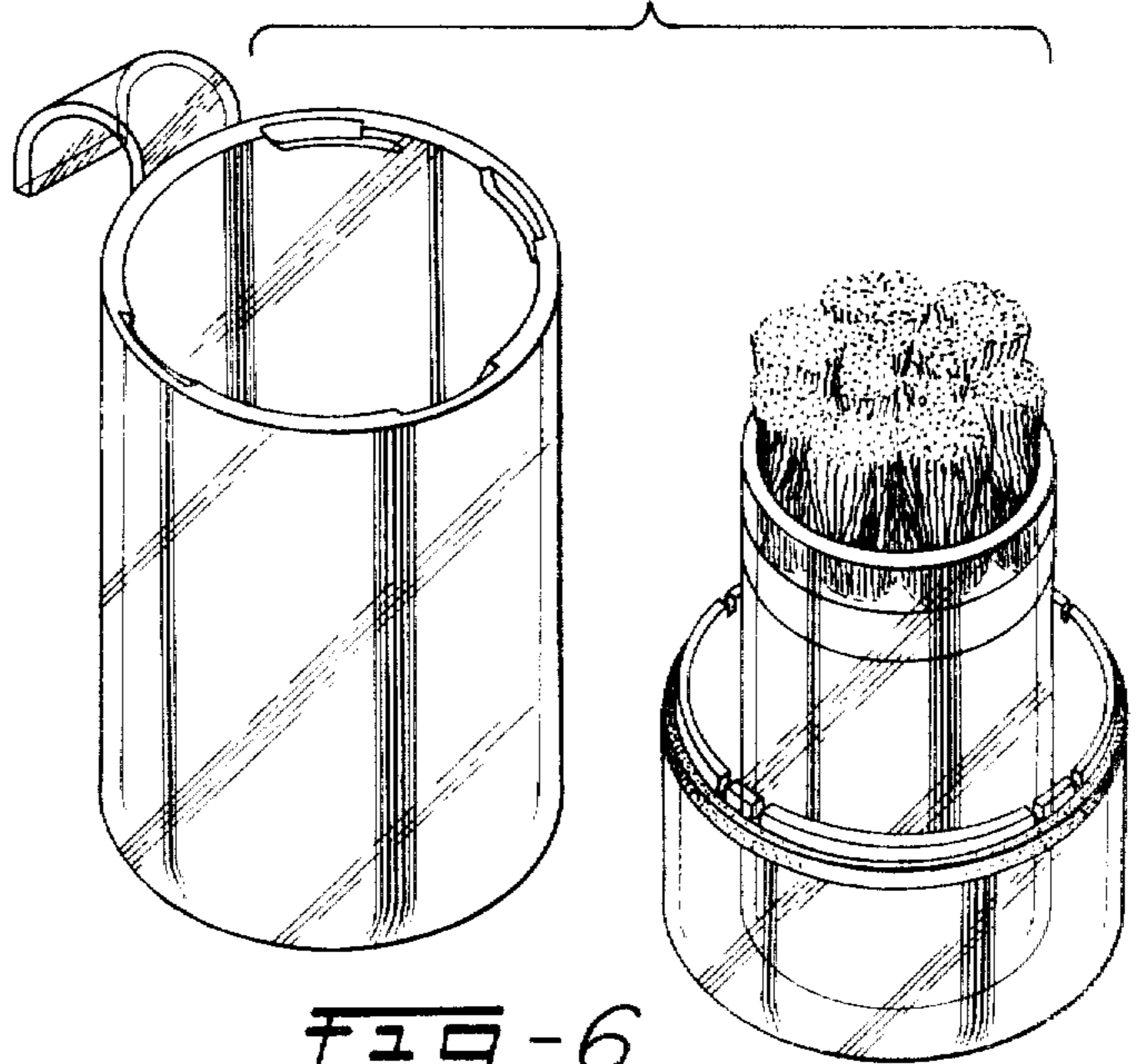


FIG-6