

[54] DICE GAME BOARD

[76] Inventor: Frank Lonardo, 2343 Bath Ave., Brooklyn, N.Y. 11214

[**] Term: 14 Years

[21] Appl. No.: 40,718

[22] Filed: May 21, 1979

[51] Int. Cl. D21-01

[52] U.S. Cl. D21/41; D21/25

[58] Field of Search D21/25, 37, 41, 31; 273/108, 146, 285

[56] References Cited

U.S. PATENT DOCUMENTS

- D. 81,693 7/1930 Hayashi et al. D21/41
- 1,723,377 8/1929 Salomon 273/285

3,176,990 4/1965 Aliff 273/146

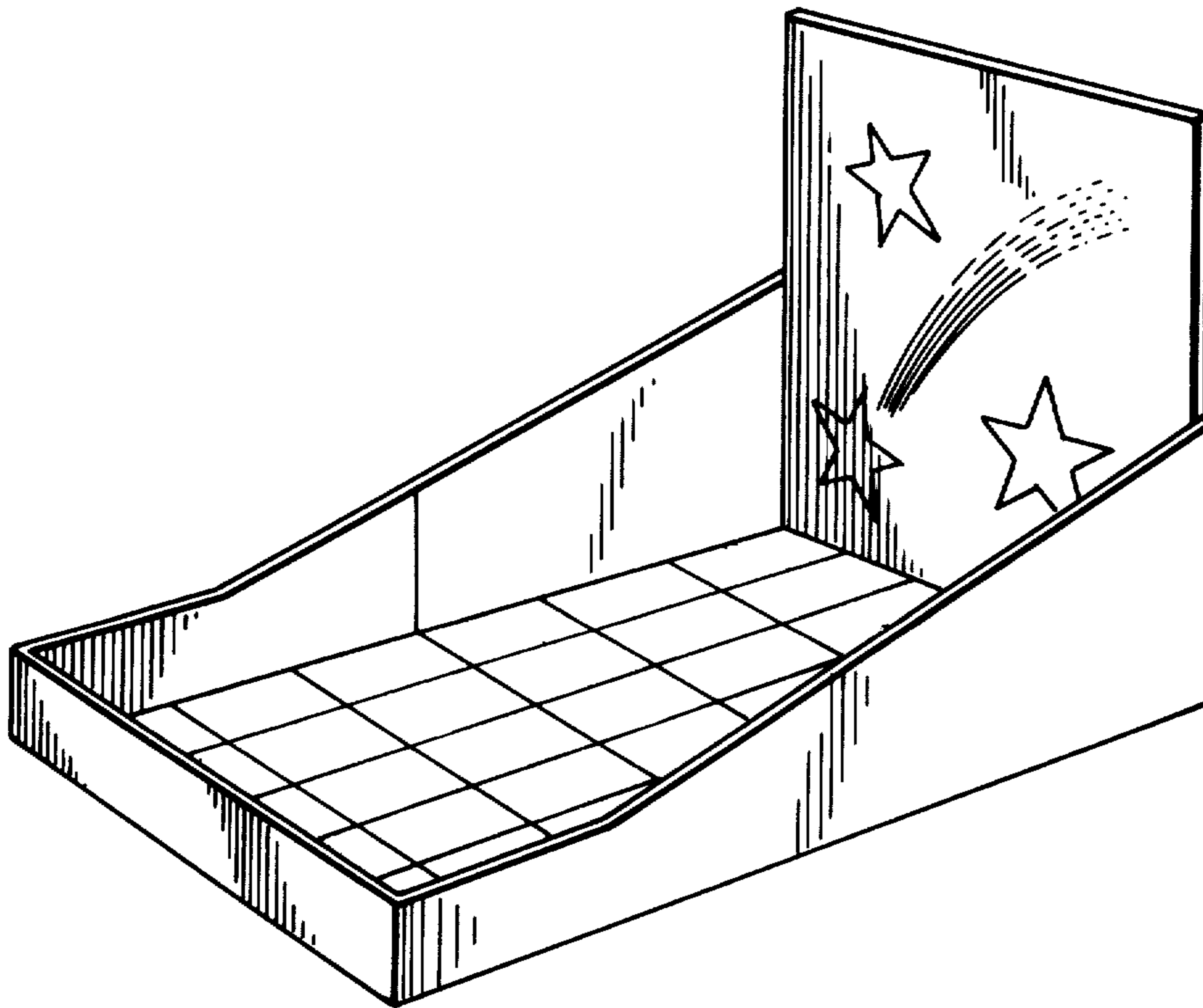
Primary Examiner—Melvin B. Feifer
Attorney, Agent, or Firm—Richard L. Miller

[57] CLAIM

The ornamental design for a dice game board, as shown and described.

DESCRIPTION

FIG. 1 is a perspective view of a dice game board showing my new design;
 FIG. 2 is a plan view of a dice game board showing my new design;
 FIG. 3 is a front view of a dice game board showing my new design;
 FIG. 4 is a side view of a dice game board showing my new design, the opposite side being a mirror image;
 FIG. 5 is a rear view of a dice game board showing my new design.



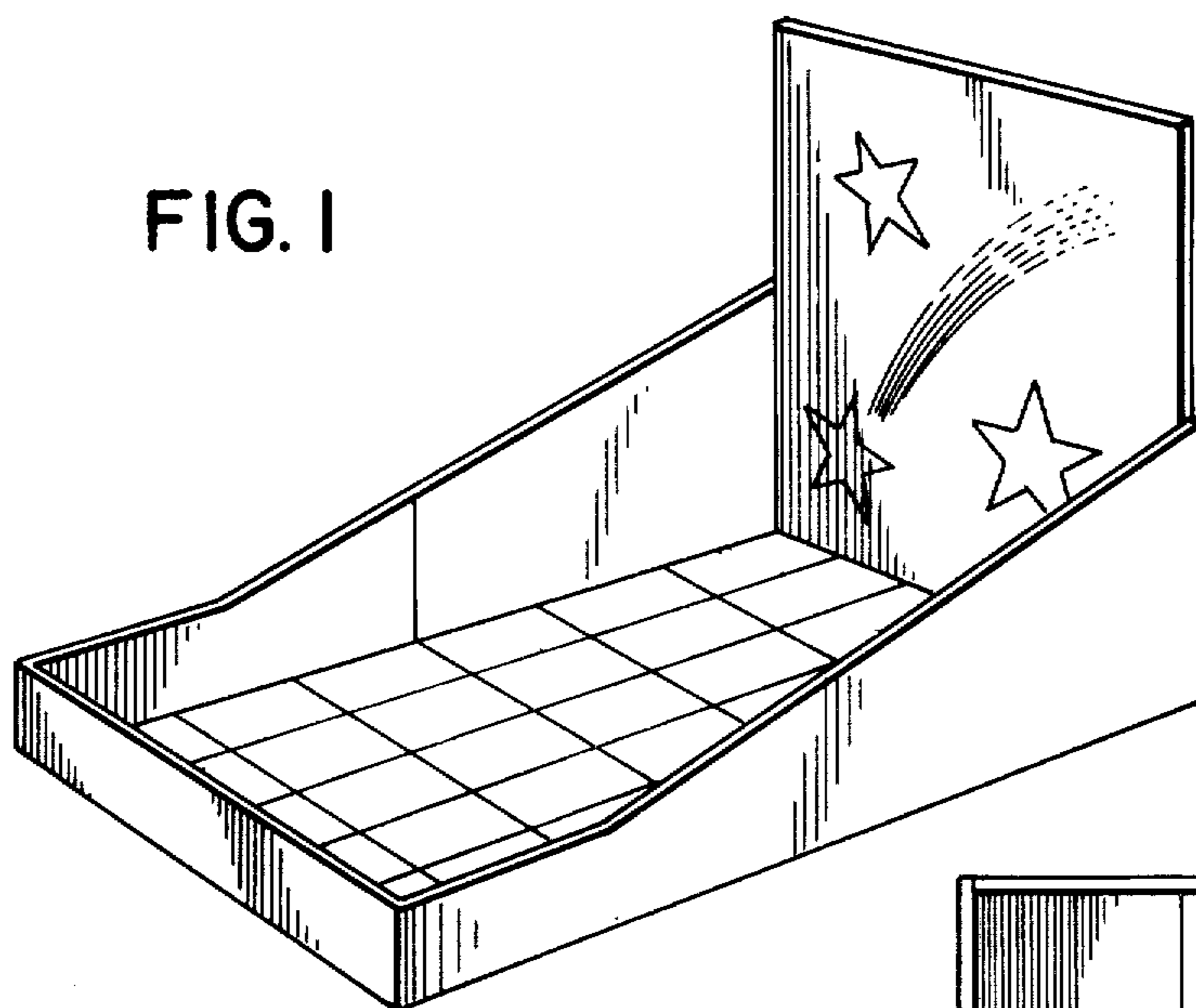


FIG. 2

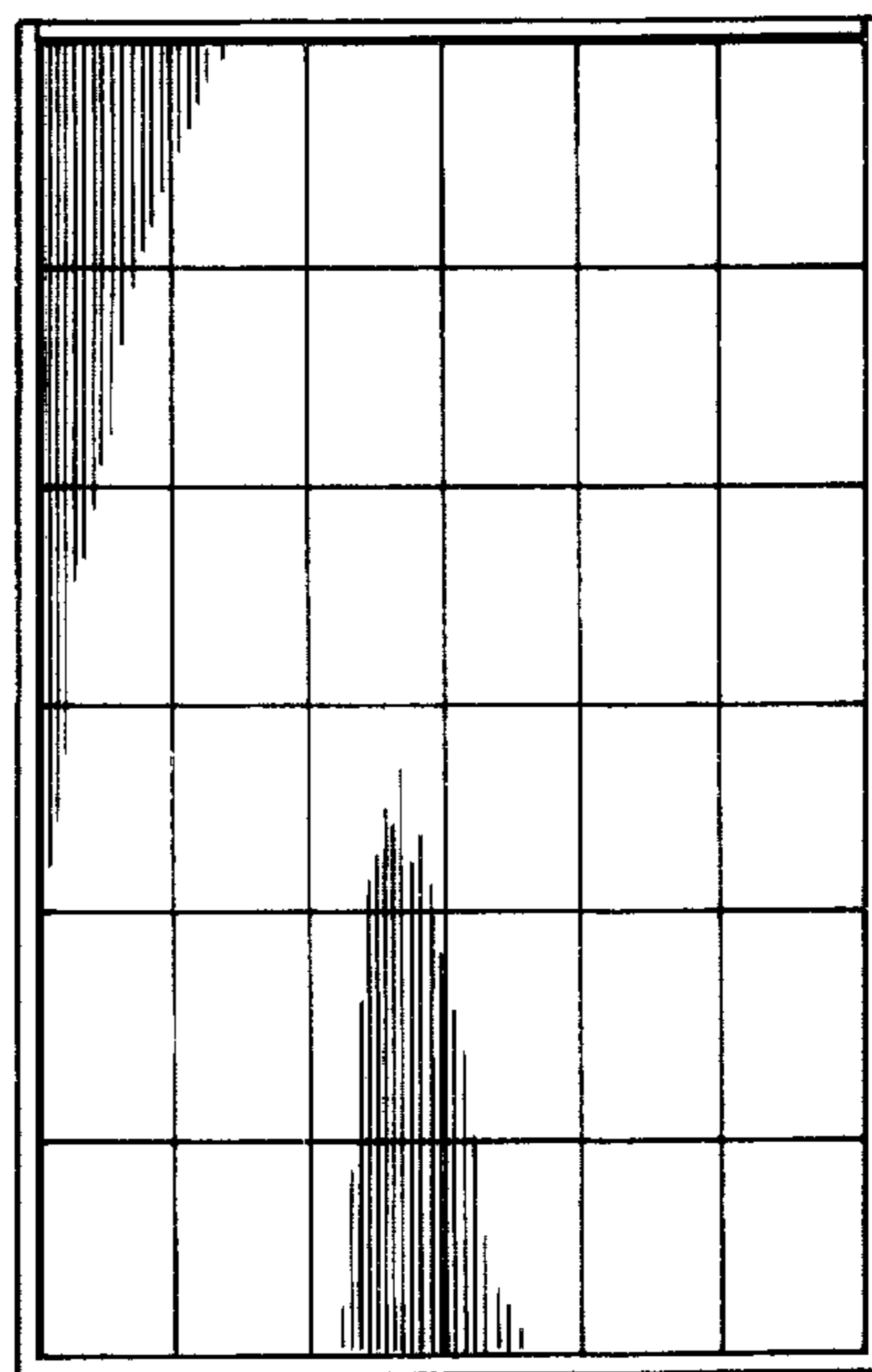


FIG. 3

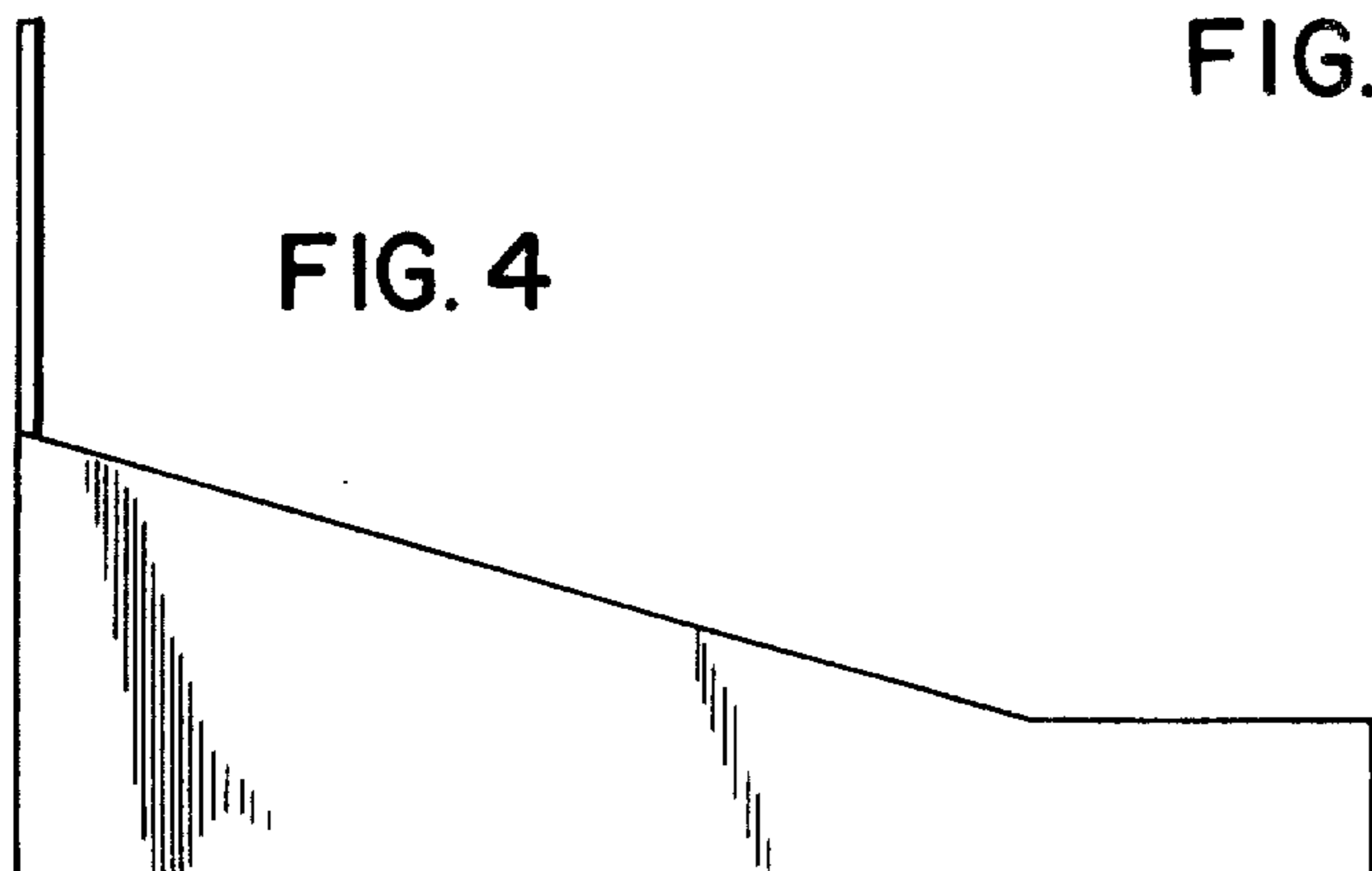
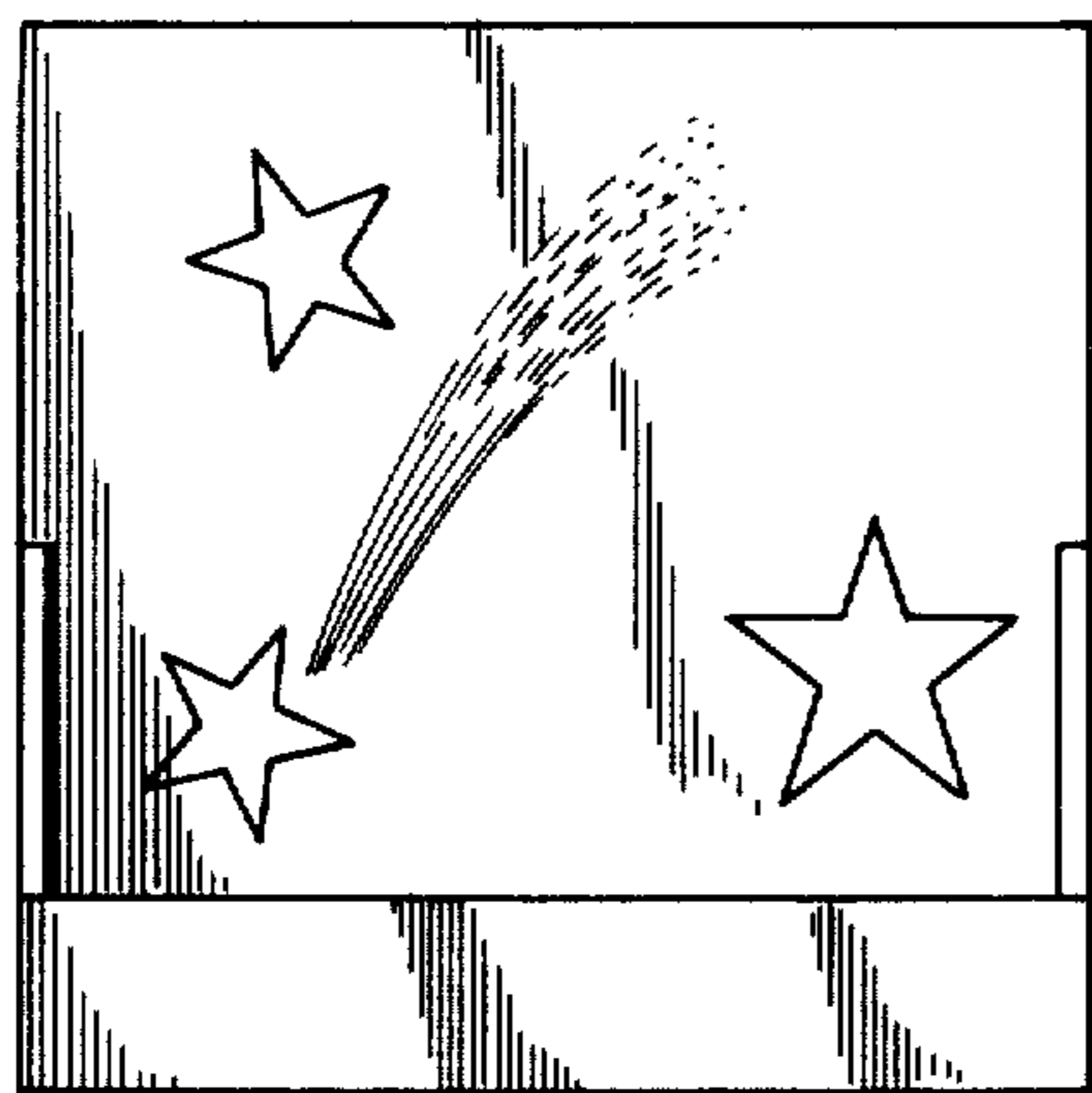


FIG. 5

