

[54] **DESK ACCESSORY RECEPTACLE**

[75] Inventor: **Robert A. Martin**, Thousand Oaks, Calif.

[73] Assignee: **Metcor Manufacturing**, Los Angeles, Calif.

[**] Term: **14 Years**

[21] Appl. No.: **945,577**

[22] Filed: **Sep. 25, 1978**

[51] Int. Cl. **D19-02**

[52] U.S. Cl. **D19/92**

[58] Field of Search **D19/20-25,**
D19/75, 76, 78, 84-86, 92; D7/37; 211/11, 126;
220/22.3, 22.4

[56] **References Cited**

U.S. PATENT DOCUMENTS

D. 234,507 3/1975 Mori D19/75

OTHER PUBLICATIONS

Peter Pepper Products, 1973, p. 18, Item #6120.

Primary Examiner—George P. Word
Attorney, Agent, or Firm—T. L. Stam

[57] **CLAIM**

The ornamental design for a desk accessory receptacle, as shown.

DESCRIPTION

FIG. 1 is a perspective view of a desk accessory receptacle showing my new design;

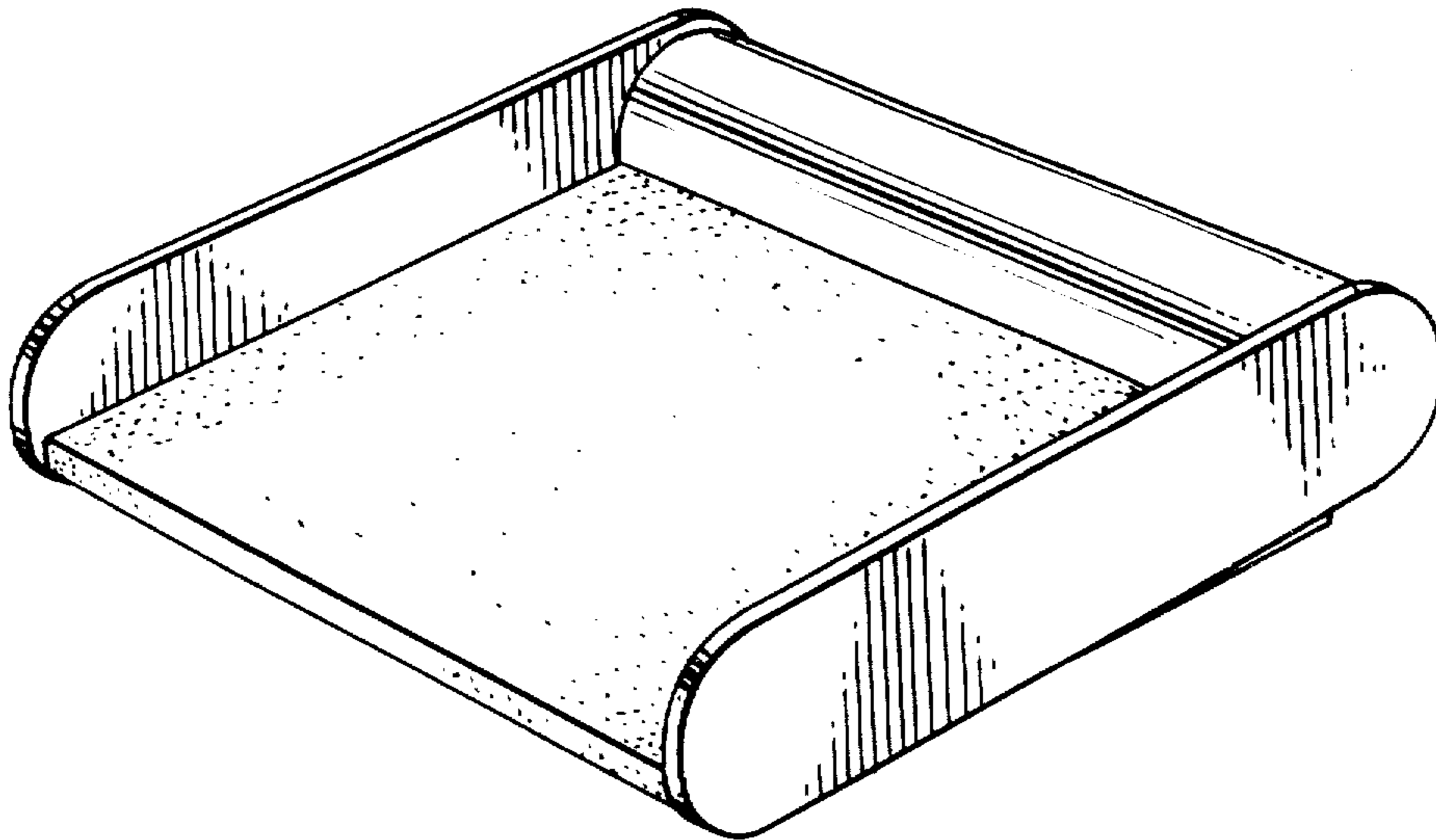
FIG. 2 is a top plan view thereof;

FIG. 3 is a left side elevational view thereof;

FIG. 4 is a bottom plan view thereof;

FIG. 5 is a rear elevational view thereof; and

FIG. 6 is a front elevational view thereof.



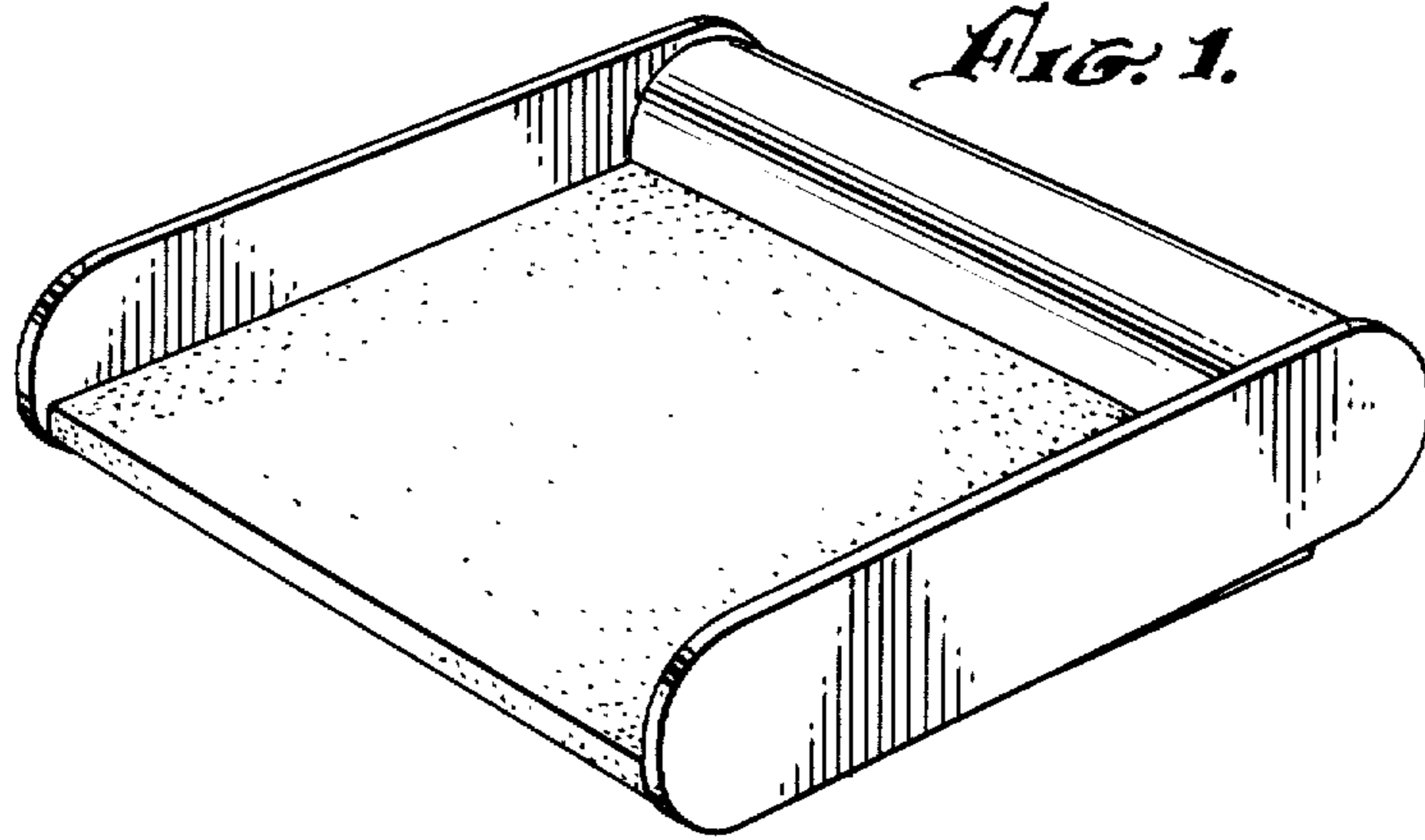


Fig. 2.

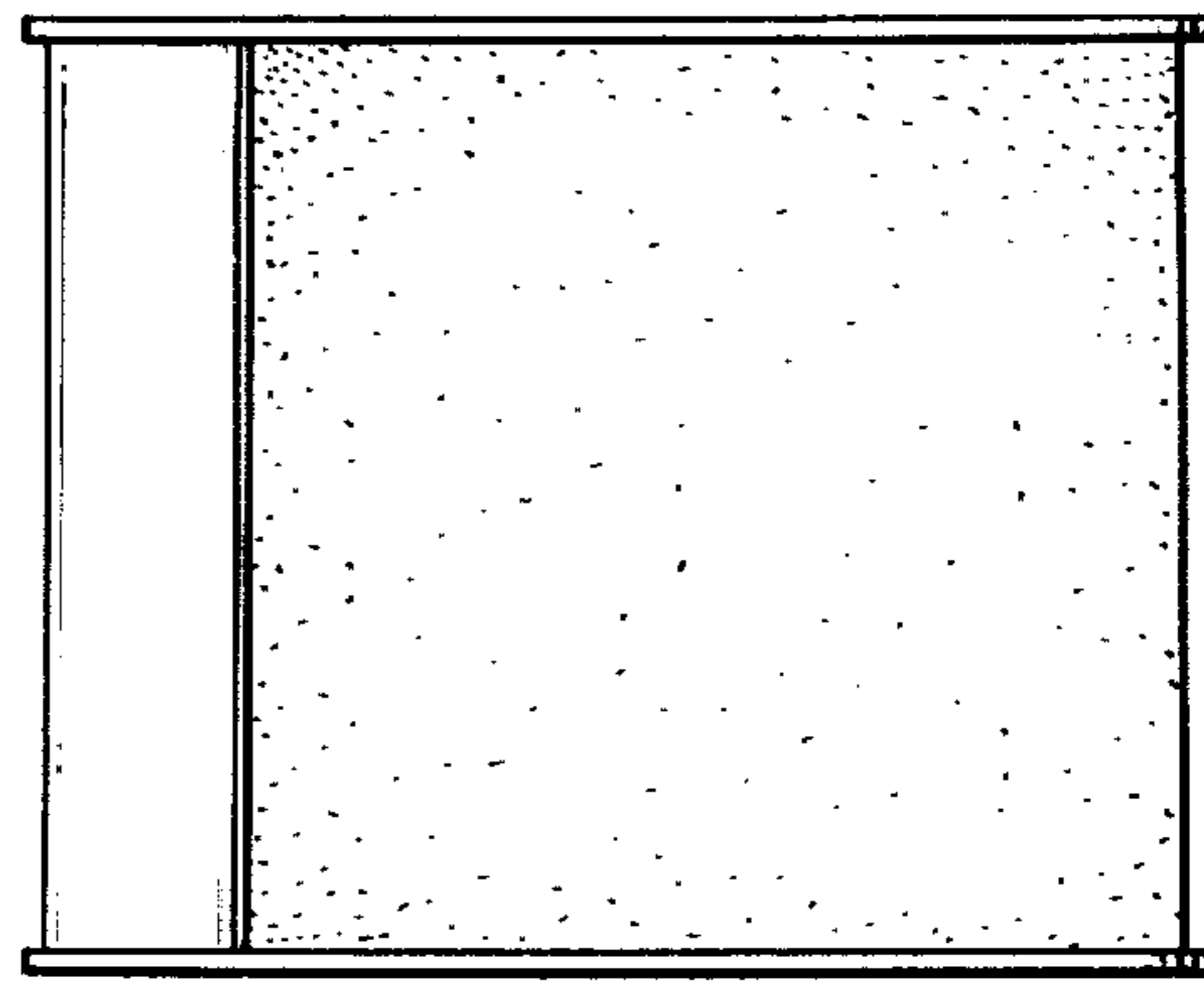


Fig. 5.

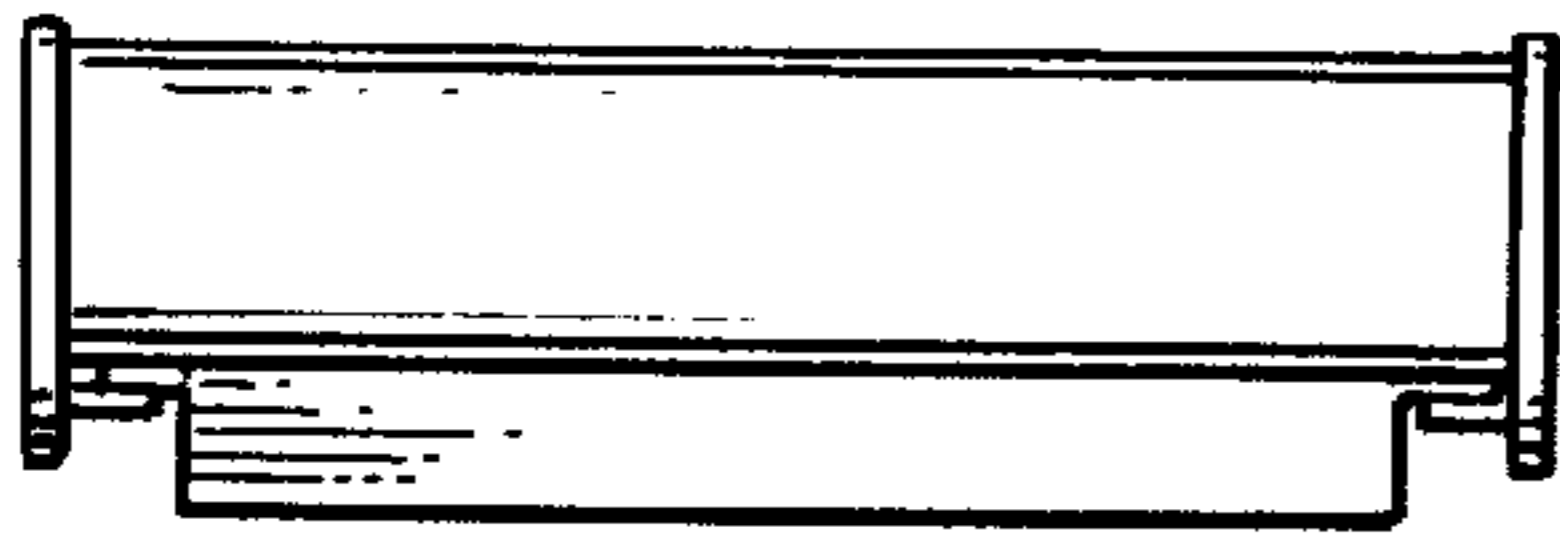


Fig. 3.



Fig. 6.

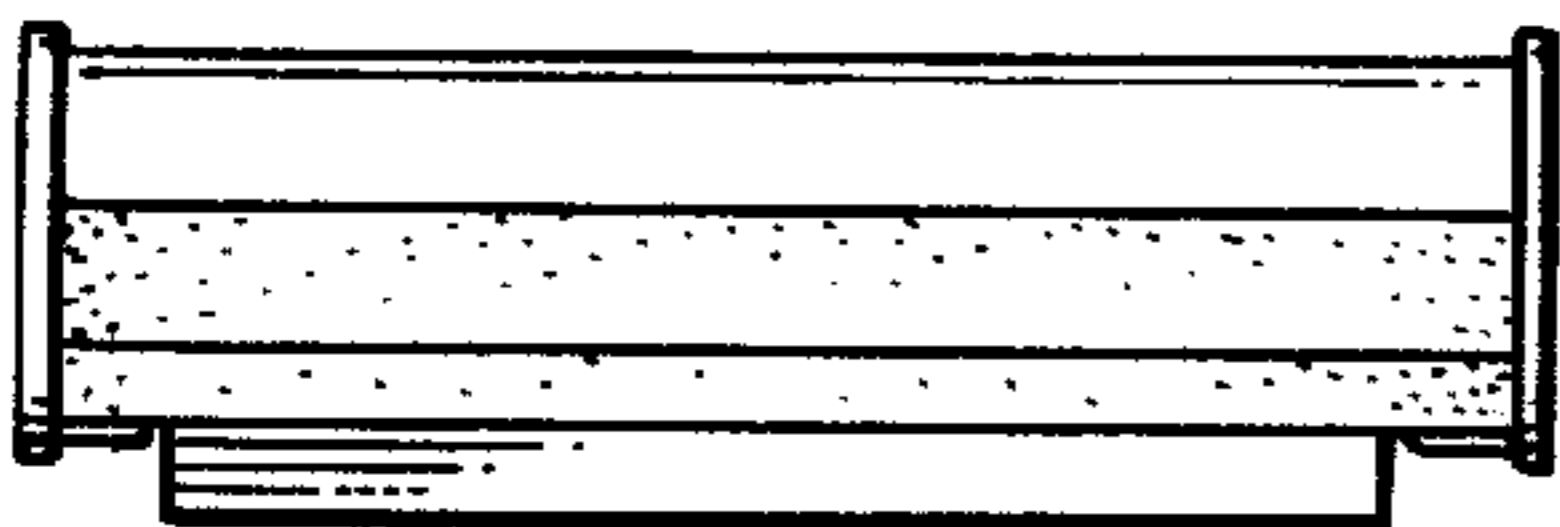


Fig. 4.

