

[54] **MATHEMATICAL AID**

[76] **Inventor:** **Burton S. Heiko**, 15 Steuben Dr.,
Jericho, N.Y. 11753

[**] **Term:** **3½ Years**

[21] **Appl. No.:** **54,303**

[22] **Filed:** **Jul. 2, 1979**

[51] **Int. Cl.** **D19—07**
[52] **U.S. Cl.** **D19/64; D19/62**
[58] **Field of Search** **D19/59, 60, 62, 64;**
D10/46.1; 434/174, 198, 404

[56]

References Cited

U.S. PATENT DOCUMENTS

D. 150,506 8/1948 Blanc D19/64
667,397 2/1901 Jones 434/198
2,471,271 5/1949 Green 434/198

Primary Examiner—Lester L. Lee
Attorney, Agent, or Firm—Burton S. Heiko

[57]

CLAIM

The ornamental design for an educational aid called mathematical aid, as shown.

DESCRIPTION

FIG. 1 is an isometric view of the mathematical aid showing my new design;
FIG. 2 is an enlarged front elevational view thereof;
FIG. 3 is an enlarged side elevational view thereof;
FIG. 4 is an enlarged top plan view thereof;
FIG. 5 is an enlarged bottom plan view thereof.

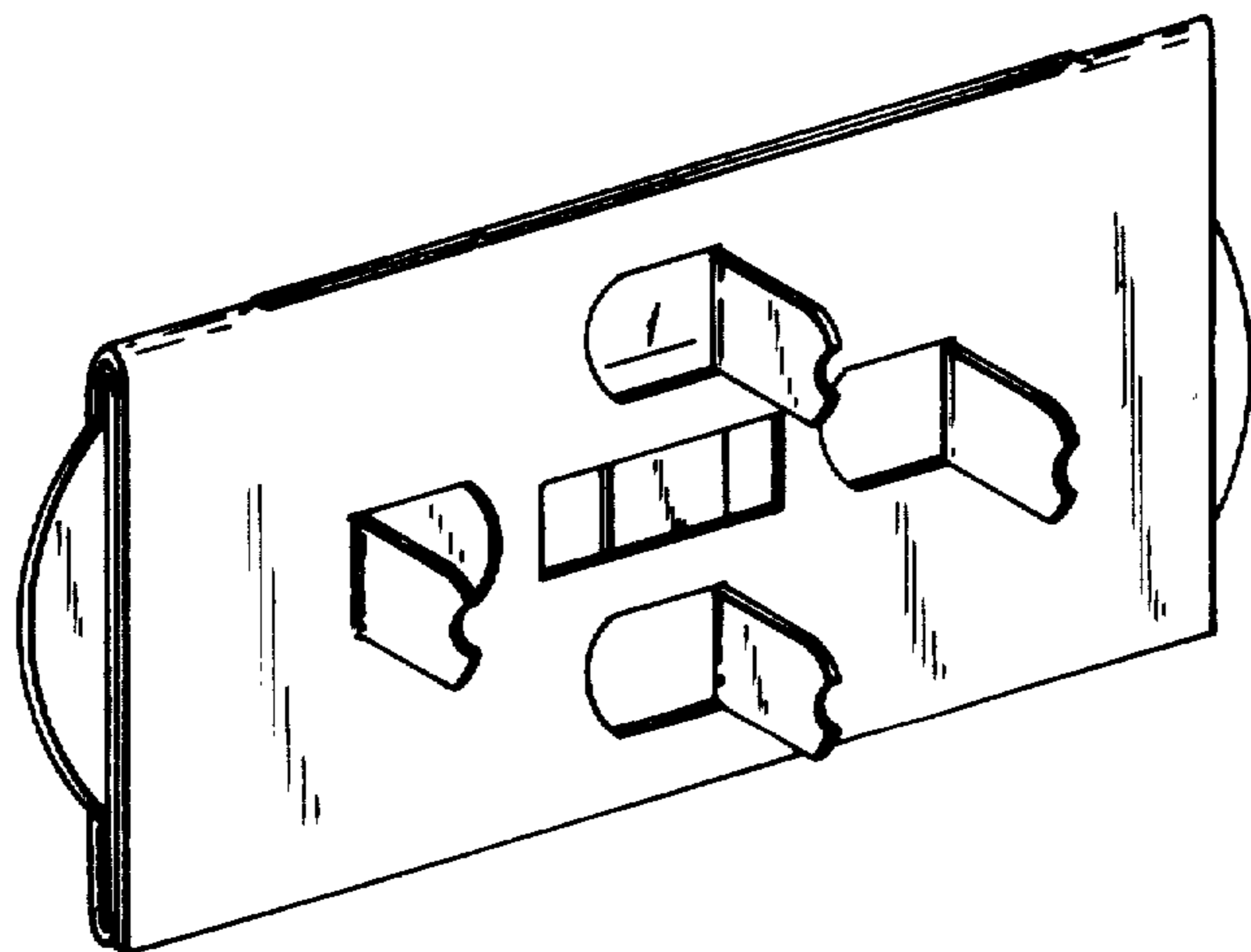


FIG. 1

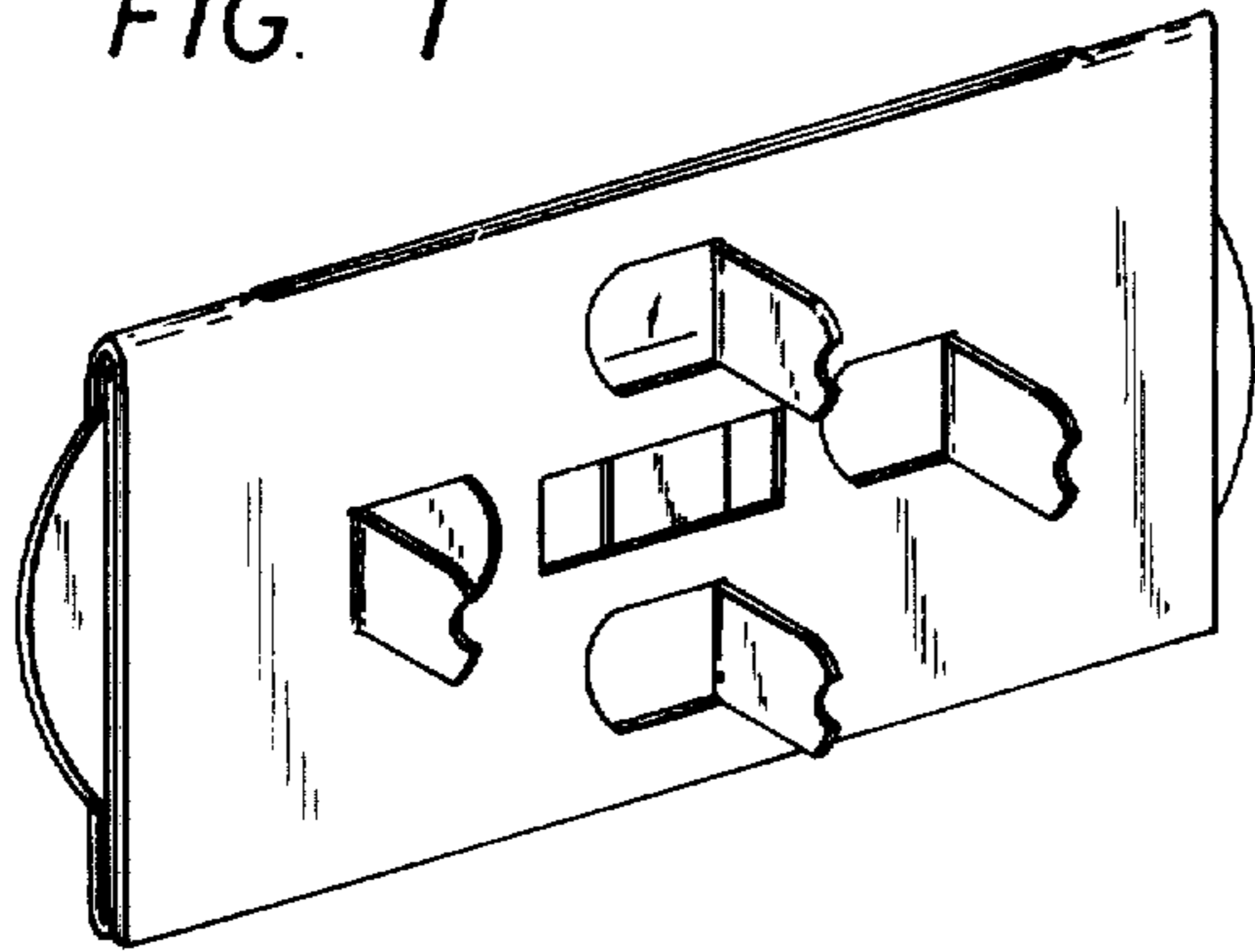


FIG. 3



FIG. 2

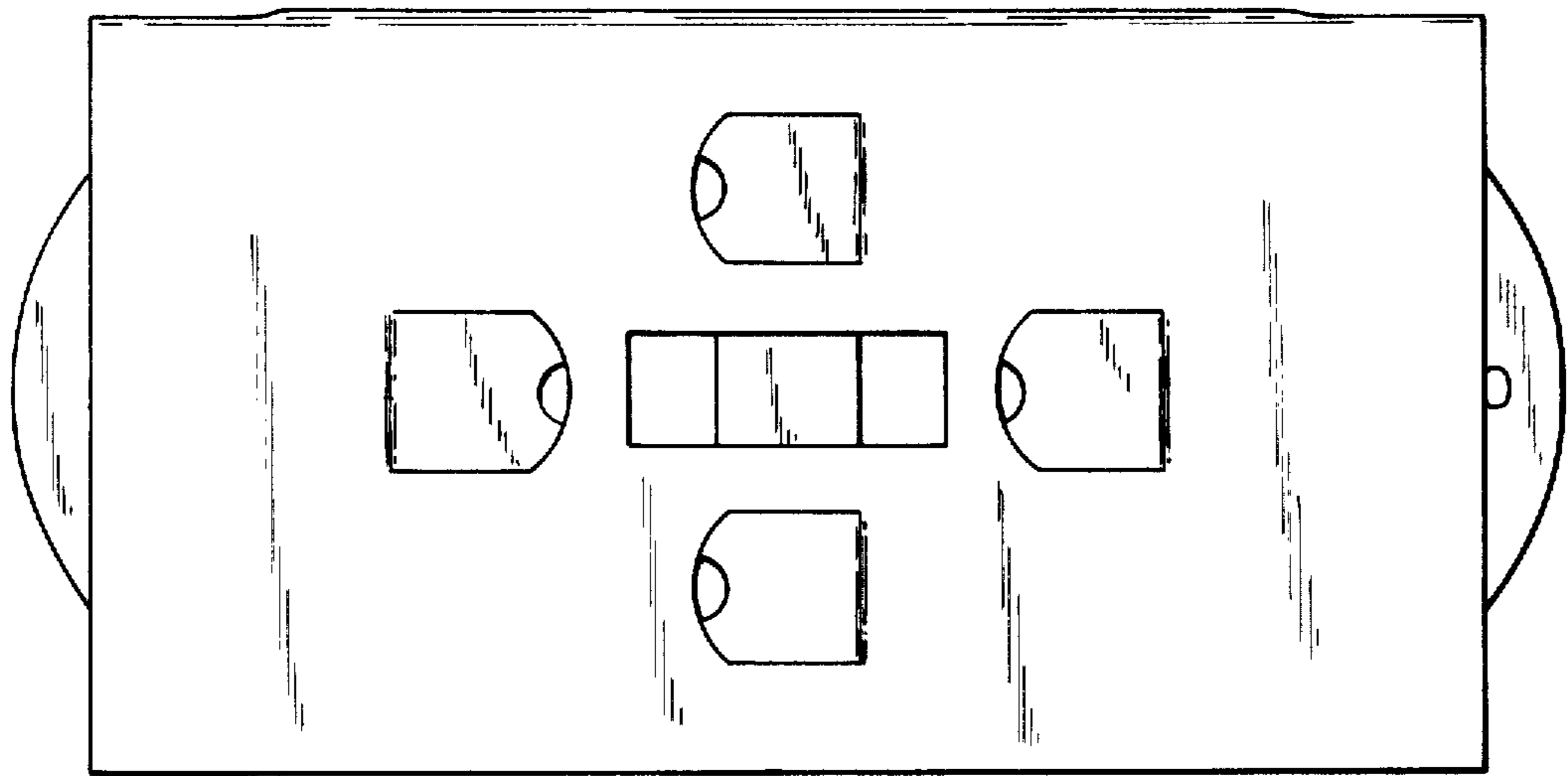


FIG. 4

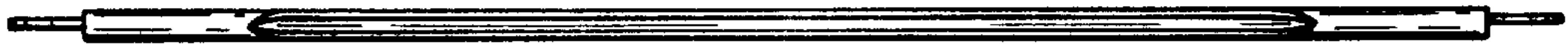


FIG. 5

